



## **DAKE FG-75 Belt Grinder Instructional Manual**



**1809 Industrial Park Dr.  
Grand Haven MI, 49417**

**Phone: 1-800-987-3253  
E-mail: [customerservice@dakecorp.com](mailto:customerservice@dakecorp.com)**

## TABLE OF CONTENTS

DAKE STANDARD LIMITED WARRANTY .....	3
RETURN & REFUND POLICY .....	5
DAKE STANDARD TERMS & CONDITIONS OF SALE .....	6
SPECIFICATIONS .....	11
UNCRATING & ASSEMBLY .....	13
MAINTENANCE .....	26
REMOVING THE BELT .....	27
REPLACING THE BELT .....	34
TROUBLE SHOOTING .....	38
ELECTRICAL DIAGRAM.....	38
EXPLODED PARTS VIEW.....	39
PARTS LIST.....	40



## DAKE STANDARD LIMITED WARRANTY

### **Finished Machines**

Dake warrants to the original purchaser the finished machine manufactured or distributed by it to be free from defects in material and workmanship under normal use and service within 1 year (12 months) from the delivery date to the end user.

### **Parts**

Dake warrants to the original purchaser the component part manufactured or distributed by it to be free from defects in material and workmanship under normal use and service within 30 days from the delivery date to the end user. The standard limited warranty includes the replacement of the defective component part at no cost to the end user.

### **Sale of Service (Repairs)**

Dake warrants to the original purchaser the component part repaired by Dake Corporation at the manufacturing facility to be free from defects in material and workmanship under normal use and service within 90 days from the return date to the end user, as it pertains to the repair work completed. The standard limited warranty includes repair of the defective component part, at no cost to the end user.

### **Warranty Process**

Subject to the conditions hereinafter set forth, the manufacturer will repair or replace any portion of the product that proves defective in materials or workmanship. The manufacturer retains the sole right and option, after inspection, to determine whether to repair or replace defective equipment, parts or components. The manufacturer will assume ownership of any defective parts replaced under this warranty.

All requested warranty claims must be communicated to the distributor or representative responsible for the sale. Once communication has been initiated, the Warranty Representative at Dake Customer Service must be contacted for approval:

Phone: (800) 937-3253

Email: [customerservice@dakecorp.com](mailto:customerservice@dakecorp.com)

When contacting Dake, please have the following information readily available: - Model #  
- Serial # - Sales Order #

Purchasers who notify Dake within the warranty period will be issued a Case number and/or a Return Material Authorization (RMA) number. If the item is to be returned per Dake's request, the RMA number must be clearly written on the exterior packaging. Any item shipped to Dake without an RMA will not be processed.

**Warranty Exceptions:**

The following conditions are not applicable to the standard limited warranty:

- a) Part installation or machine service was not completed by a certified professional, and is not in accordance with applicable local codes, ordinances and good trade practices.
- b) Defects or malfunctions resulting from improper installation or failure to operate or maintain the unit in accordance with the printed instructions provided.
- c) Defects or malfunctions resulting from abuse, accident, neglect or damage outside of prepaid freight terms.
- d) Normal maintenance service or preventative maintenance, and the parts used in connection with such service.
- e) Units and parts which have been altered or repaired, other than by the manufacturer specifically authorized by the manufacturer.
- f) Alterations made to the machine that were not previously approved by the manufacturer, or that are used for purposes other than the original design of the machine.



## **RETURN & REFUND POLICY**

Thank you for purchasing from Dake! If you are not entirely satisfied with your purchase, we are here to help.

### **Returns**

All Dake manufactured / distributed machines and parts include a 30-day return option. These policies are valid from the date of final shipment to the end user.

To be eligible for a return, the item must be unused and in the same condition as received.

All requested warranty claims must be communicated to the distributor or representative responsible for the sale. Once communication has been initiated, Dake Customer Service must be contacted for approval by the distributor or representative: Phone: (800) 937-3253 Email: [customerservice@dakecorp.com](mailto:customerservice@dakecorp.com)

Once the return request has been approved by Customer Service, a representative will supply a Return Material Authorization (RMA) number. The returned item must have the provided RMA number clearly marked on the outside packaging. Any item received without an RMA number clearly visible on the packaging will not be processed. An RMA number can only be provided by the Dake Customer Service team and must be obtained prior to the return shipment.

The item must be shipped and received back to Dake within 30 days from being issued the RMA number, or the return will be void and nonreturnable.

### **Refunds**

Once the item has been received and inspected for damages, a representative will notify the requestor referencing the provided RMA number.

If the return is approved, a refund will be issued to the original method of payment, less a 20% restocking fee. The restocking fee may be waived if an order is placed at the time of return with like-value merchandise.

Transportation costs are the responsibility of the end user and will not be credited upon return approval.

Any item that is returned after the initial 30 days or has excessive/obvious use will not be considered for a full refund.



## DAKE STANDARD TERMS & CONDITIONS OF SALE

All proposals and quotations for the original sale of our products are subject to the following terms and conditions:

**ACCEPTANCE OF ORDER:** All orders are subject to acceptance by Dake at its main office in Grand Haven, Michigan.

**APPLICABLE LAWS:** This quotation or acceptance shall be governed in all respects by the laws of the State of Michigan.

**CANCELLATION:** We reserve the right to cancel and/or refuse to complete your order if, in our opinion, you have not established credit to promptly meet the payment terms of your order. Any cancellation from the Purchaser may be subject to a 10% cancellation fee for any of our standard machinery and/or component parts upon the discretion of Dake. All non-standard or special quotes will not be eligible for cancellation, nor returns.

**DELIVERY:** The proposed shipment date is an estimate and is contingent upon causes beyond Dake's control. Under no circumstances shall Dake have any liability for loss of use or for any direct or consequential damages resulting from delay. All shipments from the Dake facilities are F.O.B.

**FREIGHT CLAIM:** Lost or damage freight claims must be submitted to Dake within thirty (30) days of shipment from Dake's facility. If shipment for order was set up by the Purchaser, Dake is not liable to handle the freight claims.

**PERMITS AND COMPLIANCE:** Dake shall not be responsible for obtaining any permits, inspections, certifications, or licenses required for the installation or use of the equipment. Dake makes no promise or representation that the equipment or any services to be furnished by Dake will conform to any federal, state, or local laws, ordinances, regulations, codes or standards.

**PRICES:** Unless otherwise agreed to in writing, all prices are F.O.B. from our plants in Grand Haven, Michigan, Grand Prairie, Texas, and Riverside, CA. In any event, the quoted prices for component parts become invalid ten (10) days after date of quotation, and machinery may become invalid sixty (60) days after date of quotation. Unless otherwise specified in Dake's quotation, installation services and final on-site adjustments are not included in the quotation.







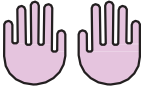



**TAXES:** Prices do not include taxes. If any sales, use or similar tax is payable to Dake in connection with any transaction or part thereof between the Purchaser and Dake with respect to goods delivered, the Purchaser will, upon demand, pay to Dake the amount of any such tax. If you are tax exempt, please include your exemption document when submitting your order.




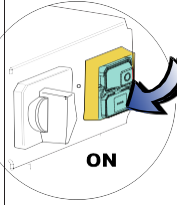
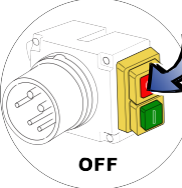
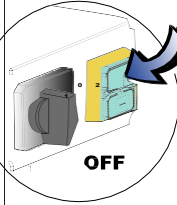


**TERMS OF PAYMENT:** Terms of payment are as stated in Dake's quotation subject to credit approval by our home office. Dake will invoice Purchaser when the equipment is completed and ready for shipment. Payment terms run from invoice date. Purchaser may be required to issue a down payment before production of order, at the discretion of Dake Accounting. For credit card purchases, a 2% processing fee may be applicable to the order. The following states are exempt from the 2% processing fee: CA, CO, KS, OK, TX, FL, NY, CT, MA, and ME.










**WARRANTY:** If, within a period of one (1) year from date of shipment of the original order, any part of any equipment sold by Dake is defective in material or workmanship and is so found after inspection by Dake, it will be replaced or repaired at the option of Dake, providing the equipment has been given normal and proper usage and is still the property of the original Purchaser. Purchased components such as Micro Drop mist system or the like, installed as a part of Dake equipment are warranted only to the extent of the original Manufacturer's warranty. Dake is not responsible for any service work performed unless authorized in advance.

**THE FOREGOING WARRANTY IS EXCLUSIVE AND IN LIEU OF ALL OTHER WARRANTIES WHETHER WRITTEN, ORAL, OR IMPLIED (INCLUDING ANY WARRANTY OF MERCHANTABILITY OR FITNESS FOR PARTICULAR PURPOSE). UNDER NO CIRCUMSTANCES SHALL DAKE BE LIABLE FOR ANY INCIDENTAL OR CONSEQUENTIAL DAMAGES**

	DANGER-WARNING!
	Note
	PROHIBITION
	Use of work gloves is prohibited
	Correct
	NOT correct
	USE
	MAINTENANCE
	Read the page identified by the symbol
	Measurements and distances to be observed

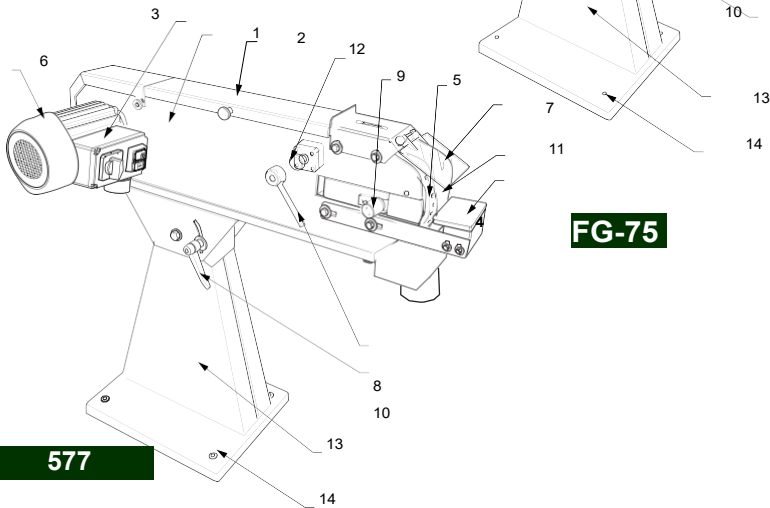
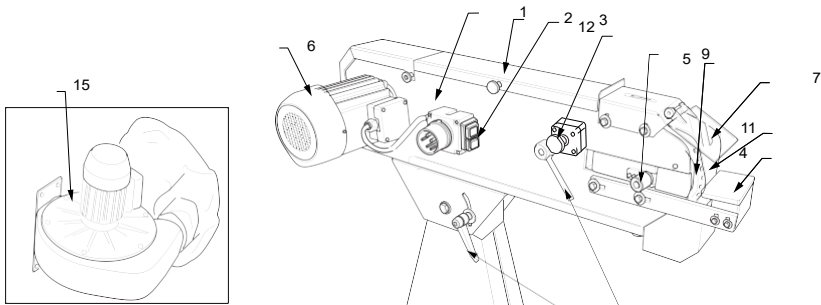


 <p><b>ON</b></p> <p><b>FG-75</b></p>  <p><b>ON</b></p> <p><b>577</b></p>	<p>SWITCH ON the machine</p>
 <p><b>OFF</b></p> <p><b>FG-75</b></p>  <p><b>OFF</b></p> <p><b>577</b></p>	<p>SWITCH OFF the machine</p>
	<p>Power</p>
	<p>Operation to be performed with CARE</p>

	<p>Operation to be performed with FORCE</p>
	<p>Voltage/Frequency</p>
	<p>Speed</p>
	<p>Noise</p>
	<p>Weight</p>
	<p>ADJUSTMENTS</p>
	<p>ASSEMBLY</p>
	<p>Operations using the SANDER</p>
	<p>Object to be RECYCLED</p>

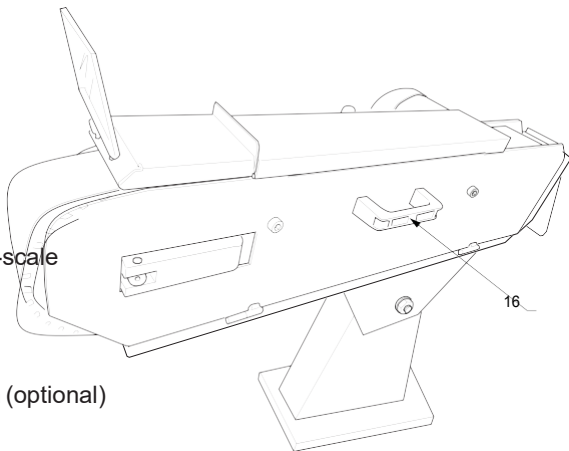
## SPECIFICATIONS

<b>Model Number</b>	961003
<b>Machine Type</b>	Horizontal Mounted Belt Grinder
<b>Belt Size</b>	3" x 79"
<b>Horsepower</b>	4 HP
<b>Contact Wheel Size</b>	3" x 8"
<b>Belt Speed</b>	6,600 FPM
<b>Grinding Plane</b>	3" x 21"
<b>Electrical Components</b>	CE Approved
<b>Weight</b>	139 lbs.
<b>Work Height</b>	22" - 48"
<b>Base Dimensions</b>	17" x 21"
<b>Machine Width</b>	22"
<b>Machine Length</b>	39"
<b>Overall Height</b>	43"
<b>Voltage</b>	Available 230V 3-Phase Available 460V 3-Phase (required extra external transformer). *A qualified Electrician should wire machine to main service.

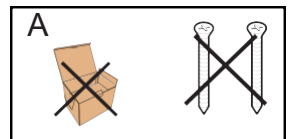
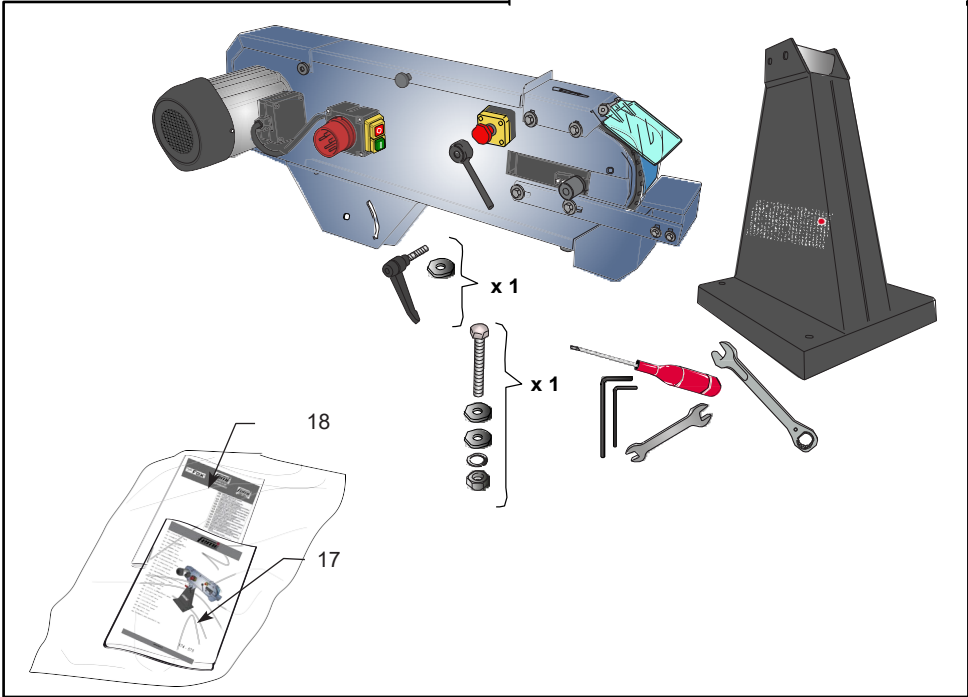
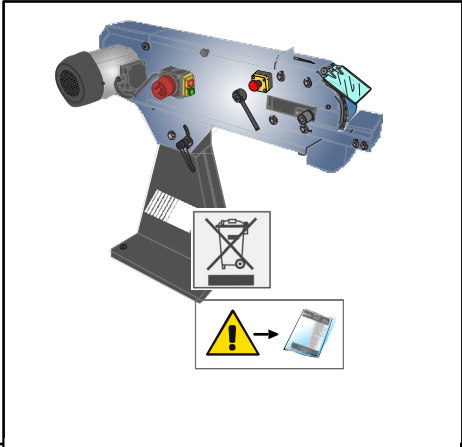
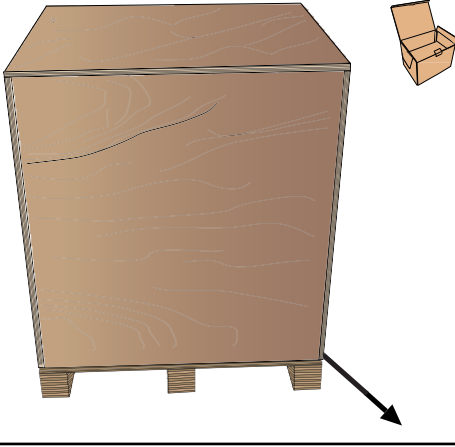


**FG-75**

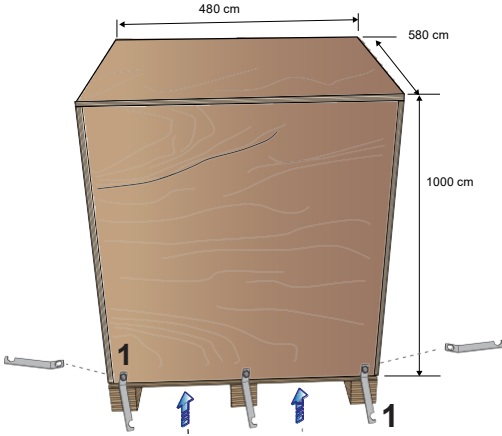
1. Machine body
2. Movable guard
3. ON/OFF switch
4. Support surface
5. Rubber-coated pulley
6. Motor
7. Adjustable safety shield
8. Quick locking lever
9. Belt adjustment knob
10. Lever to unblock graduation-scale
11. Belt
12. Emergency stop
13. Base
14. Fixing holes
15. Integrated extraction system (optional)
16. Handle
17. User Manual



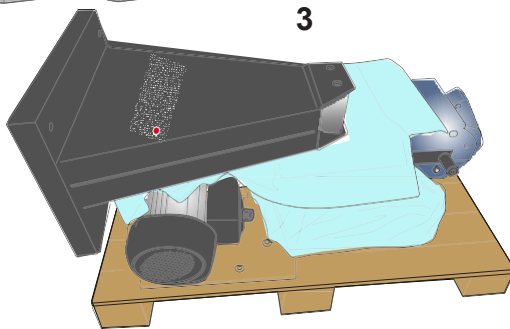
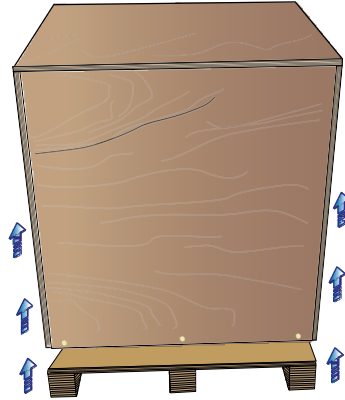
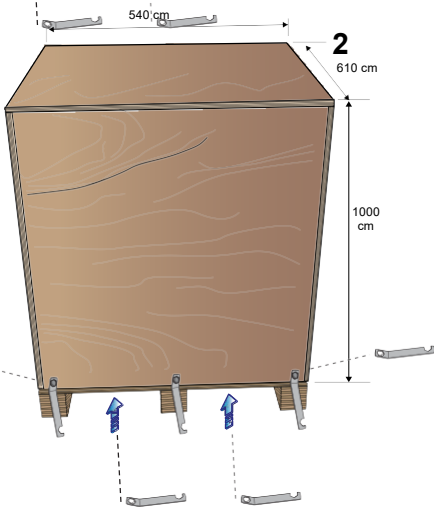
# UNCRATING & ASSEMBLY

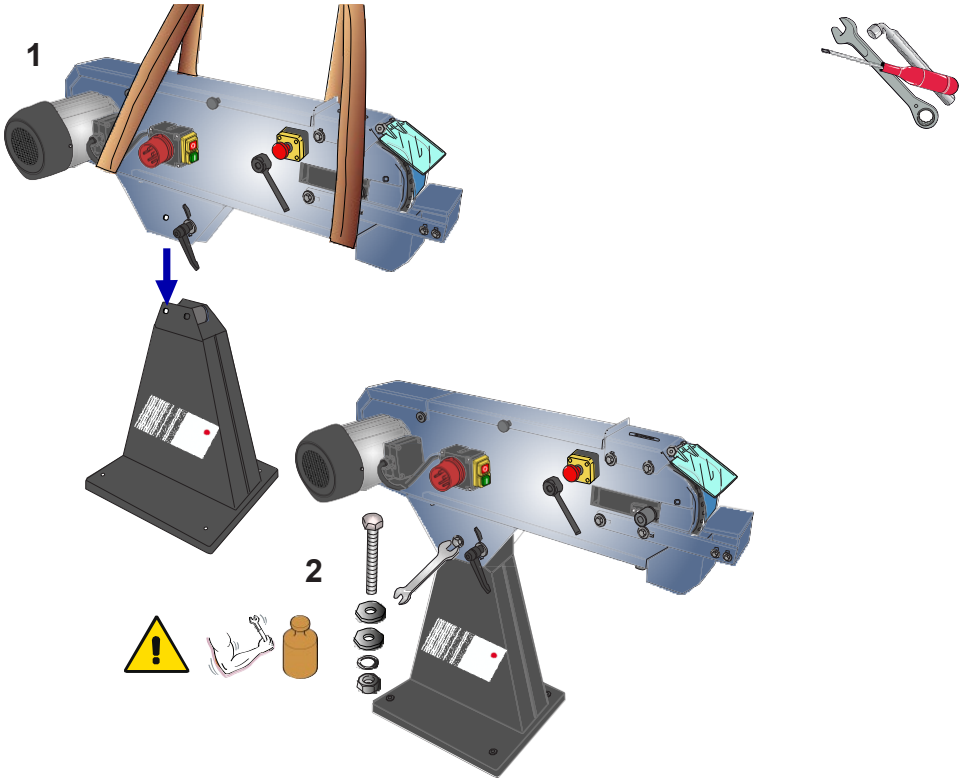


**FG-75**

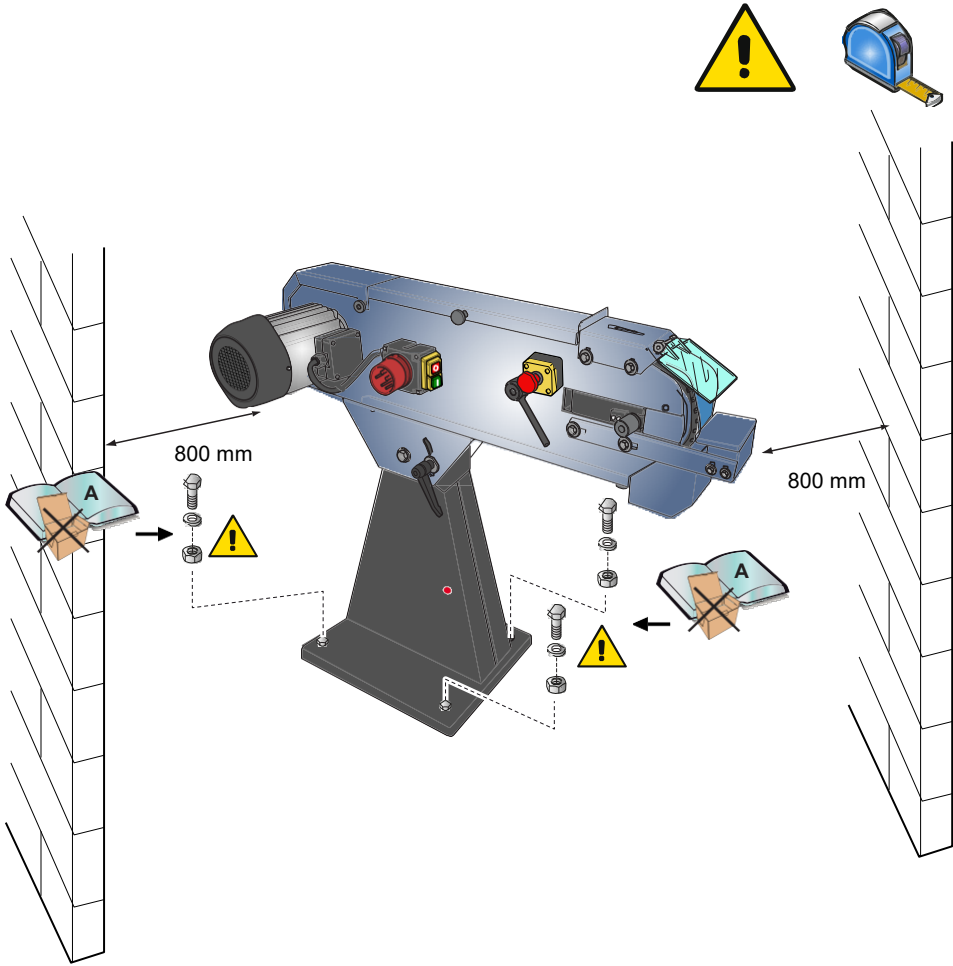


**577**





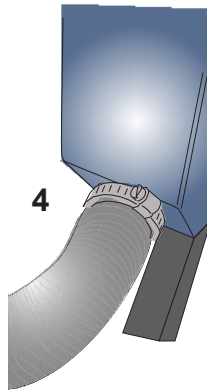
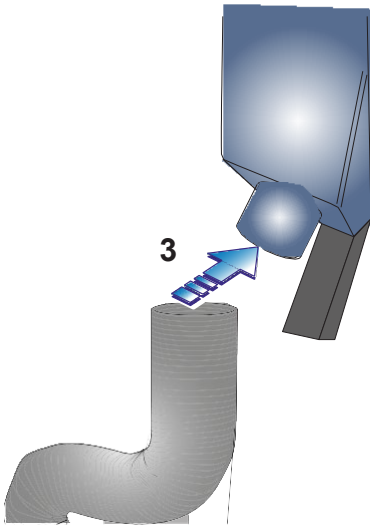
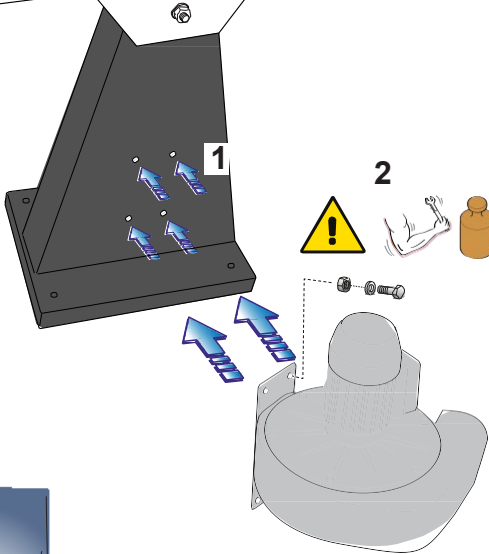
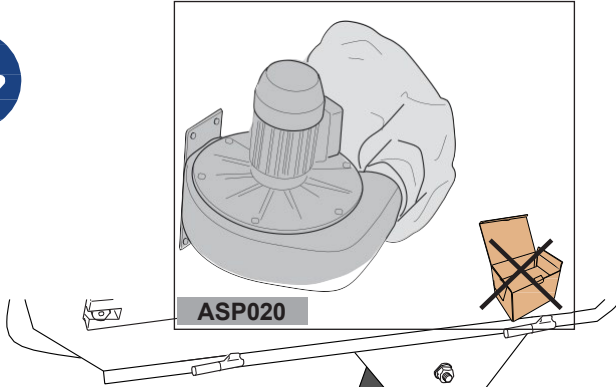
	<p>Use personal protective equipment</p>
<p>S/N: 3G[AAAA]NNNLL XXXX</p>	<p>Serial number and Year of manufacture</p>

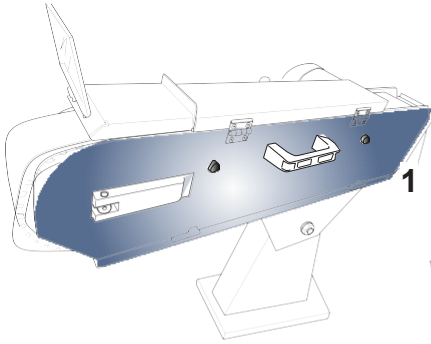




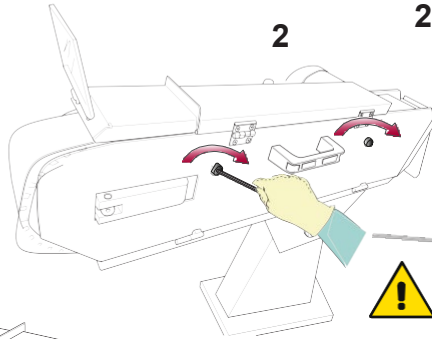


**FG-75**



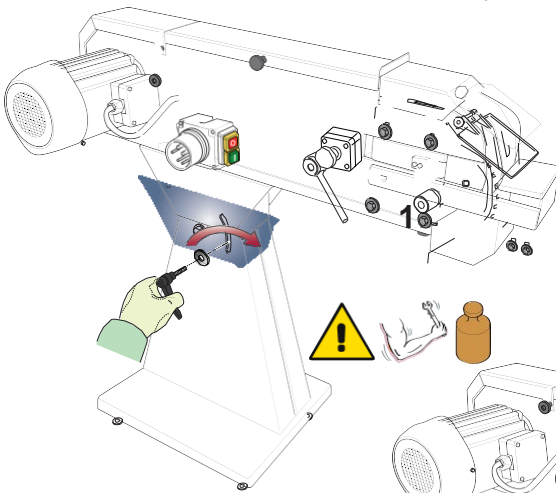


1

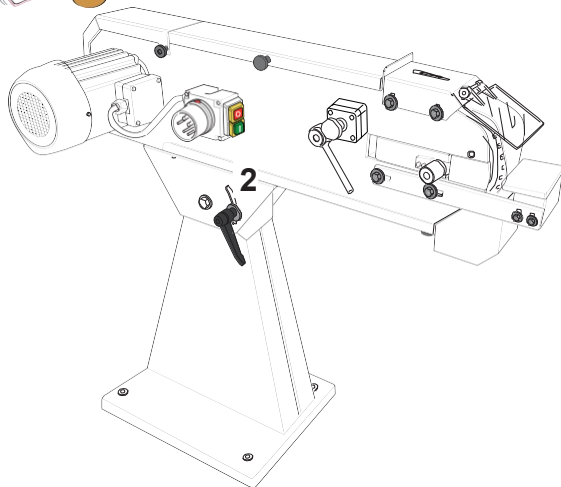


2

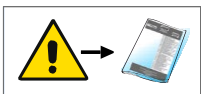
2

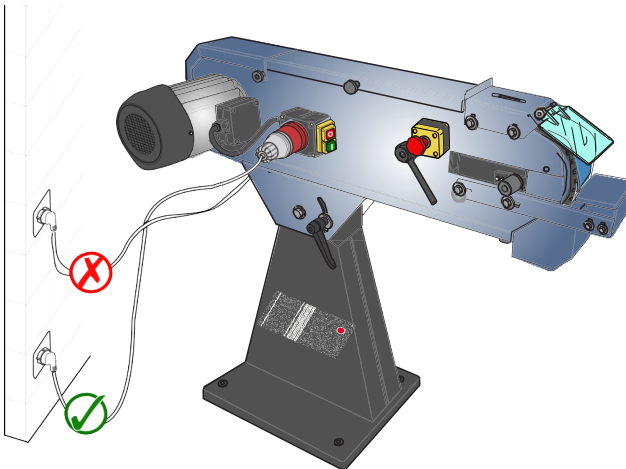
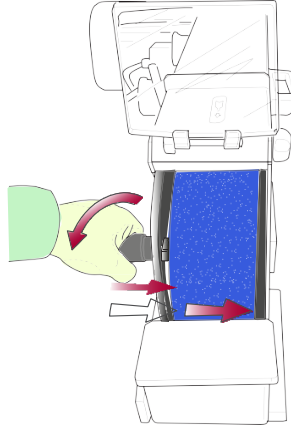
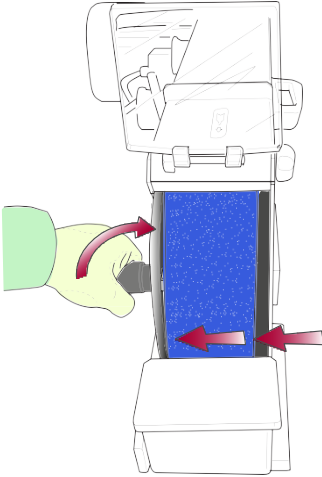
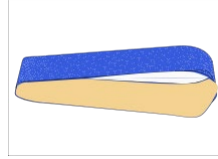


1



2





**PERMITTED USE**

**USE** The machine has been designed and built to perform operations involving the removal of material (such as smoothing, sanding, grinding or sharpening) on any type of metal or similar materials, with the workpiece being held in the hands.

**FORBIDDEN USE**

It is forbidden to:

- OPERATE ON NON-METALS, ORGANIC MATERIALS AND/OR FOOD STUFFS.
- OPERATE ON MATERIALS WHICH MAY RELEASE TOXIC SUBSTANCES DURING THE WORK PROCESS.



THIS MACHINE IS NOT SUITABLE FOR USE IN POTENTIALLY EXPLOSIVE ENVIRONMENTS.

**RESIDUAL RISKS****Friction or abrasion hazard**

This risk is due to the presence of the rotating tool.

***Precautions to be taken***

- When working with the tool do not wear work gloves.
- Keep hands away from the work area.
- Never remove cutting residues or workpiece fragments when the tool is rotating.

**Solid material ejection hazard**

This risk is due to the presence of the rotating tool.

***Precautions to be taken***

- When working with the tool, always wear the necessary personal protective equipment: safety goggles, safety shoes.

**INFORMATION CONCERNING NOISE**

The noise values indicated are emission levels and not necessarily safe operating levels. While there is a correlation between emission levels and exposure levels, this cannot reliably be used to determine whether or not further safety precautions are needed. Factors which influence the real level of a worker's exposure include the duration of exposure, the characteristics of the working environment, other sources of noise, for example the number of machines or operations being carried out in the near vicinity. Furthermore, levels of safe exposure may be fixed differently from one country to another. This information does however help the machine user to better assess the hazards and risks.



IT IS ADVISABLE TO USE SUITABLE HEARING PROTECTION SUCH AS EARMUFFS OR EARPLUGS.

**INFORMATION ON ELECTROMAGNETIC COMPATIBILITY**

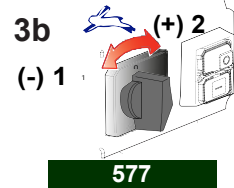
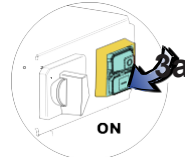
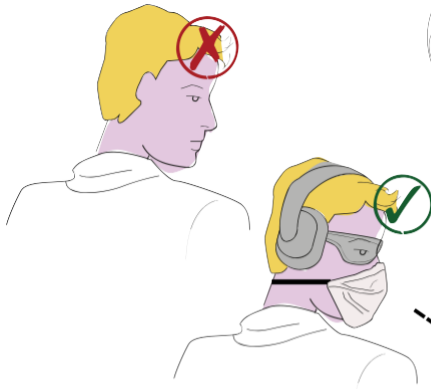
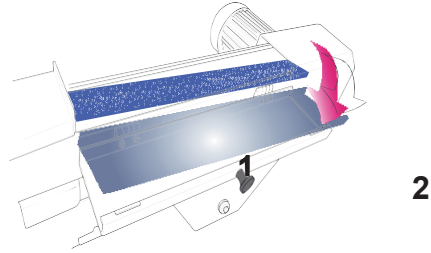
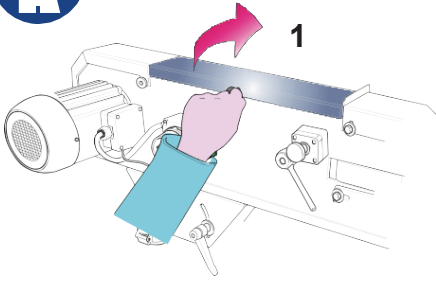
Electromagnetic emissions from the machine do not exceed the limits defined by the relative standards for the envisaged conditions of use.



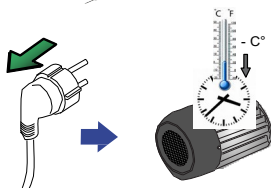
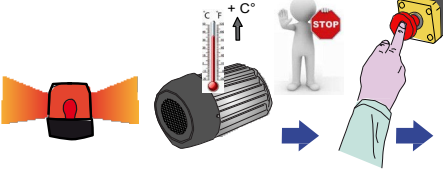
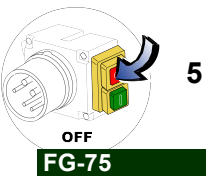
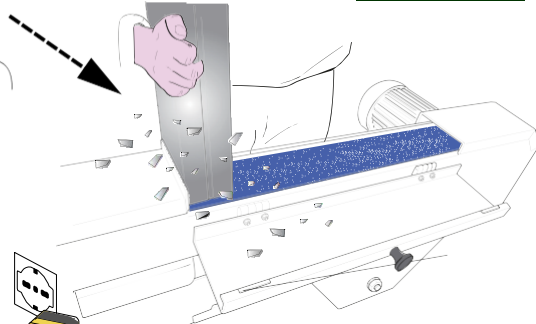
CHECK THAT THE POWER SUPPLY SYSTEM IS EQUIPPED WITH A THERMOMAGNETIC CIRCUIT BREAKER TO PROTECT ALL CONDUCTORS FROM SHORT CIRCUIT AND OVERLOADS.

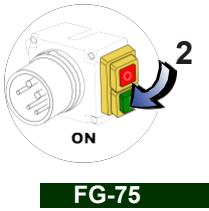
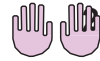
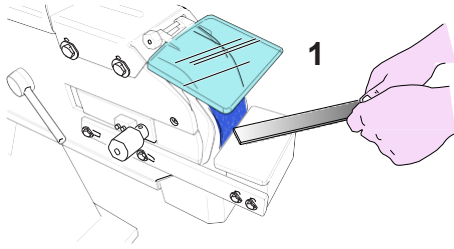


**FG-75**

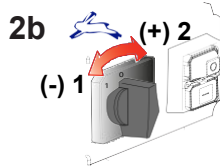
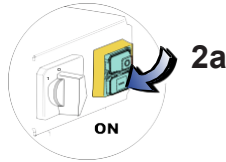


4

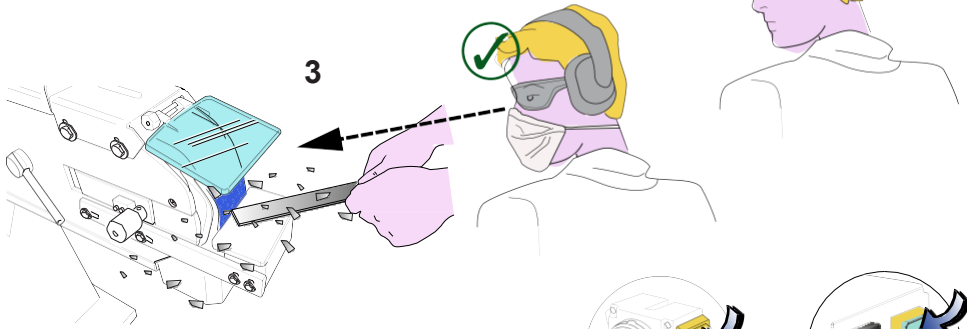




**FG-75**

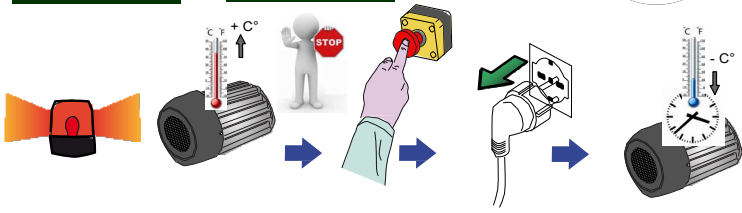
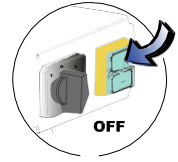
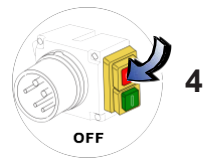


**577**



**FG-75**

**577**



## MAINTENANCE

 **BEFORE PERFORMING ANY MAINTENANCE WORK, STOP THE MACHINE AND LET IT COOL DOWN.**



 Wear protective gloves.

### Operation which can be carried out by the operator:


Check the off button ..... every 8 hr  
 Check the control devices ..... every 8 hr  
 Visually check integrity of the guards ..... every 8 hr

### Operation which can be carried out by the maintenance technician:

Internal check of the motor's compartment ..... every 160 hr  
 Check electrical equipment ..... every 480 hr  
 Check the motor's electrical insulation ..... every 960 hr

## CLEANING



 **BEFORE PERFORMING ANY CLEANING WORK, STOP THE MACHINE AND LET IT COOL DOWN.**

 Wear protective gloves.

### Operation which can be carried out by the operator:

Clean the devices of the various units with a vacuum cleaner or brush to remove product residues ..... every 8 h  
 Clean the transparent methacrylate guard with a cloth and antistatic detergent. every 8 h

### Lubrication operations:

Lubricate column, rack, chuck. if necessary

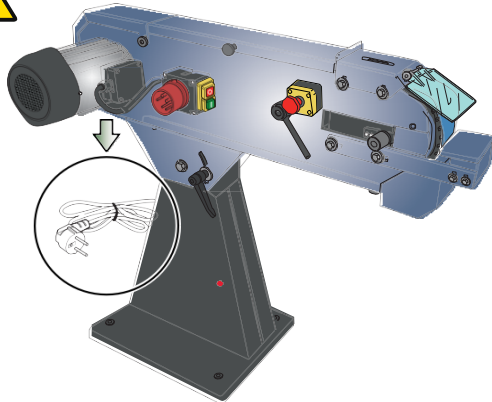
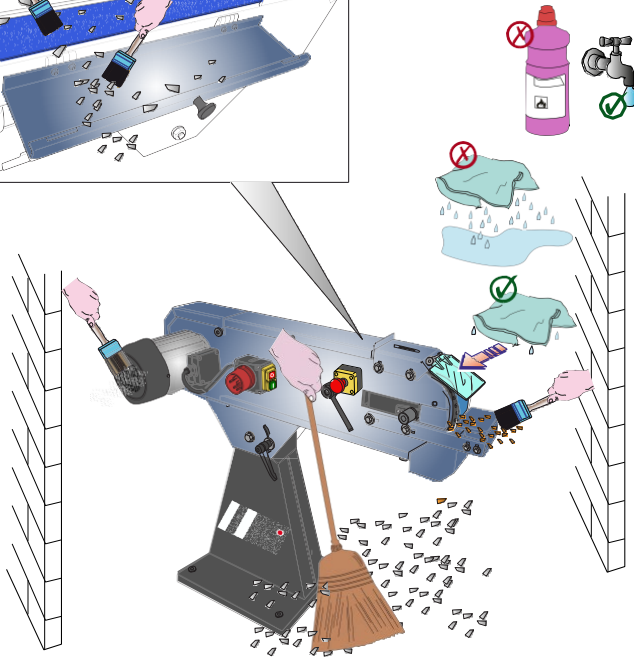
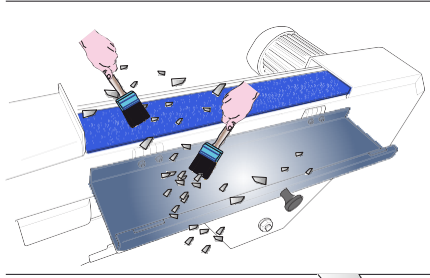
## CHECKS



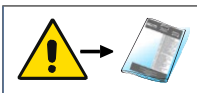
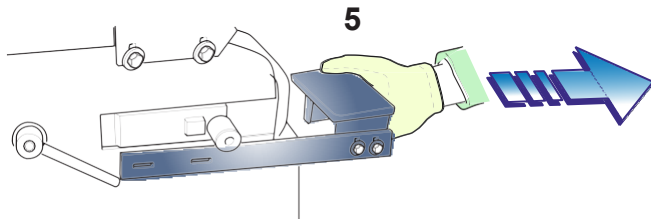
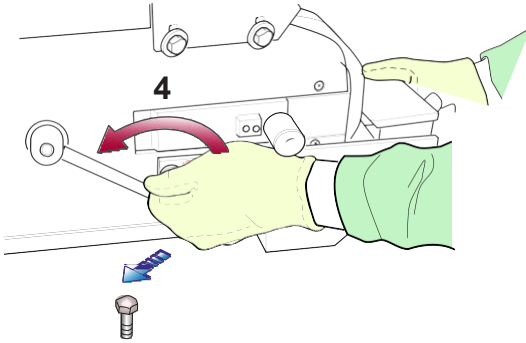
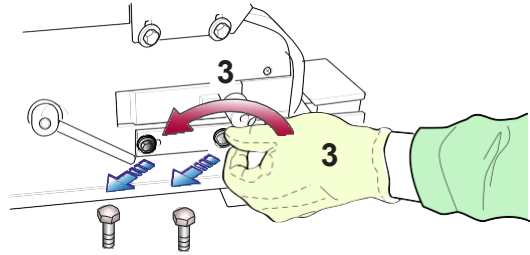
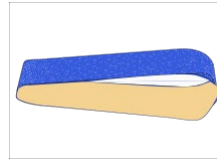
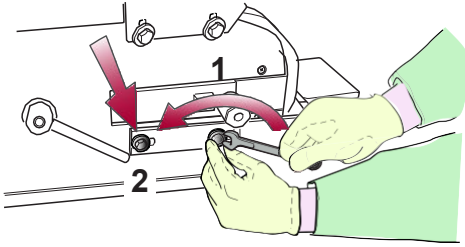
### Every day:

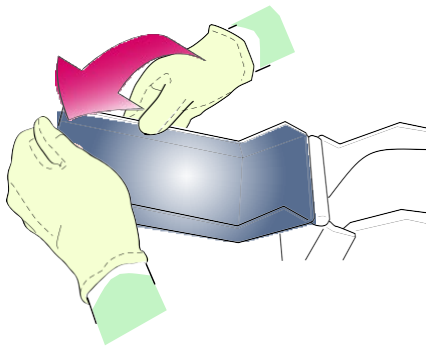
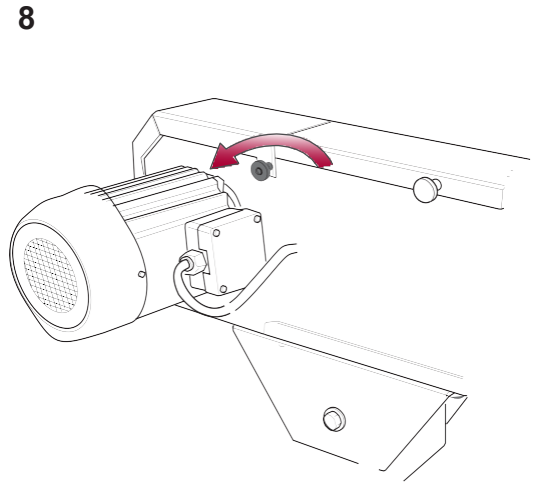
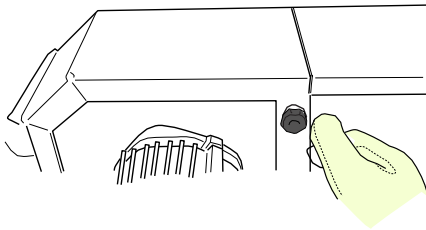
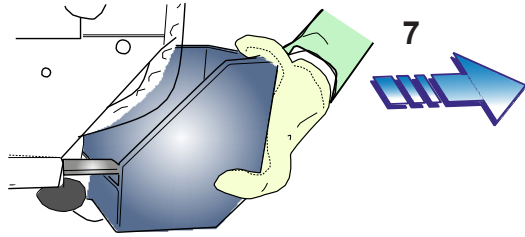
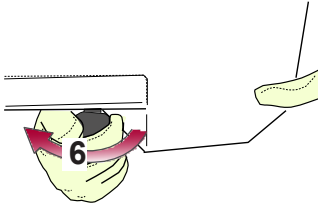
1. Check that the power cable is intact.
2. Check that all guards are intact.

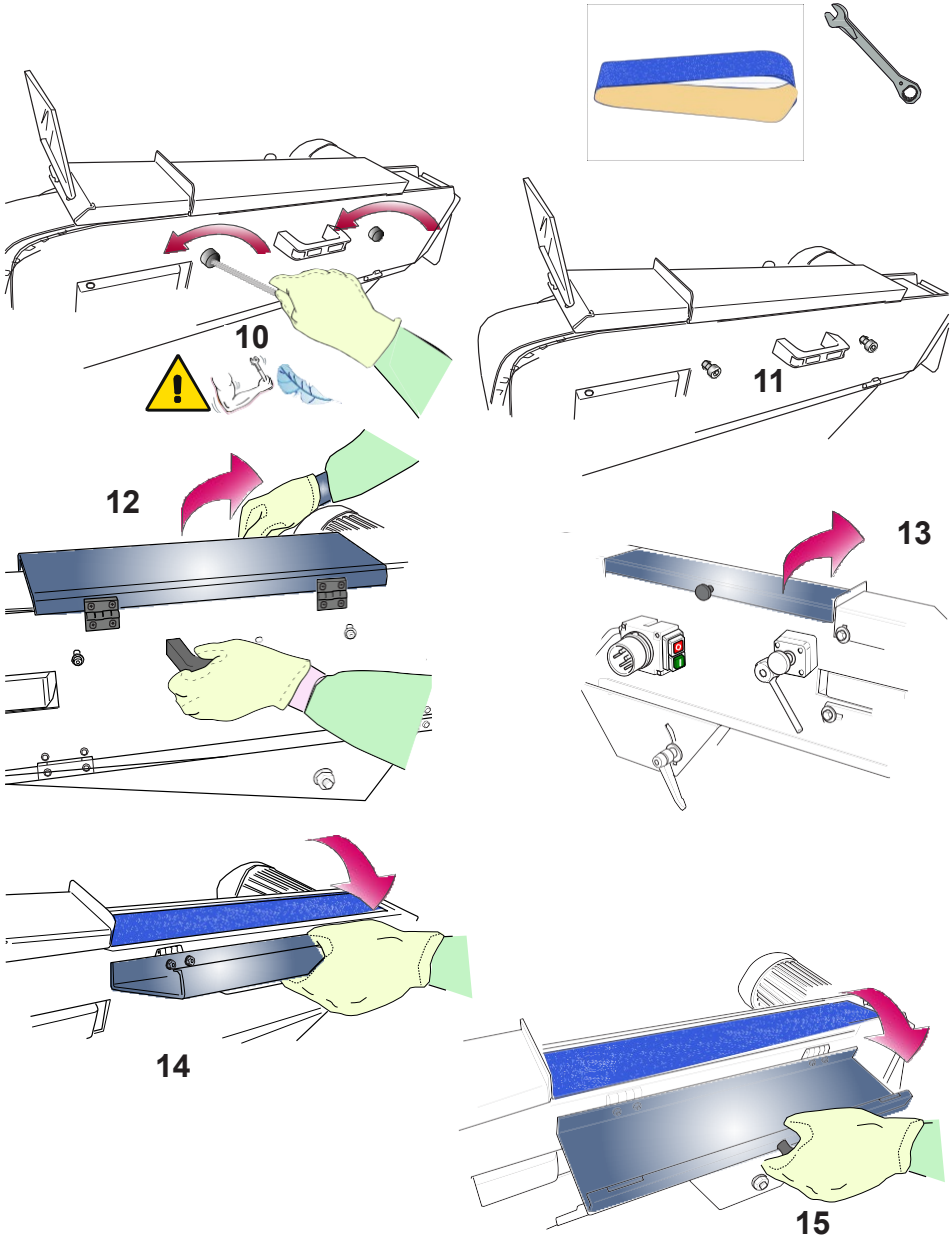
## REMOVING THE BELT

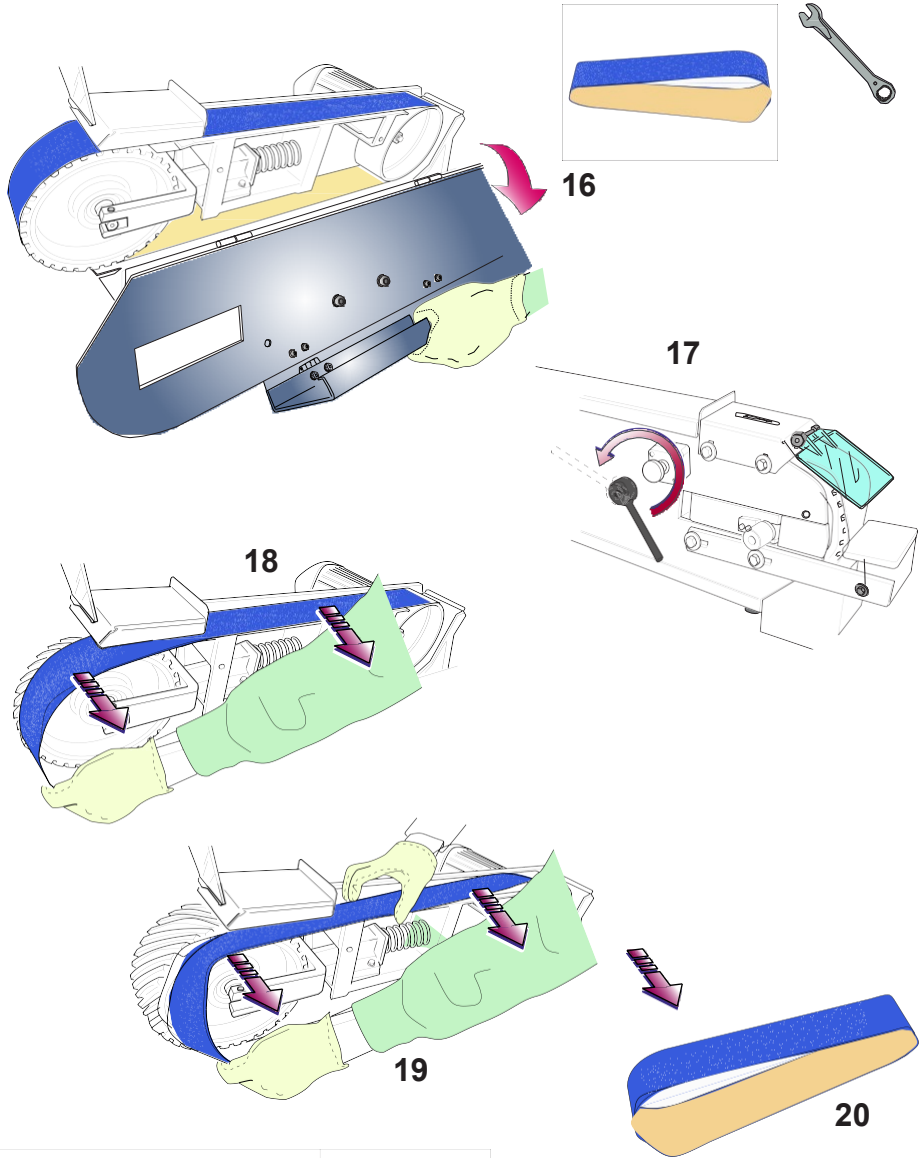




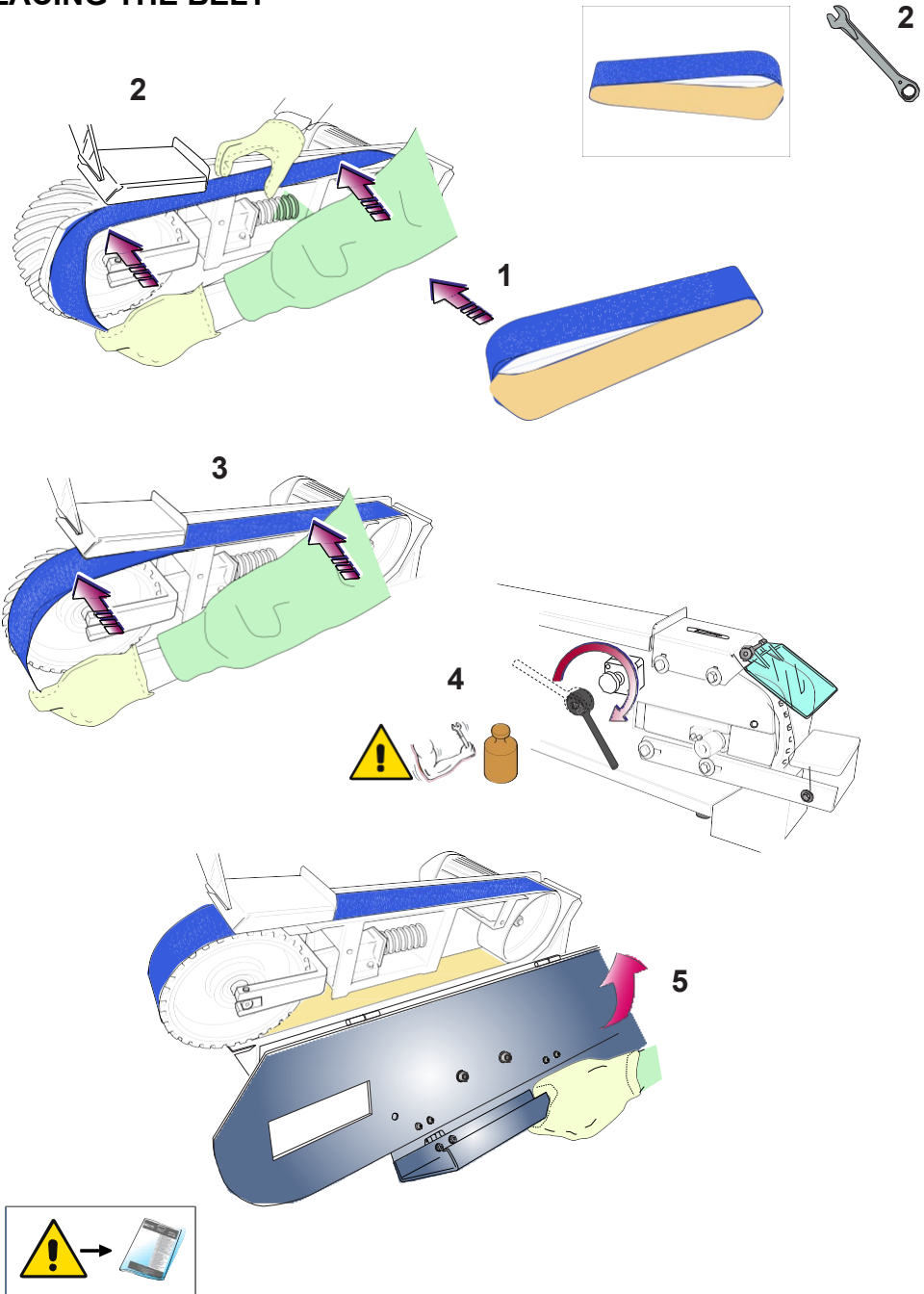


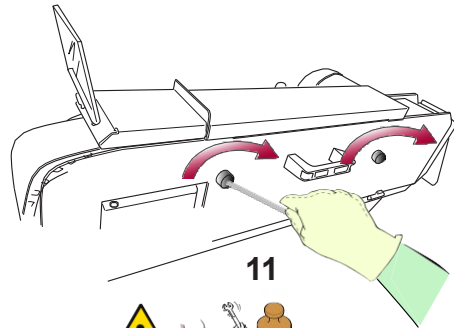
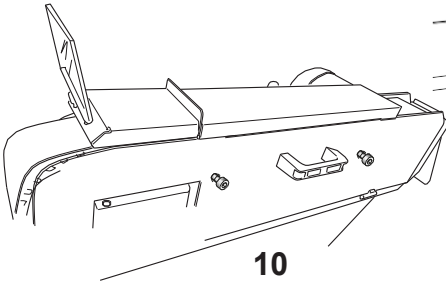
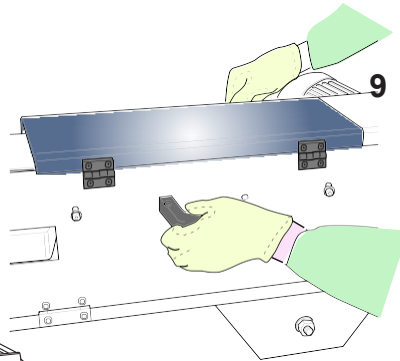
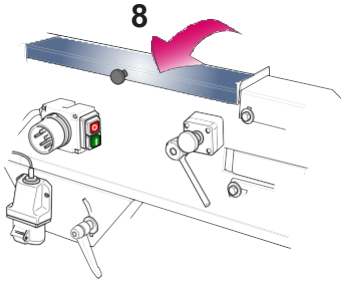
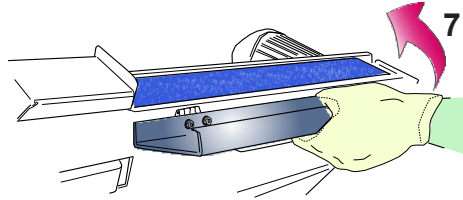
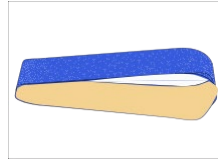
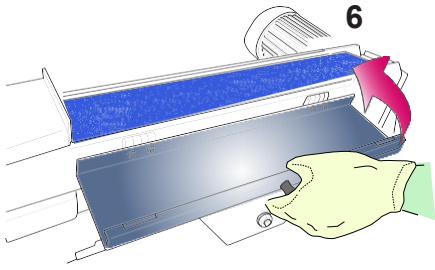




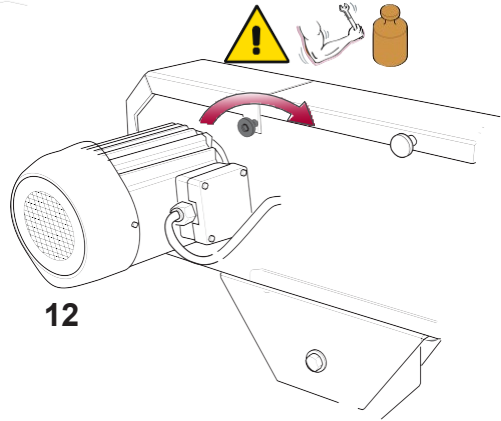
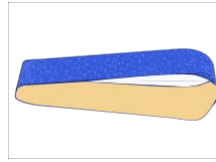
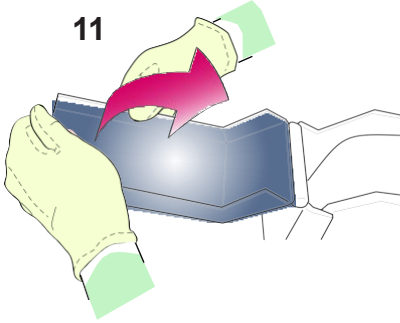


## REPLACING THE BELT

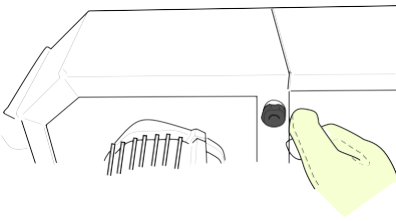




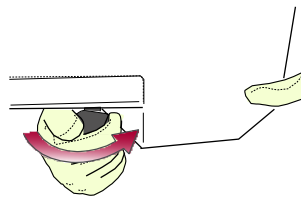
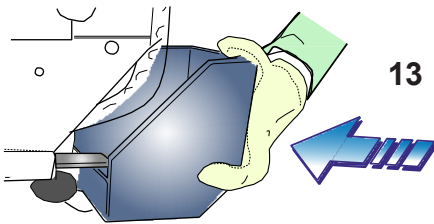
11



12

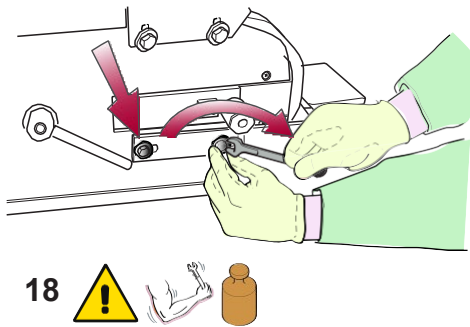
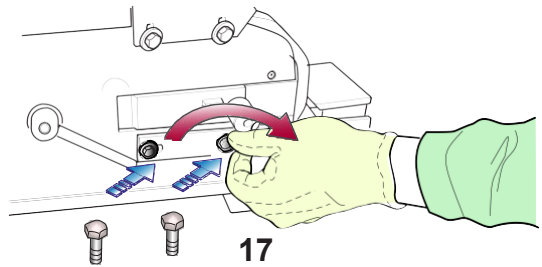
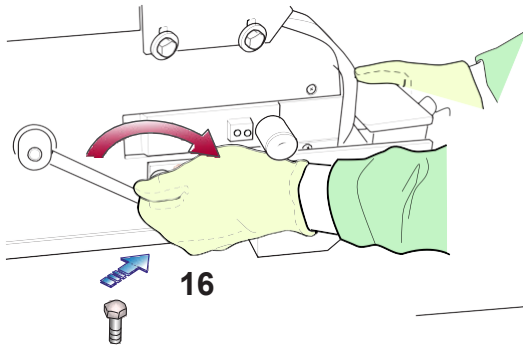
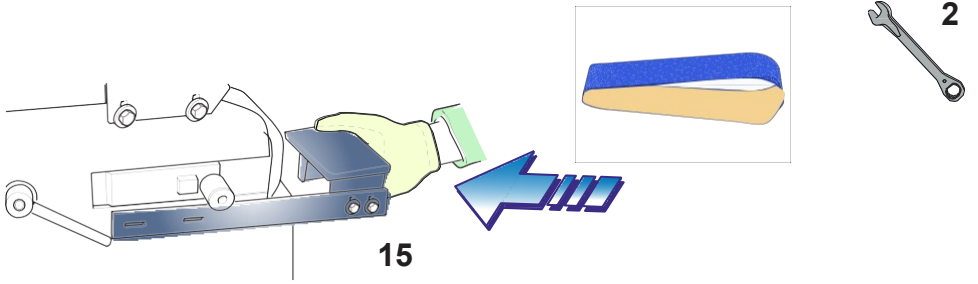


13



14



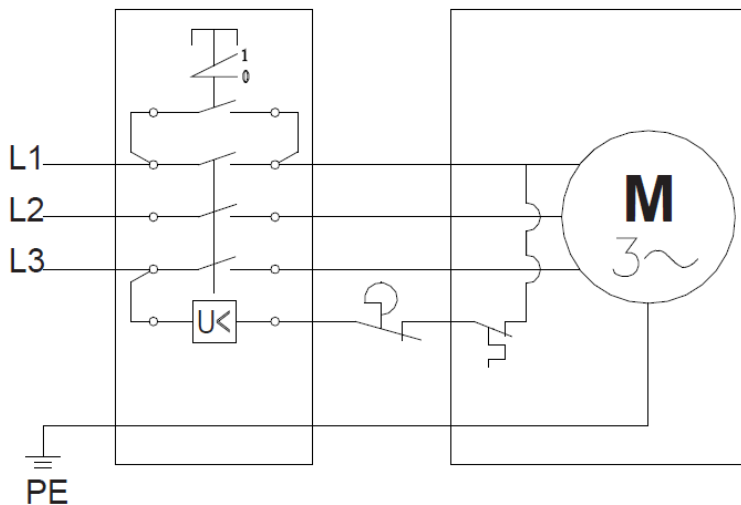




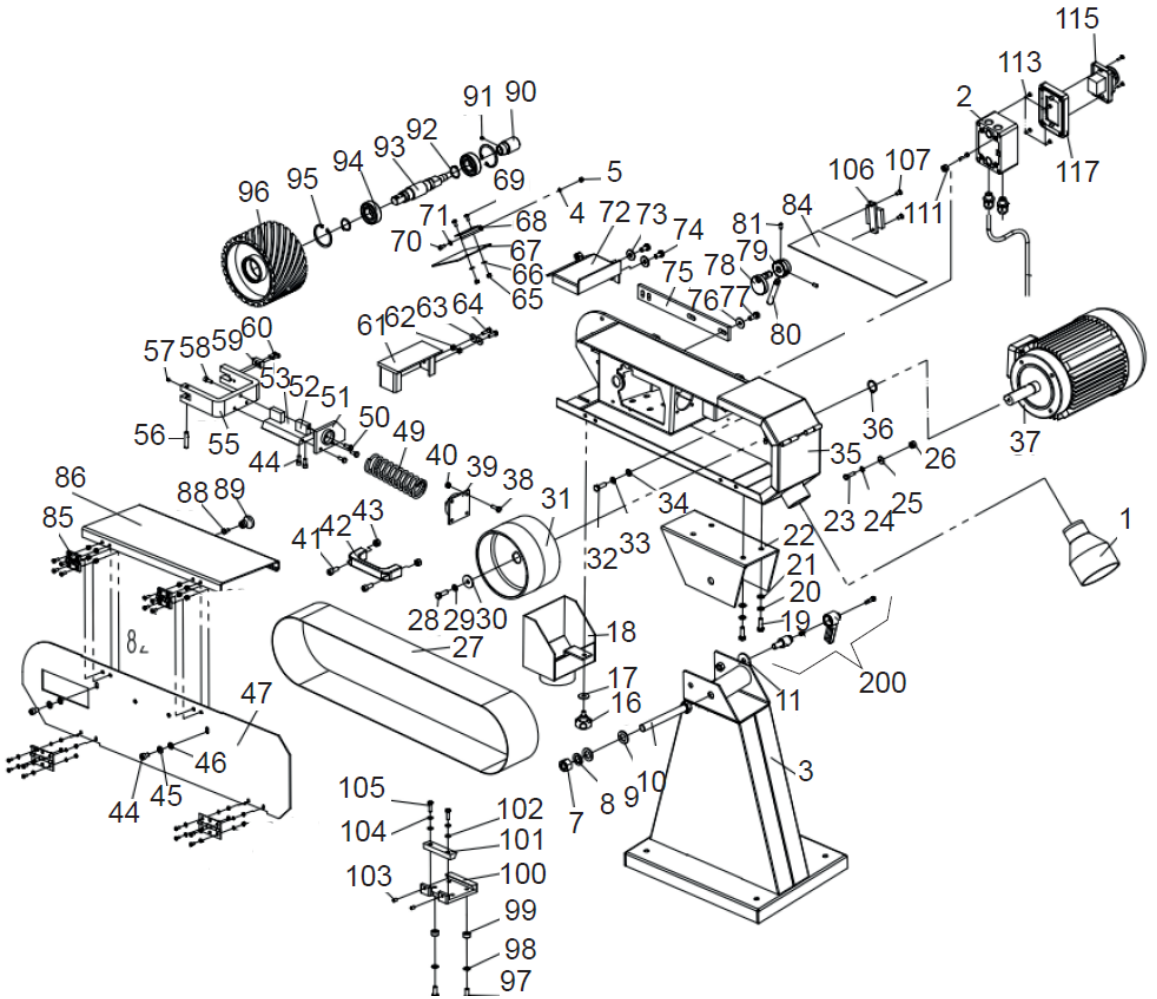
PROBLEM / FAULT	PROBABLE CAUSE	SUGGESTED REMEDY
The motor is not working properly.	1. Faulty motor, power cable or plug. Blown	1. Have the motor checked by expert personnel.
The motor starts slowly or does not reach operating speed	1. Low powersupply voltage. 2. Damaged windings	1. Have the motor checked by expert personnel. <b>DANGER - WARNING NEVER ATTEMPT TO REPAIR THE MOTOR YOURSELF: IT COULD BE DANGEROUS.</b> Check the fuses and replace them if necessary.
The motor is making too much noise	1. Faulty motor. Damaged	1. Have the machine motor checked by expert personnel.
The motor does not reach full power	1. Mains system circuits overloaded by lights, utilities or other	1. Avoid using utilities or other motors on the same circuit to which the machine is connected.
The motor tends to overheat	1. Motor overload.	1. Avoid overloading the motor during cutting operations.

## ELECTRICAL DIAGRAM

230 V / Hz 60



## EXPLODED PARTS VIEW



**PARTS LIST**

ITEM	Description	REF. NO.
1		8265020-1
2		8265040-2
3	Base	8265040-3
7		8265020-7
8		8265020-8
9		8265020-9
10		8265020-10
11		8265020-11
16	Locking Knob	8265020-16
17		8265020-17
18	Spark Protection	DPN:303976
19		8265020-19
20		8265020-20
21		8265020-21
22	Floating Base	8265040-22
23		8265020-23
24		8265020-24
25		8265020-25
26		8265020-26
27	Belt, 3" x 79" 60 Grit	DPN: 77021
28		8265020-28
29		8265020-29
30		8265020-30
31	Drive Pulley	8265020-31
32		8265020-32
33		8265020-33
34		8265020-34
35	Body	8265040-35
36		8265020-36
37	Motor 230V	8265040-37
38		8265020-38
39		8265020-39
40		8265020-40
41		8265020-41
42	Lever	8265020-42
43		8265020-43
44	Locking Knob	8265020-44
45		8265020-45
46		8265020-46
47		8265040-47
48		8265020-48
49	Spring	8265020-49
50		8265020-50
51	Spring Guide	8265020-51
52	Tensioner Plate	8265020-52
53	Tensioner Guide	8265020-53
54		8265020-54
55	Drive Wheel Support	8265020-55
56		8265020-56
57		8265020-57
58		8265020-58

ITEM	Description	REF. NO.
59	Locking Plate	8265020-59
60		8265020-60
61	Upper Closure Protection	8265040-61
62		8265020-62
63		8265020-63
64		8265020-64
65		8265020-65
66		8265020-66
67	Spark Protector	DPN: 303997
68	Spark Protector Support	8265020-68
69		8265020-69
70		8265020-70
71		8265020-71
72	Rear Protection	8265040-72
73		8265020-73
74		8265020-74
75	Rear Plate	8265020-75
76		8265020-76
77		8265020-77
78		8265020-78
79		8265020-79
80	Eccentric Lever	8265020-80
81		8265020-81
84	Wear Strip	DPN: 303965
85		8265020-85
86		8265040-86
87		8265020-87
88		8265020-88
89	Knob	8265020-89
90	Belt Adjustment Knob	8265020-90
91	Set Screw (M6x6)	8265020-91
92		8265020-92
93	Adjustment Shaft	8265020-93
94		8265020-94
95		8265020-95
96	Drive Pulley	DPN: 303966
97		8265020-97
98		8265020-98
99		8265020-99
100		8265020-100
101		8265020-101
102		8265020-102
103		8265020-103
104		8265020-104
105		8265020-105
106		8265020-106
107		8265020-107
111		8265020-111
113		8265040-113
115	Main Switch	8265040-115
117		8265040-117
200		8265020-200