



## DAKE SINGLE CYLINDER BENCHTOP IRONWORKER

# Model DIW-25

INSTRUCTIONAL MANUAL



### WARNING!

Read and understand all instructions and responsibilities before operating. Failure to follow safety instructions and labels could result in serious injury.

Dake Corporation  
1809 Industrial Park Dr  
Grand Haven, MI 49417

Phone: 800.937.3253

[www.dakecorp.com](http://www.dakecorp.com)

## TABLE OF CONTENTS

DAKE STANDARD LIMITED WARRANTY.....	2
RETURN & REFUND POLICY .....	4
SAFEGUARDING THE POINT OF OPERATION .....	5
DAKE STANDARD TERMS & CONDITIONS OF SALE .....	6
SPECIFICATIONS .....	7
SAFETY .....	7
SET UP .....	9
MACHINE PLACEMENT .....	9
FILLING THE MACHINE WITH OIL .....	10
MACHINE BREAKDOWN .....	10
OPERATION .....	11
CUTTING SECTIONS .....	12
PUNCH TOOL CHANGE .....	12
MAINTENANCE .....	13
REMOVING THE BLADES .....	13
ELECTRIC SCHEMATIC .....	14
HYDRAULIC SCHEMATIC.....	15
EXPLODED VIEWS & PARTS LISTS .....	16
ORDERING INFORMATION .....	24
MACHINE COMPLIANCES.....	24

## DAKE STANDARD LIMITED WARRANTY

### *Finished Machines*

Dake warrants to the original purchaser the finished machine manufactured or distributed by it to be free from defects in material and workmanship under normal use and service within 1 year (12 months) from the delivery date to the end user.

### *Parts*

Dake warrants to the original purchaser the component part manufactured or distributed by it to be free from defects in material and workmanship under normal use and service within 30 days from the delivery date to the end user.

The standard limited warranty includes the replacement of the defective component part at no cost to the end user.

### *Sale of Service (Repairs)*

Dake warrants to the original purchaser the component part repaired by Dake Corporation at the manufacturing facility to be free from defects in material and workmanship under normal use and service within 90 days from the return date to the end user, as it pertains to the repair work completed. The standard limited warranty includes repair of the defective component part, at no cost to the end user.

## Warranty Process

Subject to the conditions hereinafter set forth, the manufacturer will repair or replace any portion of the product that proves defective in materials or workmanship. The manufacturer retains the sole right and option, after inspection, to determine whether to repair or replace defective equipment, parts or components. The manufacturer will assume ownership of any defective parts replaced under this warranty.

All requested warranty claims must be communicated to the distributor or representative responsible for the sale. Once communication has been initiated, Dake Customer Service must be contacted for approval:

Phone: (800) 937-3253

Email: [customerservice@dakecorp.com](mailto:customerservice@dakecorp.com)

When contacting Dake, please have the following information readily available:

- Model #
- Serial #
- Sales Order #

Purchasers who notify Dake within the warranty period will be issued a Case number and/or a Return Material Authorization (RMA) number. If the item is to be returned per Dake's request, the RMA number must be clearly written on the exterior packaging. Any item shipped to Dake without an RMA will not be processed.

### **Warranty Exceptions:**

The following conditions are not applicable to the standard limited warranty:

- (a) Part installation or machine service was not completed by a certified professional, and is not in accordance with applicable local codes, ordinances and good trade practices.
- (b) Defects or malfunctions resulting from improper installation or failure to operate or maintain the unit in accordance with the printed instructions provided.
- (c) Defects or malfunctions resulting from abuse, accident, neglect or damage outside of prepaid freight terms.
- (d) Normal maintenance service or preventative maintenance, and the parts used in connection with such service.
- (e) Units and parts which have been altered or repaired, other than by the manufacturer or as specifically authorized by the manufacturer.
- (f) Alterations made to the machine that were not previously approved by the manufacturer, or that are used for purposes other than the original design of the machine.

## **RETURN & REFUND POLICY**

Thank you for purchasing from Dake! If you are not entirely satisfied with your purchase, we are here to help.

### **Returns**

All Dake manufactured / distributed machines, parts and couplings include a 30-day return option. These policies are valid from the date of final shipment to the end user.

To be eligible for a return, the item must be unused and in the same condition as received.

All requested warranty claims must be communicated to the distributor or representative responsible for the sale. Once communication has been initiated, Dake Customer Service must be contacted for approval:

Phone: (800) 937-3253

Email: [customerservice@dakecorp.com](mailto:customerservice@dakecorp.com)

Once the return request has been approved by Customer Service, a representative will supply a Return Material Authorization (RMA) number. The returned item must have the provided RMA number clearly marked on the outside packaging. Any item received without an RMA number clearly visible on the packaging will not be processed.

An RMA number can only be provided by the Dake Customer Service team and must be obtained prior to the return shipment.

### **Refunds**

Once the item has been received and inspected for damages, a representative will notify the requestor referencing the provided RMA number.

If the return is approved, a refund will be issued to the original method of payment, less a 20% restocking fee. The restocking fee may be waived if an order is placed at the time of return with like-value merchandise.

Transportation costs are the responsibility of the end user and will not be credited upon return approval.

Any item that is returned after the initial 30 days or has excessive/obvious use will not be considered for a full refund.

## **SAFEGUARDING THE POINT OF OPERATION**

### **ANSI B11.2 - Hydraulic Power Presses - Safety Requirements for Construction, Care, and Use**

It is important that Dake press users have a clear understanding of their responsibility involving the care and use of their Dake hydraulic press, including point-of-operation safe guards. Dake strongly recommends that Dake press users obtain a copy of the current American National Standard Institute (ANSI) B11.2 standard, for a more complete understanding of their responsibilities.

ANSI B11.2 states the following, relative to point of operation safeguarding:

“Normally, only the employer (press user) can determine the requirements of the press productions system components, including the dies and methods for feeding. Therefore, the employer is ultimately responsible to designate and provide the point-of-operation safeguarding system.”

The standard also discusses additional responsibilities of the employer. Some of the key responsibilities are:

- The employer is responsible for the safety, use, and care of the hydraulic power press production system.
- The employer is responsible to consider the sources of hazards for all tasks to be implemented on the hydraulic power press production system.
- The employer is required to eliminate, or control identified hazards in the scope of their work activity.
- The employer is responsible for the training of personnel, caring for, inspecting, maintaining, and operating hydraulic press production systems to ensure their competence.
- The employer is responsible to provide and ensure that point-of-operation safeguarding is used, checked, maintained, and where applicable, adjusted on every production operation performed on a press production system.

A complete and current copy of the ANSI B.11.2 standard can be obtained by contacting the following:

American National Standards Institute  
1430 Broadway  
New York, NY 10018

AMT – The Association for Manufacturing Technology  
7901 Westpark Drive  
McLean, VA 22102

## DAKE STANDARD TERMS & CONDITIONS OF SALE

All proposals and quotations for the original sale of our products are subject to the following terms and conditions:

**ACCEPTANCE OF ORDER:** All orders are subject to acceptance by Dake at its main office in Grand Haven, Michigan.

**APPLICABLE LAWS:** This quotation or acceptance shall be governed in all respects by the laws of the State of Michigan.

**CANCELLATION:** We reserve the right to cancel and/or refuse to complete your order if, in our opinion, you have not established credit to promptly meet the payment terms of your order. Any cancellation from the Purchaser may be subject to a 10% cancellation fee for any of our non-standard machinery upon the discretion of Dake. All custom or special quotes will not be eligible for cancellation, nor returns.

**DELIVERY:** The proposed shipment date is an estimate and is contingent upon causes beyond Dake's control. Under no circumstances shall Dake have any liability for loss of use or for any direct or consequential damages resulting from delay. All shipments from the Dake facilities are F.O.B.

**FREIGHT CLAIM:** Damage freight claims must be submitted to Dake within thirty (30) days of shipment from Dake's facility. If shipment for order was set up by the Purchaser, Dake is not liable to handle the freight claims.

**PERMITS AND COMPLIANCE:** Dake shall not be responsible for obtaining any permits, inspections, certifications, or licenses required for the installation or use of the equipment. Dake makes no promise or representation that the equipment or any services to be furnished by Dake will conform to any federal, state, or local laws, ordinances, regulations, codes or standards.

**PRICES:** Unless otherwise agreed to in writing, all prices are F.O.B. our plant in Grand Haven, Michigan and Grand Prairie, Texas. In any event, the quoted prices for component parts become invalid ten (10) days after date of quotation, and machinery may become invalid sixty (60) days after date of quotation. Unless otherwise specified in Dake's quotation, installation services and final on-site adjustments are not included in the quotation.

**TAXES:** Prices do not include taxes. If any sales, use or similar tax is payable to Dake in connection with any transaction or part thereof between the Purchaser and Dake with respect to goods delivered, the Purchaser will, upon demand, pay to Dake the amount of any such tax. If you are tax exempt, please include your exemption document when submitting your order.

**TERMS OF PAYMENT:** Terms of payment are as stated in Dake's quotation subject to credit approval by our home office. Dake will invoice Purchaser when the equipment is completed and ready for shipment. Payment terms run from invoice date. Purchaser may be required to issue a down payment before production of order and shipment, at the discretion of Dake Accounting. For credit card purchases, a 3.5% processing fee may be applicable to the order. The following states are exempt from the 3.5% processing fee: CA, CO, KS, OK, TX, FL, NY, CT, MA, and ME. Dake's preferred method of payment is as follows: ACH Wire and credit card. Checks will be accepted but may cause delay in order processing. Below is our billing address:

1809 Industrial Park Drive, Grand Haven, MI 49417

**WARRANTY** If, within a period of one (1) year from date of shipment, any part of any equipment sold by Dake is defective in material or workmanship and is so found after inspection by Dake, it will be replaced or repaired at the option of Dake, providing the equipment has been given normal and proper usage and is still the property of the original Purchaser. Purchased components such as Micro Drop mist system or the like, installed as a part of Dake equipment are warranted only to the extent of the original Manufacturer's warranty. Dake is not responsible for any service work performed unless authorized in advance.

**THE FOREGOING WARRANTY IS EXCLUSIVE AND IN LIEU OF ALL OTHER WARRANTIES WHETHER WRITTEN, ORAL OR IMPLIED (INCLUDING ANY WARRANTY OF MERCHANTABILITY OR FITNESS FOR PARTICULAR PURPOSE). UNDER NO CIRCUMSTANCES SHALL DAKE BE LIABLE FOR ANY INCIDENTAL OR CONSEQUENTIAL DAMAGES.**

## SPECIFICATIONS

<b>Model</b>	<b>DIW-25</b>
<b>Number</b>	971000
<b>Capacity</b>	25 Ton
<b>Horse Power</b>	4 HP
<b>Voltage</b>	220V Single Phase
<b>Cutting Thickness</b>	0.39in / 10mm
<b>Blade Length</b>	5.9in / 150mm
<b>Punch Thickness</b>	0.19in / 5mm
<b>Max. Diameter</b>	0.59in / 15mm
<b>Round Solid Capacity</b>	0.55in / 14mm
<b>Square Solid Capacity</b>	0.55in / 14mm
<b>Angle Iron Capacity</b>	1.96in x 1.96in x 0.19in / 50mm x 50mm x 5mm
<b>T-Bar Capacity (Optional)</b>	1.96in x 1.96in / 50mm x 50mm
<b>Height</b>	30.9" / 785mm
<b>Base</b>	28.3" x 31.7" / 719mm x 806mm
<b>Weight</b>	330 lbs.

## SAFETY



**This is the safety alert symbol.** When you see this symbol on your press be alert to the potential for personal injury.

Employer is responsible to perform a hazard/PPE assessment before work activity.

- Read the User's Manual before operating the machine.
- Wear suitable PPE (personal protective equipment). Use correct tools that are in good condition.
- If safety items have been removed for maintenance, ensure these are correctly reinstated before allowing an operator to start the machine.
- Remove any residual oil, cuttings and debris from the working zone left from previous operations.
- Oil leakage and condition of punches, dies, blade edges and tolerances etc. should be checked after each tool change and be readjusted if necessary.
- The stripper should always be adjusted according to the material thickness to be machined. Unequal stripping forces can result in tool breakages.
- Never punch any material which is thicker than the diameter of the intended hole. An overloaded punch will break.
- Always punch through holes, never blind holes, unless a tool is specifically installed for this purpose. The lateral elongation force, which occurs during punching of blind holes, may excessively press the punch against the die break.
- Regularly check the screw connections and other fixings of all the blades and other parts as well as the safe seating of the punches and dies. For example, should the punch become loose during an operation, distortion or misalignment will result in a breakage.
- Before each tool change, or any maintenance work ensure the machine is disconnected from main electrical supply.



- Never allow operators to use the machine after maintenance without checking.
- Should the hydraulic circuit flow be overloaded, the hydraulic oil will be fed back to the reserve tank through the overload valve until the pressure reduces to the normal level.
- Never alter the safety relief valve.
- Never touch rotating or moving parts.
- Always report electrical faults to a qualified electrical technician
- Keep your wearing, hair or jewelry etc. away from rotating parts.
- Make sure you know the position of Emergency Stop Buttons on the machine.
- Switch off the machine when NOT working.
- Wear any necessary safety clothing such as safety shoes, glasses, earplugs etc.
- Check all the Safety controls are operating correctly before using the machine.
- See and understand Safety Labels on the machine.
- Perform periodic maintenance.
- DO NOT overload the machine.
- If you see abnormal operation, stop the machine and inform your supervisor immediately.
- Be careful of other people around the machine during operation.
- Never modify any electrical unit or circuit without reference to the manufacturer.
- Never alter or remove any mechanic or electronic safety features from the machine.
- Be extremely careful during transport or repositioning the machine and follow transport instructions in the manual for safe handling.

**Most dangerous common cause of damage and/or injury from:**

1. Machining of other materials than steel 45 kg/mm<sup>2</sup> mild steel or exceeding the machine capability. See Technical data.
2. Incorrect use of the material holders and guards.
3. Punching or cutting very small work pieces. These result from the operators working within the danger zones. Small sections of metal may also become trapped between the blades and the main body. *If small pieces of material are to be punched or cropped, use extension tools for keep hands away from danger zones.*
4. Working with very large pieces of material. If necessary, use additional supports or rollers.



If any safety label fall off please contact Dake for replacements immediately.

## SET UP



Before completing any steps in this section, read the entire safety section. The safety section contains important information which will safeguard both yourself, and the machine, during installation and operation.

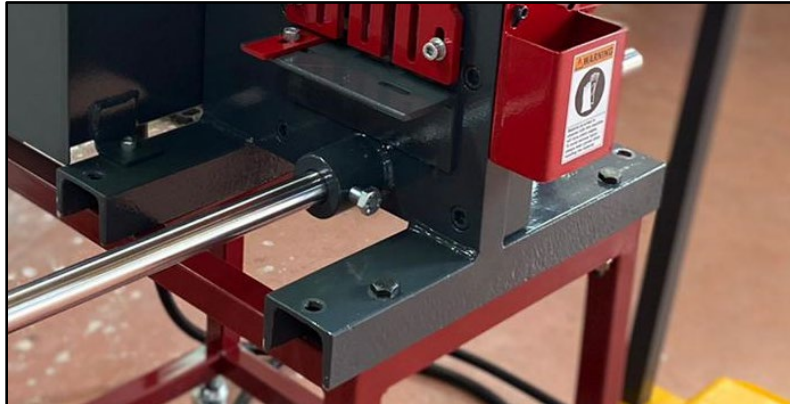
It is extremely important to read through the entire installation section to familiarize yourself with the installation procedure before performing any steps in this section.

Equipment capable of safely handling the weight of the machine is required. Always use cranes, hoists, chains, straps etc. with a lifting capacity greater than the weight of the object being lifted.

## MACHINE PLACEMENT

- Machine foundation must be a dry, level concrete floor, in a well lit area so that the entire machine is in a lighted area.
- Leave space around the machine for loading and unloading stock.
- Place machine in area to allow easy access for maintenance and repairs. Make sure all doors and panels are easily accessible.

Machine can be fixed to a stationary work bench or mobile work bench via the holes provided on the C-profiles on the base of the machine. Ensure any equipment/workbench placed under the machine can withstand more than the machines weight.

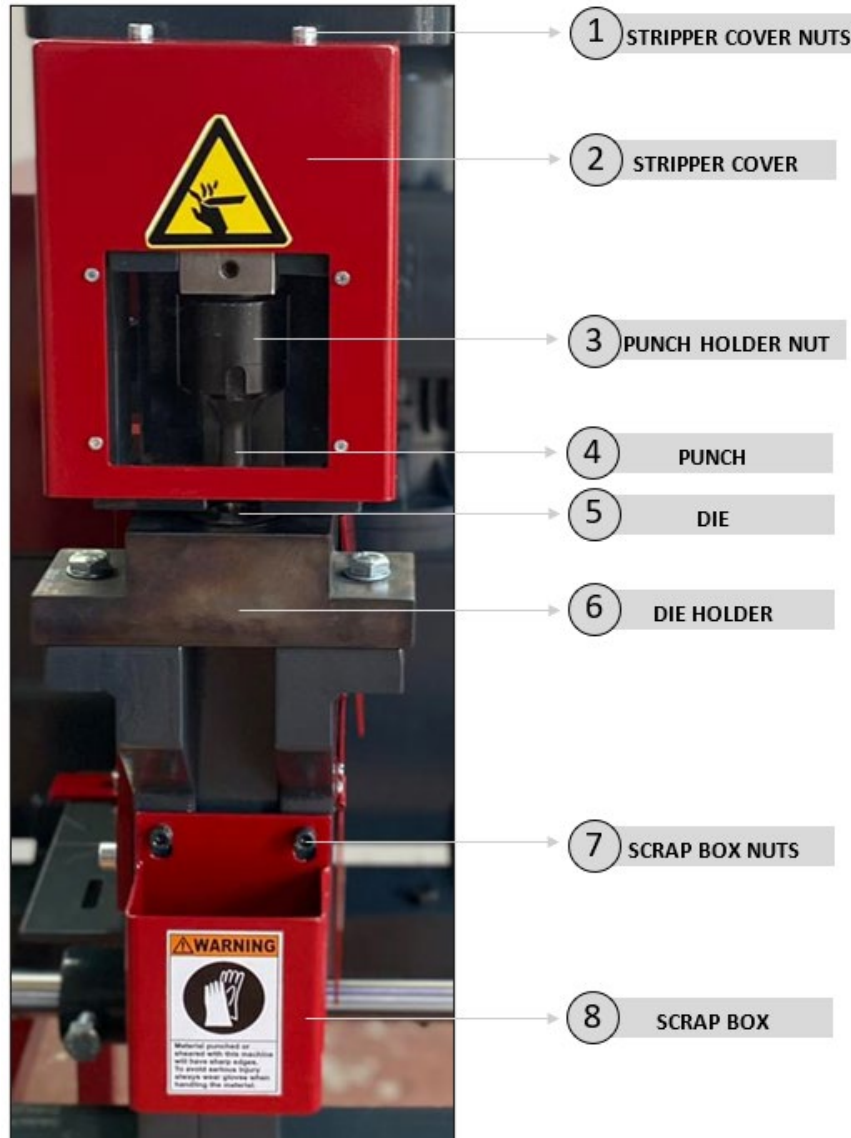


## FILLING THE MACHINE WITH OIL

Using the fill point near the left rear of the machine, fill with 12 liters or 3.1 gallons Mobil DTE 24 or equivalent. Filter oil to ensure no contaminants make it into the hydraulic system. Replace cap when done.



## MACHINE BREAKDOWN



## OPERATION



POWER SWITCH  
START & STOP BUTTON  
VOLTAGE BUTTON  
RUN/ADJUST SWITCH



EMERGENCY STOP – above  
the foot pedal.



FOOT PEDAL – safety lever must  
be pushed fully back while pressing  
foot switch to operate.

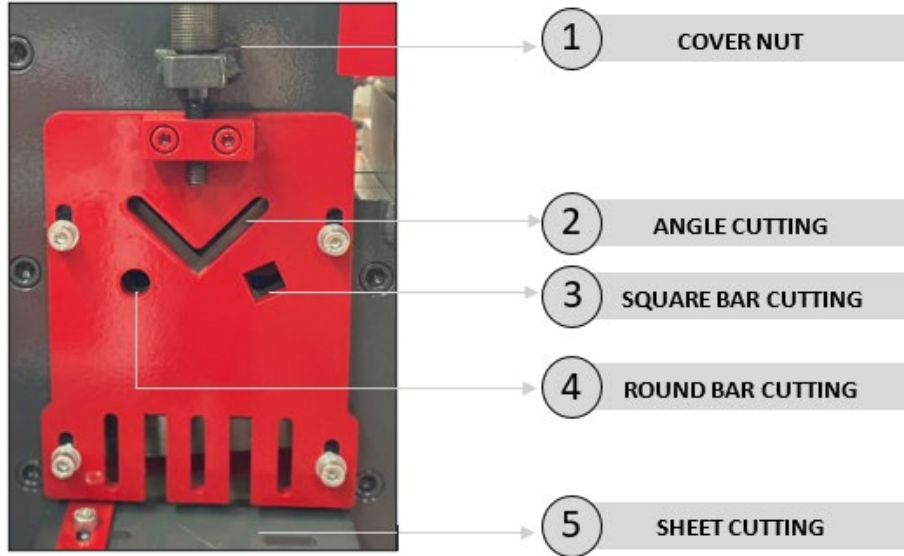
1. Make sure incoming power requirements match machine, 220V Single Phase. Connect press to power.
2. Switch power switch to “ON” position.
3. Insert material keeping hands away from the work area and depress pedal to operate machine. Adjust stroke if needed.

## ADJUSTING STROKE


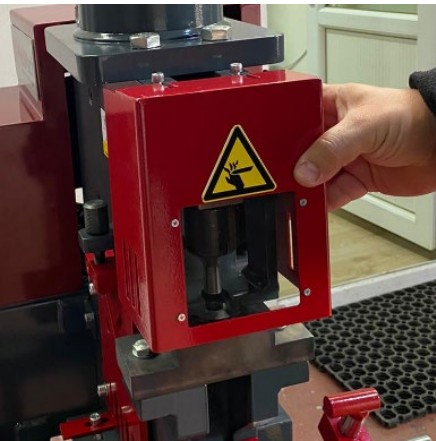



Machine stroke is controlled by adjusting the start and end of stroke via the limit switches found on the back right side of the machine.



## CUTTING SECTIONS



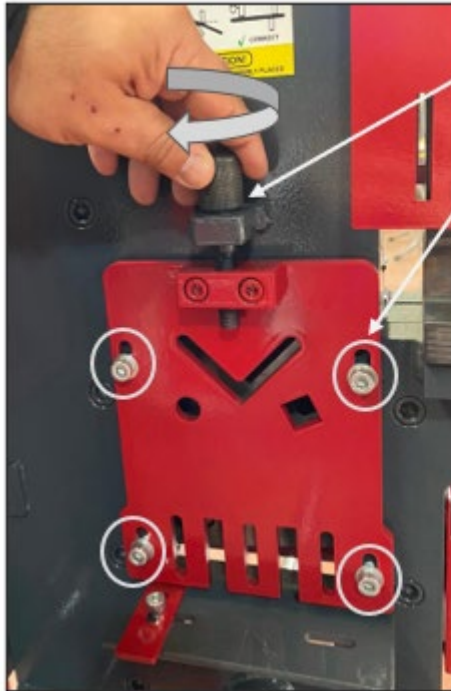
## PUNCH TOOL CHANGE

 <p>1. Use hex wrench to remove cover</p>	 <p>2. Remove cover</p>	 <p>3. Loosen the punch holder using the C-spanner</p>
<p>4. Release punch from holder and install desired punch. Reinstall punch holder and stripper cover back on</p>	 <p>5. Unscrew pin on die holder to release die. Install desired die then tighten in pin.</p>	 <p>6. Use wrench to arrange stripper position according to the material.</p>

## MAINTENANCE

**!** Maintenance works should only be carried out by sufficiently qualified or competent personnel. Particular attention should be paid to the correct assembly and alignment of the punch and dies, cropping blades and other tools.

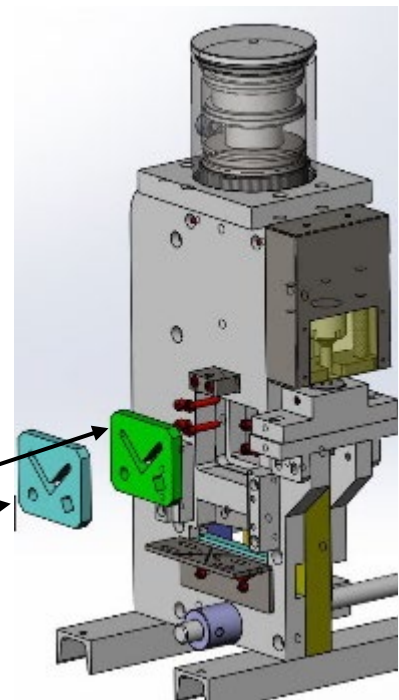
### REMOVING THE BLADES



Rotate the Cover Nut to move the cover up & down according to the material thickness.

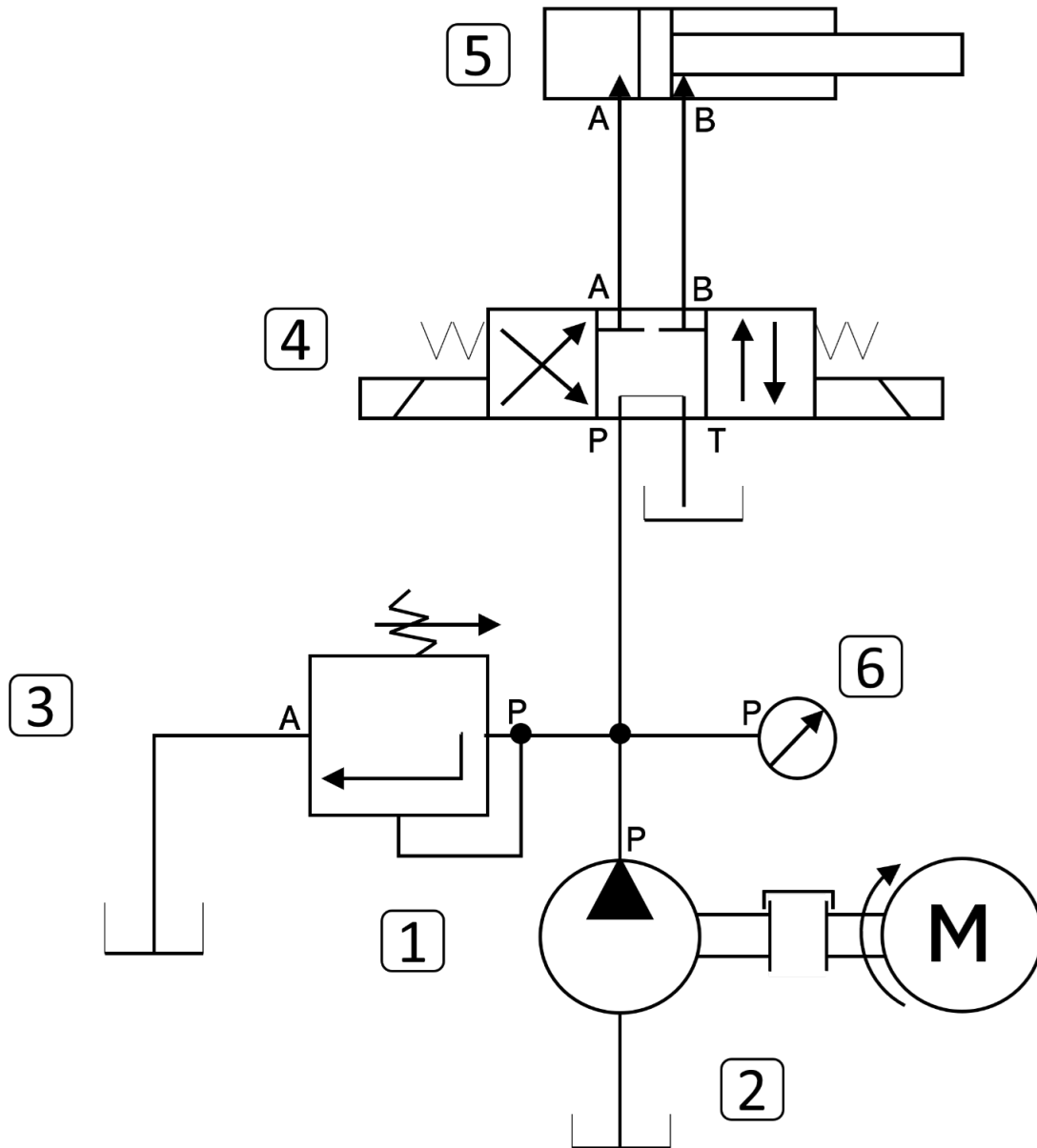
Remove the cover to change the blades

1. Remove cover by removing 4 bolts and cover nut.
2. Untighten blade bolts and remove blades.





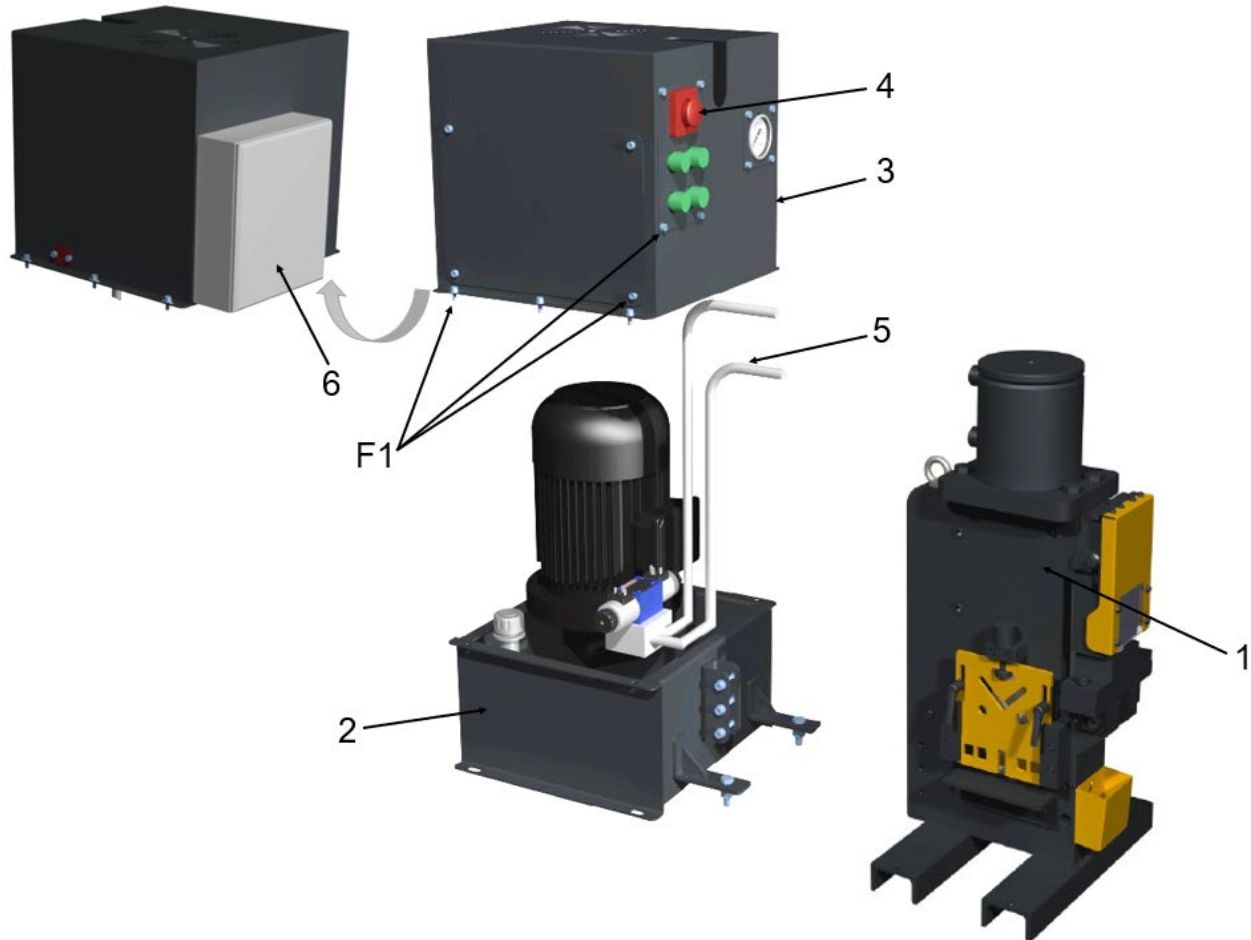
# HYDRAULIC SCHEMATIC





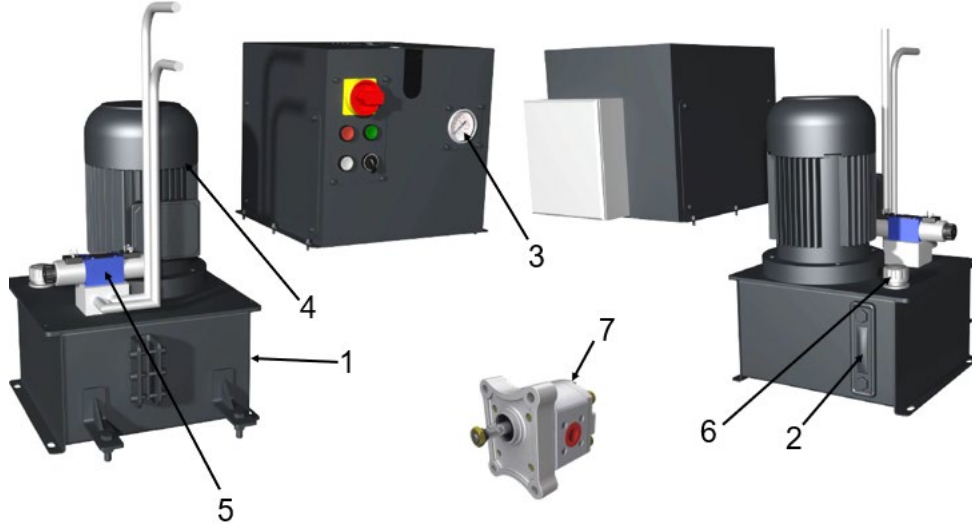
## EXPLODED VIEWS & PARTS LISTS

### Overall Assembly



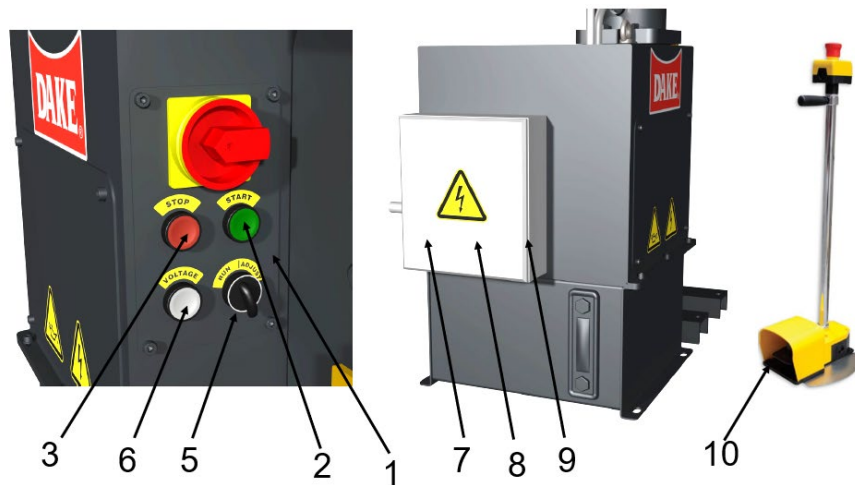
Item	Description	Ref. No.	Part No.	Qty
1	Iron Worker Base	IW1-002		1
2	Hydraulic Power Unit	IW1-003		1
3	Hydraulic Unit Hood	IW1-004		1
4	Electrical Control Unit	IW1-005		1
5	Pressure Hose	IW1-006		1
6	Electrical Panel	IW1-007		1
F1	Screw, Hex Head (M6-1.0 x 16mm)	HB-M6x16		12
-	Fool Pedal with E-Stop	IW1-008		1
-	C-Spanner (17mm) – Not Shown			1

### IW1-003 Hydraulic Unit Breakdown



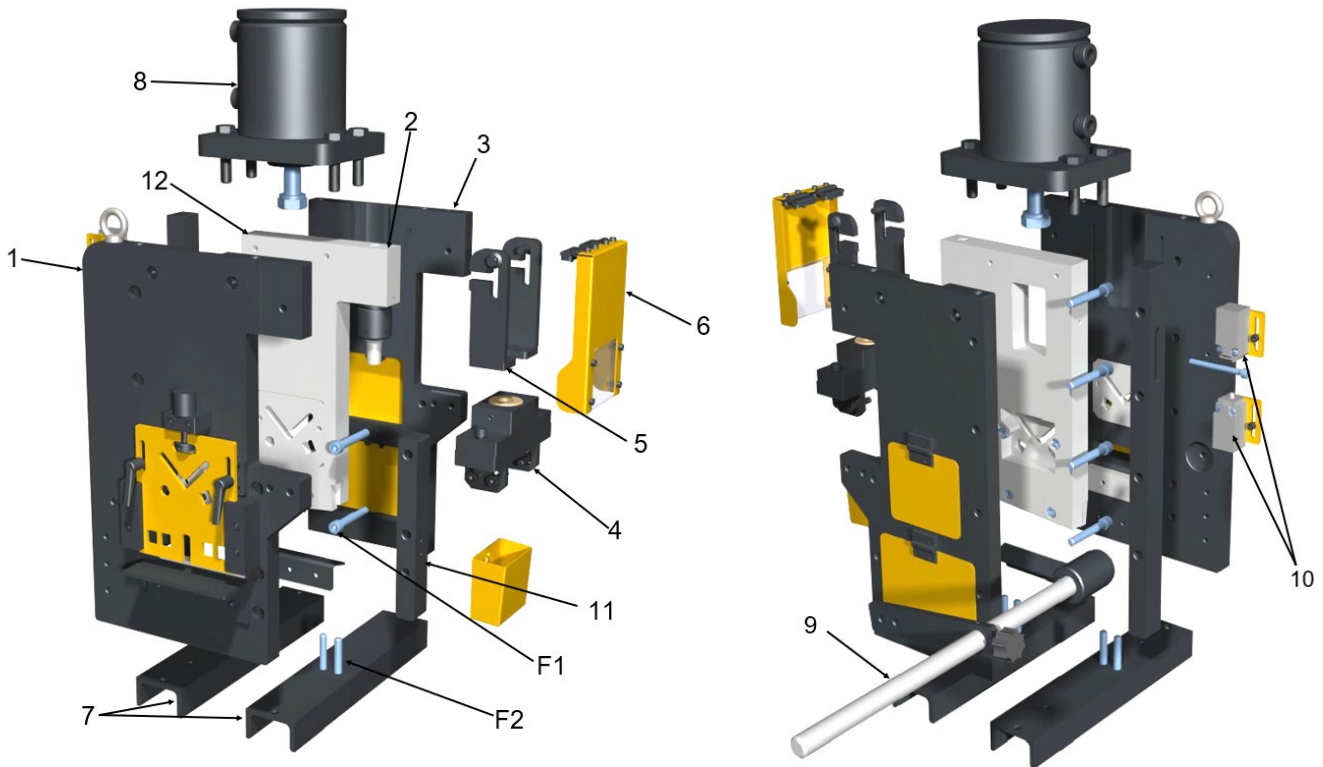
Item	Description	Ref. No.	Part No.	Qty
1	Hydraulic Unit Tank	IW1-210		1
2	Oil Level Indicator	IW1-211		1
3	Manometer/Pressure Gauge	IW1-212		1
4	Main Hydraulic Motor	IW1-213	304200	1
5	Hydraulic Valve	IW1-214	304201	1
6	Oil Filler Cap	IW1-215		1
7	Hydraulic Pump	IW1-216	304202	1

### IW1-005 Electrical Control Panel Breakdown



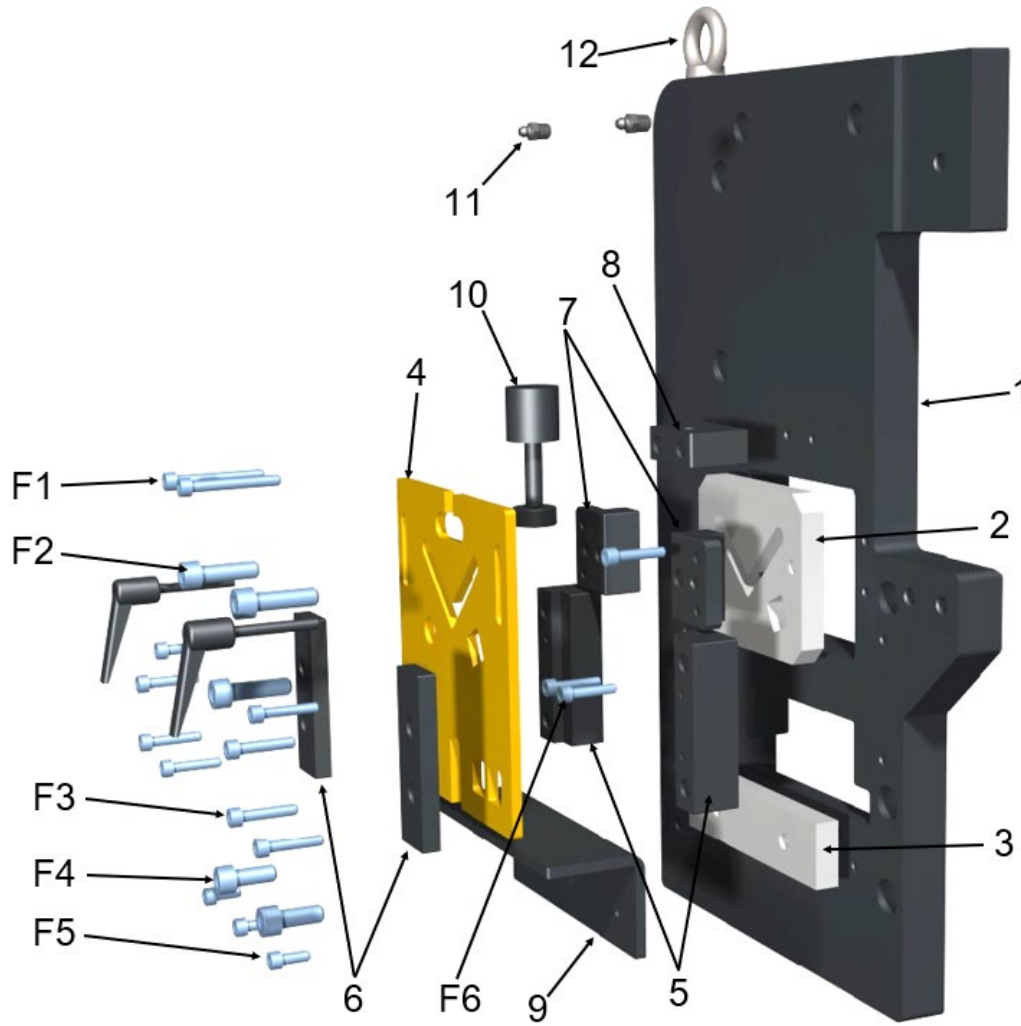
Item	Description	Ref. No.	Part No.	Qty
1	Electrical Control Panel	IW1-005		
2	Start Button	IW1-241	304203	
3	Stop Button	IW1-242	304204	
4	Main Switch	IW1-243	304205	
5	Selector Key	IW1-244	304207	
6	Voltage Button	IW1-245		
7	Electric Box	IW1-007		
8	Contactor	IW1-251	304209	
9	Relay	IW1-252	304206	
10	Pedal	IW1-260	304208	

## Iron Worker Base Assembly



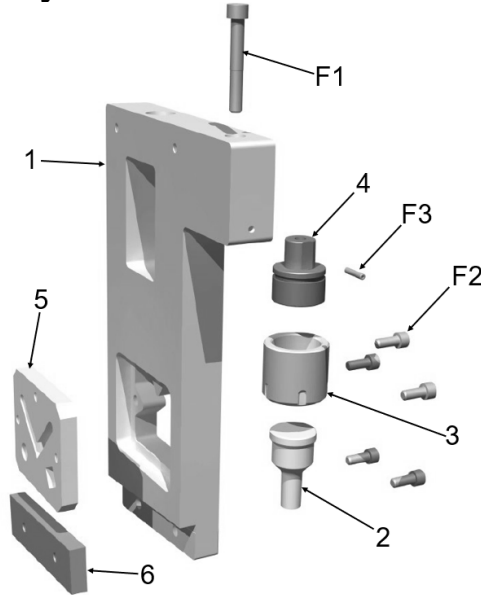
Item	Description	Ref. No.	Part No.	Qty
1	Fixed Carrier Structure Assembly	IW1-110		1
2	Movable Plate Structure Assembly	IW1-120		1
3	Edge Structure for Movable Plate Assembly	IW1-130		1
4	Punch – Bottom Mold Assembly	IW1-140		1
5	Scraper Assembly	IW1-150		1
6	Protective Cover Assembly	IW1-160		1
7	Mounting Brackets	IW1-020		2
8	Cylinder / Piston Assembly	IW1-180		1
9	Stock Stop Assembly	IW1-190		1
10	Limit Switch Assembly	IW1-200		2
11	Front Mounting Bar	IW1-030		1
12	Rear Mounting Bar	IW1-040		1
F1	Screw, Soc Head (M12-1.75 x 80mm)	HB-M12X80		6
F2	Screw, Soc Head (M12-1.75 x 40mm)	HB-M12X40		2

## IW1-110 Fixed Side Assembly



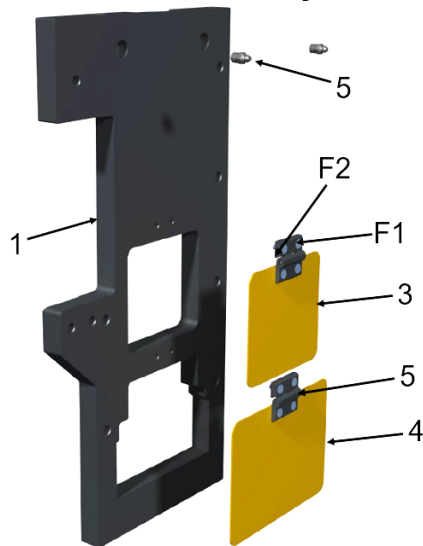
Item	Description	Ref. No.	Part No.	Qty
1	Carrier Column Plate	IW1-111		1
2	Profile Mold - Fixed	IW1-112	304189	1
3	Cutting Mold - Fixed	IW1-113	304190	1
4	Outer Fixed Mold	IW1-114		1
5	Outer Mold Bearing	IW1-115		2
6	Outer Mold Cover	IW1-116		2
7	Bending Mold Bracket	IW1-117		3
8	Outer Mold Bracket	IW1-118		1
9	Cutting Mold Bracket	IW1-119		1
10	Adjusting Bolt	E-M12-90		1
11	Grease Fitting	GRESS M8		2
12	Lifting Eye M10	L-M10		1
F1	Countersunk Bolt (M6-1.0 x 50mm)	CB-M6x50		2
F2	Screw, Soc Head (M10-1.5 x 35mm)	HB-M10x35		3
F3	Screw, Soc Head (M6-1.0 x 30mm)	HB-M6x30		14
F4	Screw, Soc Head (M10-1.5 x 25mm)	HB-M10x25	78758	2
F5	Screw, Soc Head (M6-1.0 x 16mm)	HB-M6x16		3

### IW1-120 Movable Plate Assembly



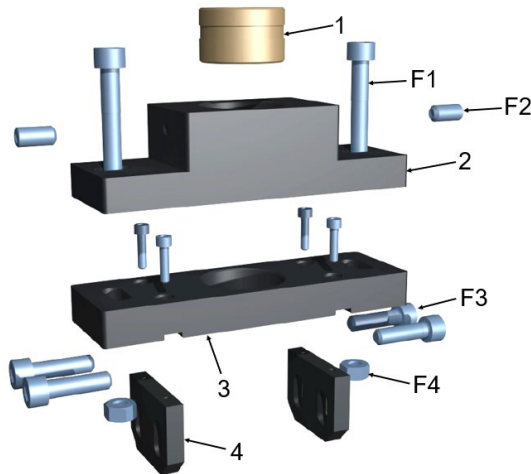
Item	Description	Ref. No.	Part No.	Qty
1	Movable Plate	IW1-121		1
2	Drilling Mold	IW1-122		1
3	Drilling Mold Connector	IW1-123	304191	1
4	Drilling Mold Holder	IW1-124	304192	1
5	Profile Mold – Movable	IW1-125	304193	1
6	Cutting Mold – Movable	IW1-126	304194	1
F1	Screw, Soc Head (M10-1.5 x 70mm)	HB-M10x70		1
F2	Screw, Soc Head (M10-1.5 x 25mm)	HB-M10x25	78758	5
F3	Screw, Set (M4-0.5 x 20mm)	SS-M4X20		1

### IW1-130 Side Structure for Movable Plate Assembly



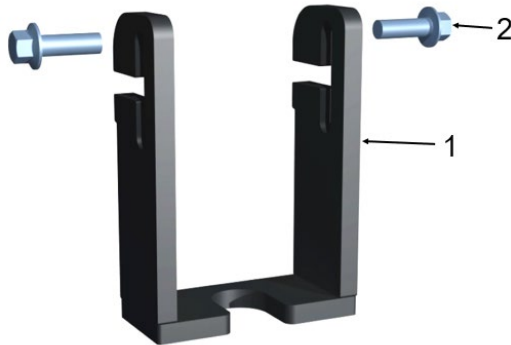
Item	Description	Ref. No.	Part No.	Qty
1	Edge Plate	IW1-131		1
2	Cutting Section Cover	IW1-132		1
3	Profile Section Cover	IW1-133		1
4	Hinge- Included on each Section Cover	H-40x40		2
5	Grease Fitting	GRESS M8		2
F1	Countersunk Bolt (M5-0.8 x 10mm)	CB-M5x10	78833	1
F2	Countersunk Bolt (M2-0.4 x 25mm)	CB-M2x25		8
F3	Nut, Hex (M5-0.8)	HM-M5		4

### IW1-140 Breakdown Bottom Punch



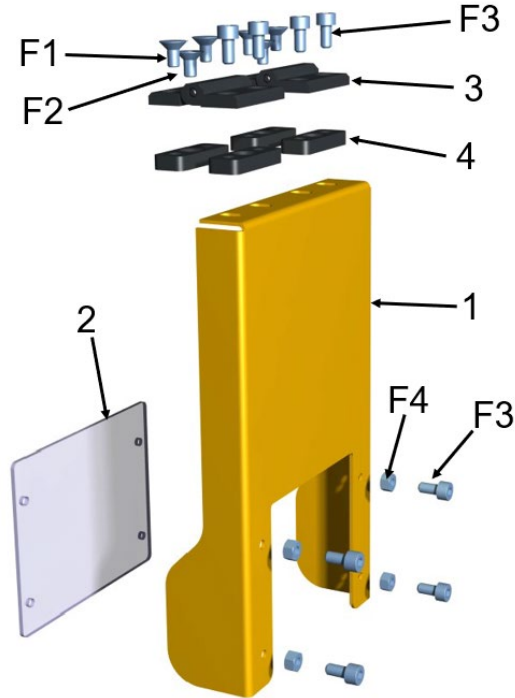
Item	Description	Ref. No.	Part No.	Qty
1	Drilling Bottom Mold	IW1-141		1
2	Bottom Mold Holder	IW1-142		1
3	Bottom Mold Connector	IW1-143		1
F1	Screw, Soc Head (M10-1.5 x 55mm)	HB-M10x55		2
F2	Screw, Set (M10-1.5 x 20mm)	SS-M10x20		2
F3	Screw, Soc Head (M10-1.5 x 35mm)	HB-M10x35		2
F4	Nut, Hex (M10-1.5)	HN-M10	302794	2

### IW1-150 Breakdown Scraper



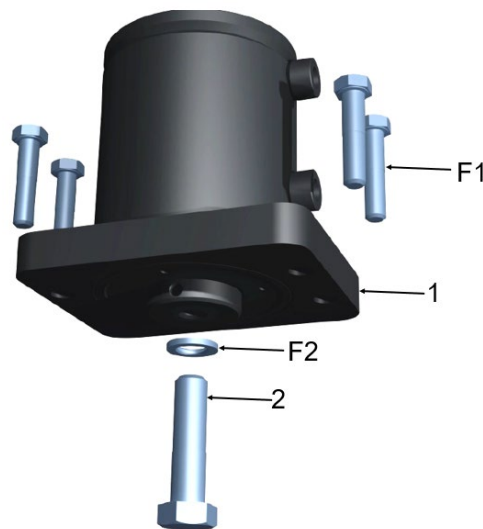
Item	Description	Ref. No.	Part No.	Qty
1	Scraper	IW1-151	304195	1
2	Screw M10-1.5x30mm	IW1-152		2

### IW1-160 Protection Cover Assembly



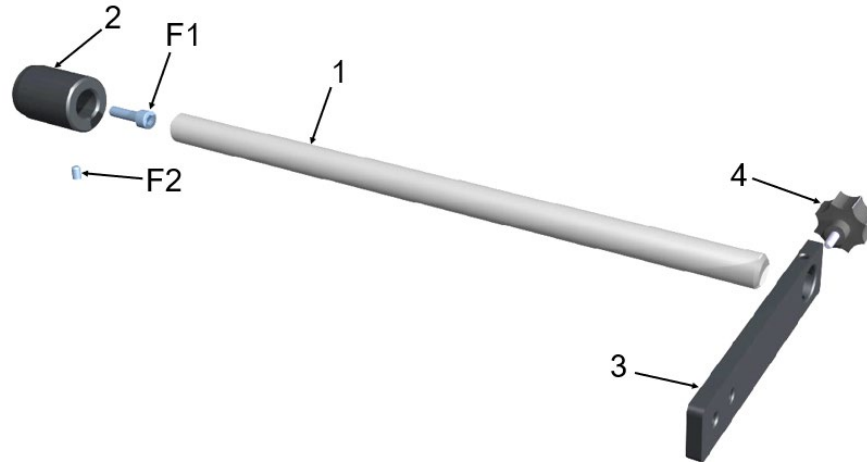
Item	Description	Ref. No.	Part No.	Qty
1	Protective Cover	IW1-161		1
2	Clear Cover	IW1-162		1
3	Hinge	H-40x40		4
4	Hinge Bracket	IW1-163		4
F1	Countersunk Bolt (M5-0.8 x 10mm)	CB-M5x10		6
F2	Screw, Soc Head (M5-0.8 x 10mm)	HB-M5x10	78833	8
F3	Nut, Hex (M5-0.8)	HN-M5		4

### IW1-180 Piston / Cylinder Assembly



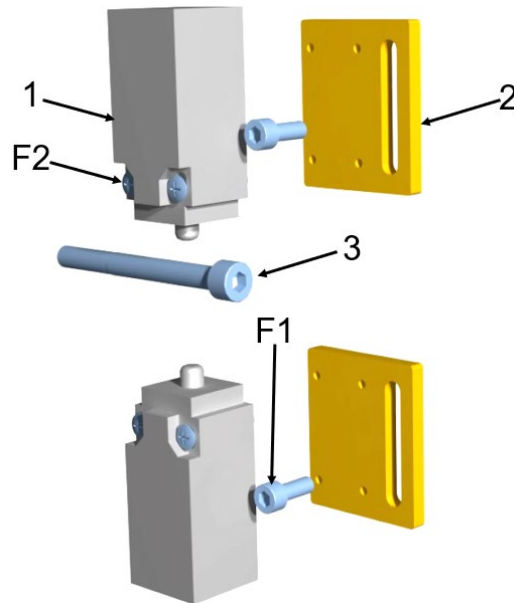
Item	Description	Ref. No.	Part No.	Qty
1	Piston / Cylinder Group	IW1-181		1
2	Cylinder Screw, Hex Head (M24-3.0 x 80mm)	HXB-M24x80		1
F1	Screw, Hex Head (M16-2.0 x 70mm)	HXB-M16x70		4
F2	Washer (M20)	R-M20		1

### IW1- 190 Stock Stop Assembly



Item	Description	Ref. No.	Part No.	Qty
1	Stop Stock Rod	IW1-191	304196	1
2	Bracket for Stock Stop	IW1-192	304197	1
3	Stop Bar	IW1-193		1
4	Hand Screw	IW1-194	304198	1
F1	Screw, Soc Head (M10-1.5 x 35mm)	HB-M10x35		1
F2	Screw, Set (M12-1.75 x 12mm)	SS-M8x12		1

### IW1-200 Limit Switch Assembly



Item	Description	Ref. No.	Part No.	Qty
1	Limit Switch	IW1-201	304199	2
2	Limit Switch Bracket	IW1-202		24
3	Screw, Hex Head (M8-1.25 x 80mm)	HB-M8x80		1
F1	Screw, Hex Head (M6-1.0 x 16mm)	HB-M6x16		2
F2	Screw, Slotted (M8-1.25 x 21mm)	CSB-M8x12		4



*Please contact factory for current prices.*

## **ORDERING INFORMATION**

Parts are available for direct purchase from Dake or through a distributor. When placing a parts order, you will need to provide the part number, name of part, and model number. All parts shipped F.O.B. Factory in Grand Haven, MI.

## **MACHINE COMPLIANCES**

The manufacturer declares the described products meet the essential requirements of the below mentioned standards as based on Machinery Directive **2006/42/EU**, Low Voltage Directive **2014/35/EU**, Electromagnetic Compatibility Directive **2014/30/EU**

### **APPLICABLE DIRECTIVES:**

**2006/42/EU** MACHINE SAFETY DIRECTIVE

**2014/35/EU** LOW VOLTAGE DIRECTIVE

**2014/30/EU** ELECTROMAGNETIC COMPATIBILITY DIRECTIVE

### **APPLICABLE REGULATIONS:**

EN ISO 12100:2010; EN ISO 13849-1:2015; EN ISO 13855:2010; EN ISO 13857:2008; EN ISO 13850:2015; EN 60204-1:2006/A1:2009/AC:2010; EN 61000-6-2:2005; EN 61000-6-4:2007/A1:2011; EN ISO 11202:2010