



# MAKSIWA®

## RBB.4G

**Edge Trimmer with 4 Groups**

INSTRUCTION MANUAL



ATTENTION: READ THIS MANUAL BEFORE USING THE MACHINE.

### **Greetings,**

Congratulations, you just purchased the RBB 4G Maksiwa Edge Trimmer, which was developed with the Maksiwa's highest standards of technology and quality. The RBB 4G Maksiwa Edge Trimmer allows you to have the highest productivity in woodworking. It should be noted that to use this machine with maximum efficiency, you should read and understand the instructions in this manual.

Visit our website to know about our launches and other product lines and Technical Assistance:

[www.maksiwa.com/usa](http://www.maksiwa.com/usa)

[tech@maksiwa.com](mailto:tech@maksiwa.com)



**Attention!: The machine must be inspected immediately upon arrival. If the machine has been damaged during transport, or if any parts are missing, a written record of the problems must be submitted to the forwarding agent and a damage report compiled. Also be sure to notify your supplier immediately.**



**For the safety of all personnel, it is necessary to study this manual thoroughly before assembly and operation. This manual must be kept in good condition and should be considered as part of the machine. Furthermore, the manual must be kept to hand and within the vicinity of the machine so that it is accessible to operators when using, maintaining or repairing the machine.**



Maksiwa International Inc.  
4100 N Powerline Rd, Suite D3 Pompano Beach, FL

Call us free: 844-319-6594

tech@maksiwa.com  
www.maksiwa.com/usa

## Contents

1. General.....	05
1.1 Symbol legend.....	05
1.2 Information on the operating instructions .....	05
1.3 Liability and warranty.....	05
1.4 Copyright.....	06
1.5 Spare parts.....	06
1.5 Disposal .....	06
2. Safety Regulations.....	07
2.1 Workspace.....	07
2.2 Personal Safety.....	07
2.3 Machine Safety.....	04
3. <u>Description</u> .....	10
3.1 Specifications .....	10
4. Installation.....	11
4.1 Electric Installation .....	11
4.2 Assembly .....	11
4.3 Adjustments .....	14
5. Operation.....	16
5.1 Set Up and Control .....	16
5.2 First Tests.....	18
5.3 Glue Thickness .....	18
6. Maintenance.....	21
6.1 Maintenance Schedule .....	21
7. Explode View .....	22
8. Wiring Diagram .....	43
9. Warranty Terms .....	45



## 1 General

### 1.1 Symbol legend

Important technical safety instructions in this manual are marked with symbols. These instructions for work safety must be followed.

In all these particular cases, special attention must be paid in order to avoid accidents, injury to persons or material damage.



**Warning! Risk of injury or death!**

**This symbol marks instructions that must be followed in order to avoid harm to one's health, injuries, permanent impairment or death!**



**Warning! Danger! Electric current!**

**This symbol warns of potentially dangerous situations relating to electrical current. Not observing the safety instructions increases the risk of serious injury or death. All electrical repairs must be carried out by a qualified electrician!**



**Attention! Risk of material damage!**

**This symbol marks instructions which, if not observed, may lead to material damage, functional failures and/or machine breakdown!**

### 1.2 Information on the operating instructions

This manual describes how to operate the machine properly and safely. Be sure to follow the safety tips and instructions stated here as well as any local accident prevention regulations and general safety regulations. Before beginning any work on the machine, ensure that the manual, in particular the chapter entitled "Safety" and the respective safety guidelines, has been read in its entirety and fully understood. This manual is an integral part of the machine and must therefore be kept in the direct vicinity of the machine and be accessible at all times. If the machine is sold, rented, lent or otherwise transferred to another party, the manual must accompany the machine.

### 1.3 Liability and warranty

The contents and instructions in this manual have been compiled in consideration of current regulations and state-of-the-art technology as well as based on our know-how and experience acquired over many years. This

manual must be read carefully before commencing any work on or with this machine. The manufacturer shall not be liable for damage and/or faults resulting from the disregard of instructions in the manual. The text and images do not necessarily represent the delivery contents. The images and graphics are not depicted on a 1:1 scale. The actual delivery contents are dependent on custom-build specifications, add-on options or recent technical modifications and may therefore deviate from the descriptions, instructions and images contained in the manual. Should any questions arise, please contact the manufacturer. We reserve the right to make technical modifications to the product in order to further improve user-friendliness and develop its functionality.


## 1.4 Copyright

This manual should be handled confidentially. It is designated solely for those persons who work on or with the machine. All descriptions, texts, drawings, photos and other depictions are protected by copyright and other commercial laws. Illegal use of the materials is punishable by law.

This manual, in its entirety or parts thereof, may not be transferred to third parties or copied in any way or form, and its contents may not be used or otherwise communicated without the express written consent of the manufacturer.


Infringement of these rights may lead to a demand for compensation or other applicable claims. We reserve all rights in exercising commercial protection laws.

## 1.5 Spare parts

 Attention: Non genuine, counterfeit or faulty spare parts may result in damage, cause malfunction or complete breakdown of the machine.

If unauthorized spare parts are fitted into the machine, all warranty, service, compensation and liability claims against the manufacturer and their contractors, dealers and representatives shall be rejected. Use only genuine spare parts supplied by the manufacturer. Unless, specified by manufacturer.

## 1.6 Disposal

 **Attention!: Used electrical materials, electronic components, lubricants and other auxiliary substances must be treated as hazardous waste and may only be disposed of by specialised, licensed firms.**

If the machine is to be disposed of, separate the components into the various materials groups in order to allow them to be reused or selectively disposed of. The whole structure is made of steel and can therefore be dismantled without problem. This material is also easy to dispose of and does not pollute the environment or jeopardize public health. International environmental regulations and local disposal laws must always be complied with.

## 2 Safety Regulations

Read all instructions in this manual. Failure to follow all instructions listed below may result in personal injury and equipment damage. **WARNING:** When using electrical equipment, always follow the safety precautions to reduce risk of fire, electric shock and personal injury. The manufacturer declares that they are not liable for damages to person(s) or object(s) which may be caused by failure to comply with the safety regulations.

### 2.1 Workspace

- Keep the work surface clean. Cluttered work areas and surfaces invite accidents.
- Do not use the saw in hazardous environments. Do not use power tools in damp or wet locations, or exposed to rain, or in the presence of well-lit liquids.
- Keep children away. All visitors must be kept a safe distance from the work area.
- Make the workplace childproof by using padlocks, master keys or removing the ignition key.

### 2.2 Personal Safety

- Stay alert, pay attention at what you are doing and use common sense when operating the machine. Do not use the machine when you are tired or under the influence of drugs, alcohol, or medication. If distracted, while operating the machine, it may in result in serious personal injury.



ALWAYS USE PROPER PROTECTION WHEN OPERATING THIS EQUIPMENT.

- Use appropriate equipment. Do not wear loose clothing, gloves, chains, rings, bracelets or other accessories that could become caught in moving parts.
- It is recommended wearing shoes with non-slip soles. Use protection for the hair in order to hold them.
- Always wear safety glasses. Also use hearing protection.
- Do not overreach on the equipment. Maintain balance and feet in comfortable position at all times.
- Keep all tools in order. Keep tools sharp and clean for better and safer performance. Follow the instructions for lubricating and changing accessories.
- Unplug the machine before servicing or changing accessories such as scissors, cutters etc.
- Keep hands away from moving or sharp parts.
- Do not use larger or smaller tools than recommended.

### 2.3 Machine Safety

- The motor of this machine can emit sparks, and can ignite flammable gases.
- Extension cables. Make sure your extension cord is in good condition. When using an extension, be sure of their ability to transmit the electrical current used by your product. An undersized cord will cause drop in voltage resulting in loss of power and overheating. The following table shows the correct size to be used depending on the cable diameter and amperage rate. If in doubt, use a cable with a higher level of capacity.

IMPORTANT: Do not use an extension cord with length above 20 meters.

Cable 2 wires		Cable 3 wires	
AWG	Amperage Ø	AWG	Amperage Ø
20	9	20	8
18	13	18	12
16	16.5	16	15
12	23	12	20

CAUTION: FAILURE TO ATTEND THESE WARNINGS MAY RESULT IN PERSONAL INJURY AND SERIOUS DAMAGE TO THE MACHINE.

- Protect the electrical power supply line with at least a 20 amp fuse or a circuit breaker switch.
- Make sure that the advance is turning in the right direction.
- Make sure that the knobs and screws are properly tightened and safe before starting any operation.
- Keep sharp tools.
- Keep vents free of chips or dirt engines.
- Turn off the machine and unplug the power cord before maintenance or adjustments of the tool.
- Support long pieces with a clamping device for wood.
- Do not attempt to operate the machine in another voltage beyond designated.
- Do not operate with missing parts of the machine.
- Do not put your hands less than 4in from the shaft.
- Do not use lubricants or cleaners (particularly sprays and aerosols) in the vicinity of the plastic guard. The polycarbonate material used in the guard is sensitive to certain chemicals.



**WARNING: Some dust created by the act of sanding, cutting, grinding, drilling and other construction-related activities contains chemicals that can cause cancer, birth defects or other reproductive harm. Some examples of these products are: Lead-based paint; crystal silica bricks, concrete and other masonry products; and arsenic and chromium from chemically treated wood.**



**CAUTION:** Do not connect the unit to the power outlet until all instructions have been read and understood. Always tighten the adjustment tabs before using the machine. Think: "I can prevent accidents". Do not operate the machine unless the guards are in their proper places. Always use protective goggles.

### 3 Description

the RBB 4G Maksiwa Edge Trimmer are intended perform the cutting, refining, scraping and polishing of edge bands applied to MDF sheets and similar, providing a perfect finish to your projects.

#### 3.1 Specifications

RBB 4G Maksiwa Edge Trimmer

- Weight: 199 Lbs (90 kg)
- Feed Speed: 56ft/min (17m/min)
- Voltage: 110V 17 Amps
- Total Power: 2100 Watts
- Tape Cutter: Manual
- Work Dimensions (L x W): 31 1/2" - 50" x 15" - 26"
- Max Tape Thickness: .4 mm - 1 mm
- Max Piece Height: 2 3/4" (70 mm)
- Piece Length Mini/Max: 6" x 138" (160 mm x 3500 mm)

NOTE: Pictures and illustrations in this manual are ILLUSTRATIVE only and may not be the actual color, contain the same labels or accessories, and are intended only to illustrate the technical part.

## 4 Installation

The following sections will deal with the adjustments necessary for the smooth operation of the machine and shall refer to the term that accompanies the illustrations. For this, you must know the components and know where they are.

### 4.1 Electrical Installation

The RBB.4G Trimmer has a single-phase motor with 110V connection. To avoid burning hazards, check the electrical voltage of your outlet before turning on the machine. If necessary, change your energy with the help of a specialized technician.

Make sure that your power supply is as designed for the equipment.

### 4.2 Assembly

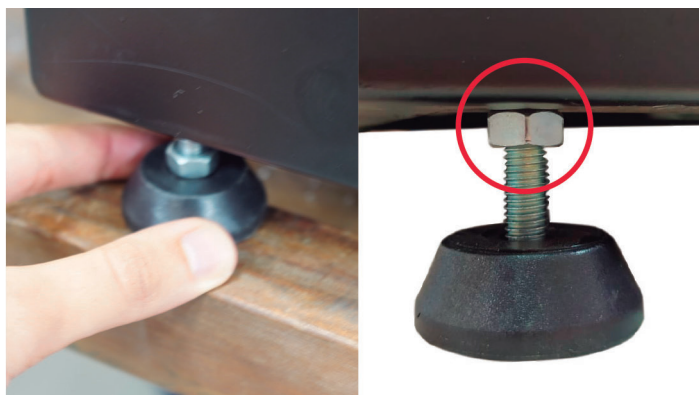
- For ergonomic reasons, this equipment must be carried by at least two people.
- For packaging reasons, the machine is not fully assembled.
- If you notice any shipping damage while opening the package, notify your supplier immediately. Do not operate the machine.
- The RBB.4G is designed to operate indoors and must be placed on a firm, stable and level surface.

1. You will receive your machine crated.

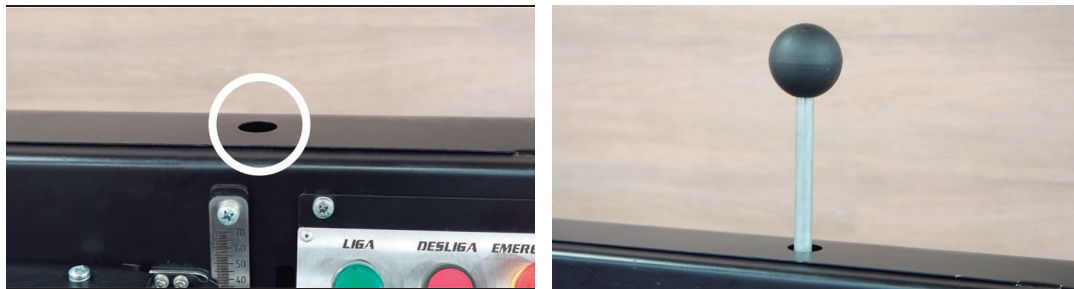
2. Remove the machine from the crate with all the parts and accessories that go with it.

3. Remove the packing materials around the parts.

4. After removing the RBB.4G Maksiwa from the packaging, start assembling using the 4 leveling feet. Remember to keep the locknut properly tightened along the equipment structure, keeping the feet fixed, as shown in the following pictures:



5. Then install the ball handle rod. This part must be threaded into the insert that is inside the hole shown below. Make sure it is firmly and securely tightened.



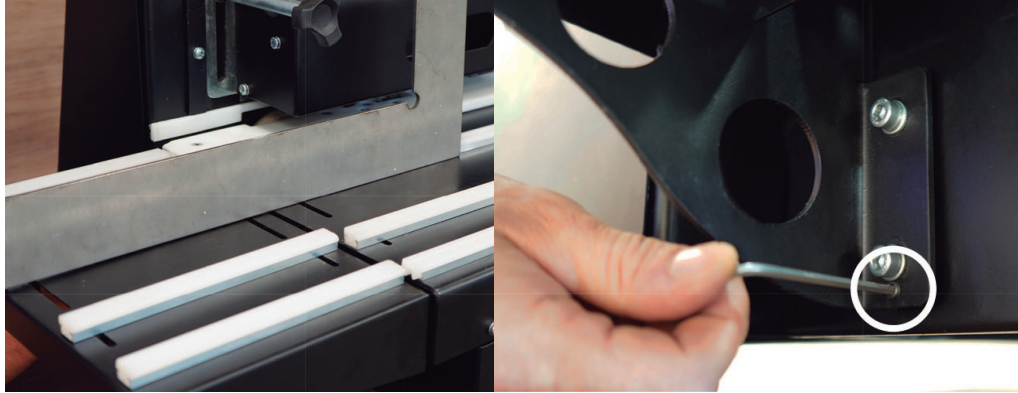
6. Assemble the two side tables. You will receive two auxiliary side tables, as shown in the following picture:



Each of the tables must be bolted on the threaded holes, indicated in the previous photo. Remember not to fully tighten before completely aligning the tables, following the next step.



To align the tables, use a square or similar tool. Align the side tables along the central table, making sure that both sides are perfectly aligned.

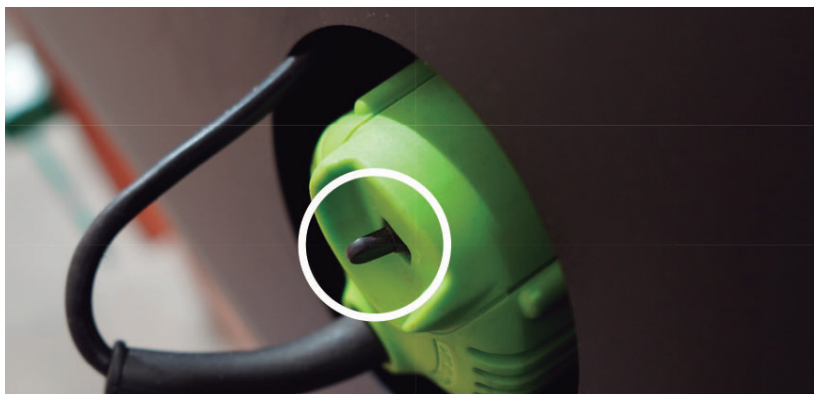


Adjustment is made by tightening or loosening the screw shown below. Remember that the adjustment must be made on both sides of the auxiliary table.

7. Connect a dust collector to the output shown below. Using the machine with a dust collector is essential for its proper functioning, in addition to increasing the life of your equipment.



8. Also make sure to plug in the router, it comes pre-installed. For the machine to work perfectly, the router Switch must be in position "I".



## 5 Operation

**IMPORTANT:** All maintenance or cleaning on the machine must be made with the machine OFF and unplugged from the outlet to prevent accidental shock.

- Periodic maintenance on your RBB 4G Edge Trimmer will ensure optimum performance. Make it a habit to inspect your machine every time you use it. This section covers the service adjustments or common procedures that may need to be made during the life of your machine.
- Verify if the following conditions for repair or replacement are needed:
- Loosen screws.
- Switches or buttons damaged.
- Cables, plugs or sockets worn or damaged.
- Any other condition that could adversely affect the safe
- Operation of the equipment
- The machine must be operated with all protections and security systems. always keep the operator's physical integrity as a priority.

Once assembled, your equipment will be ready for use, as it will be delivered pre-adjusted. For correct usage, follow the steps shown below.

The operations carried out by the RBB.4G Trimmer, as with any other machine, may pose risks to the operator if the safety and adjustment instructions are not respected. These instructions are written with the understanding that the operator has the necessary knowledge and skills to operate this equipment.

If at any time you experience difficulties in carrying out any operation, stop using the machine. If you are an inexperienced operator, we recommend that you read the manual and operating instructions carefully or seek the instruction of an experienced operator.

### 5.1 Setup and control

1. Familiarize yourself with the control panel. In it you will find 3 buttons, marked on the panel itself. Pay attention to the fact that, if the emergency button is pressed, the machine does not start. This button must be twisted on for the equipment to work. (Connect the socket previously installed to the 110V single-phase outlet, In the control panel you will find different commands.)



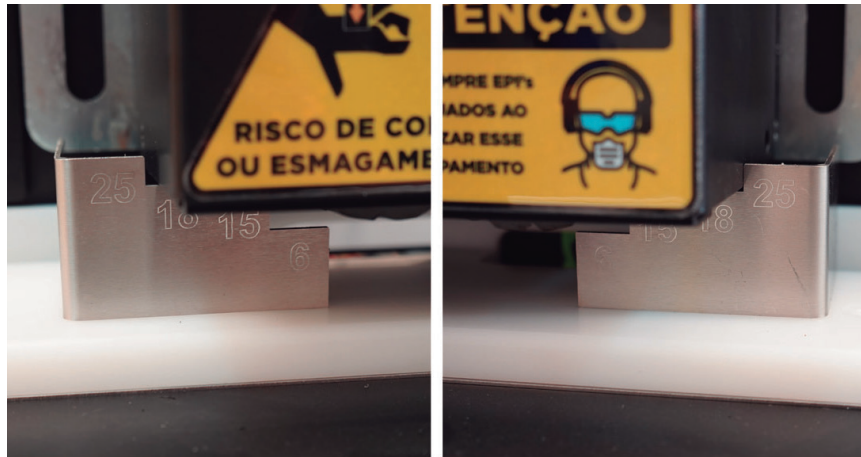
2. Adjust the feed height according to the thickness of the part to be passed, using the scales on both sides.



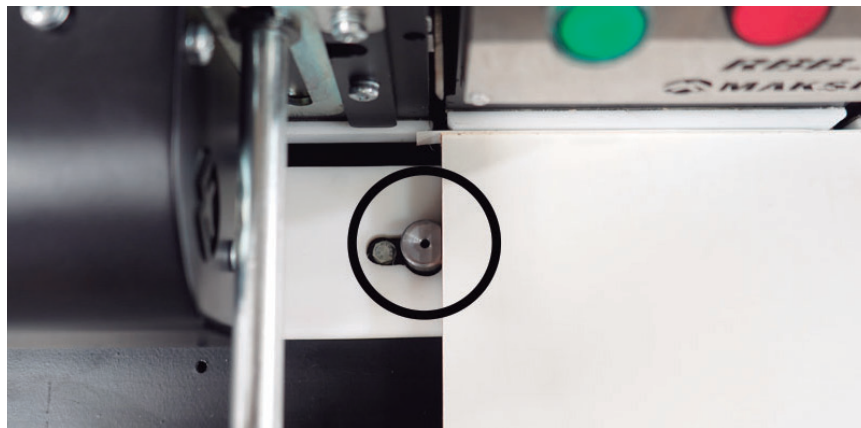
3. Also use the guides provided x 2 (one for each side) to make the height adjustment, according to the thickness of the MDF in which the treim will be made.  
Remember that both guides must be positioned as shown in the photos below and must not be resting on any structural bend of the equipment.



**x 2**



4. After turning on the machine, place the piece to be trimmed against the stop. The stop is in the correct position to cut the ends of the panel, as it is aligned with the blade.



5. Cut the edgework by pressing down on the ball handle rod. Always do this before trimming each side of a piece.





6. Slightly lift the part you are using so that it push down on the stop.



7. Guide panel along the equipment extension. Even though it has feed rollers, we recommend that you support the panel through complete trimming process by hand, especially with panels that exceed the size of the table.



8. If necessary, you can increase the working area using the front extension table. Just pull or push, per your need.



## 5.2 Adjustments

Your equipment will be pre-adjusted. Still, some adjustments will be necessary on a regular basis, such as blade adjustments or changing parts.

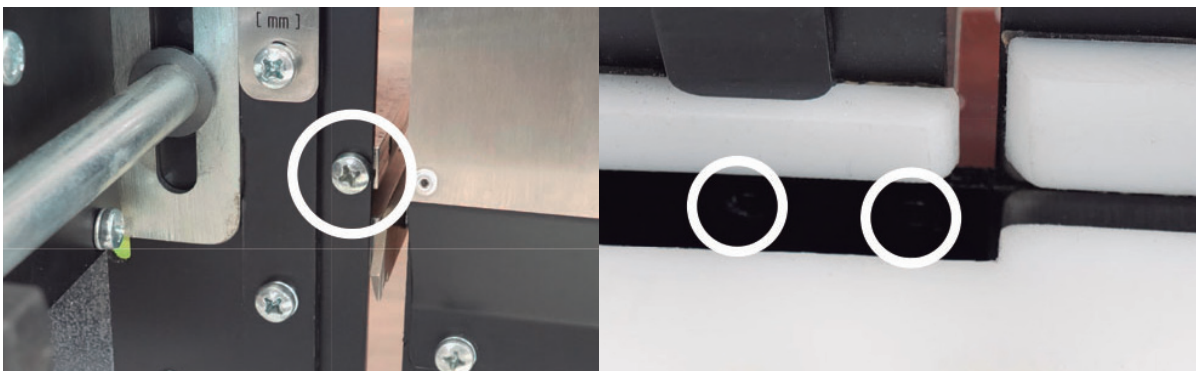
NOTE: All adjustments must be made with the machine off and the power cord unplugged.

### Guillotine Knife adjustment

1. To make the adjustment of the knife square. On the back of the equipment you will need to loosen the 3 screws indicated below to perform the alignment.

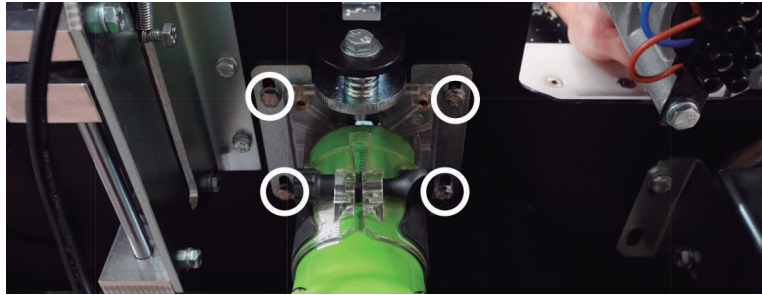


2. Also loosen the screws marked in the photos below and align the knife with the stop.



### Router Height Adjustment

1. To adjust the router, you must loosen the 4 screws that hold it in place, shown in the photo below. Remember that there is no need to completely remove them, just loosen them.



2. The height will be adjusted by turning the bolt shown below. Turning it clockwise, the router goes up, counterclockwise, the router goes down. After the height has been set, tighten the router's fixing screws again.

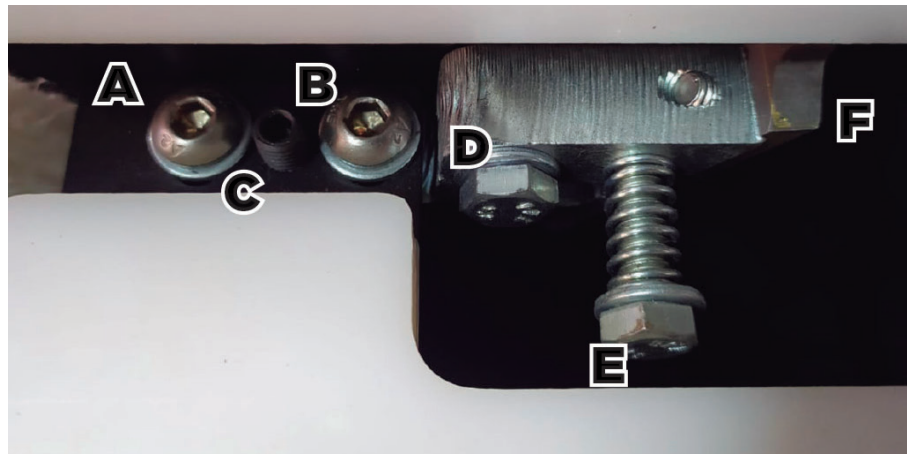


### Scraper Adjustment

If you need to make any adjustments to the scraper system, you can follow the instructions below. Pay attention to each of the screws, checking how to make the correct adjustment of all.

To make the adjustment first lift the feed assembly to its max height (70 mm).

Note that for the adjustment of screws E, F and G, the RBB.4G comes with a wrench with a specific size for this adjustment.





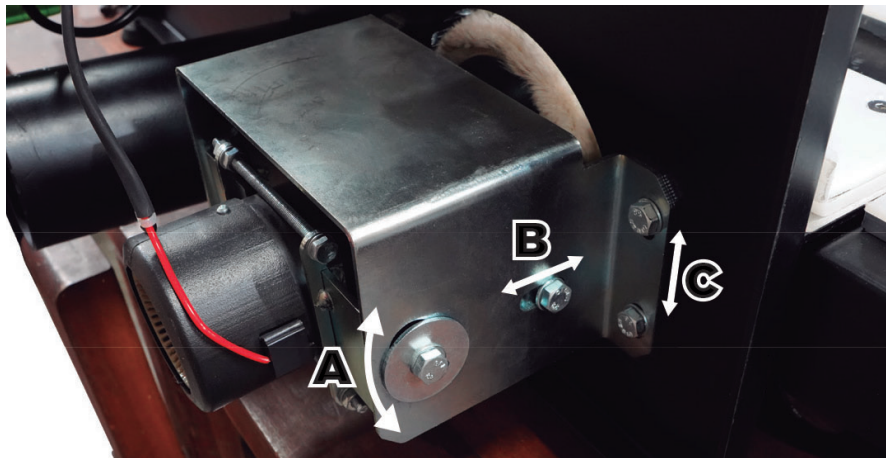
**Vertical Movement** - To move the scraping bit vertically , loosen Bolt **D**. If you want to LOWER the scraper, tighten Bolt **A** and loosen **B**. If you want to LIFT the scraper, tighten screw **B** and loosen **A**. At the end of the adjustment, tighten again bolt **D**. Bolt **C** is responsible for the “teeter” of screws **A** and **B** and will hardly need to be adjusted.

**Horizontal Movement** - To move the scraping bit horizontally, loosen bolt **D**. The adjustment is made by tightening (moves backwards) or loosening (moves forward) bolt **E**. At the end of the adjustment, tighten bolt **D** again.

Swap Scraper Bit - On the back of the scraper bit you will find the bolt **F** that secures the knife to the system. If you need to change the blade, just remove this bolt and replace it. Remember that the scraper bit has two faces. You can flip and use the other side of the blade

### Buffing Adjustment and Replacement

If you need to adjust the Buffer, be aware of what you need to do. Each screw has its specific function. Pay attention to each adjustment to change or adjust the buffer.



**Tilt Movement** - As shown in the photo, Bolt **A** (one on each side) are responsible for tilting the buffing motor. Just loosen bolt **A** and **B** then adjust as needed. After adjustment, re-tighten bolt **A** and **B**.

**Horizontal Movement** - As shown in the photo, bolt **B** (one on each side) are responsible for holding and horizontally moving the Buffer. Just loosen bolts **A** and **B** then adjust as needed. After adjustment, retighten bolt **A** and **B**.

**Vertical Movement** - As shown in the photo, bolt **C** (two on each side, adding up to 4) are responsible for fixing and vertically moving the entire - buffing system. Just loosen bolt **C**, make the necessary adjustment and retighten bolt **C** at the end of the process

If you need to change the buffer, remove the entire system (bolt **C**). Hold the buffers shaft with a wrench and, with another wrench, remove the nut that secures the buffer. Remember that this nut has the reverse thread.



## 6 Maintenance

Periodic maintenance on your RBB 4G Maksiwa Edge Trimmer will ensure optimum performance. Make it a habit to inspect your Edge Trimmer each time you use it. This section covers the most common service adjustments or procedures that may be needed and maintenance during the lifetime of your machine.

Verify the following condition before operations:

- Loose or poorly tightened screws/bolts;
- Switchers or buttons;
- Worn and/or damaged cables, plugs or sockets;
- Damaged gears or chain linkage;
- Consider any other condition that could impair the safe operation of this equipment;

### 6.1 Maintenance Schedule

#### **Daily:**

- Vacuum all dust from above and around the machine.
- Clean the guides, shafts and the top knife and scraper bit, getting rid of any glue residue.

#### **Weekly:**

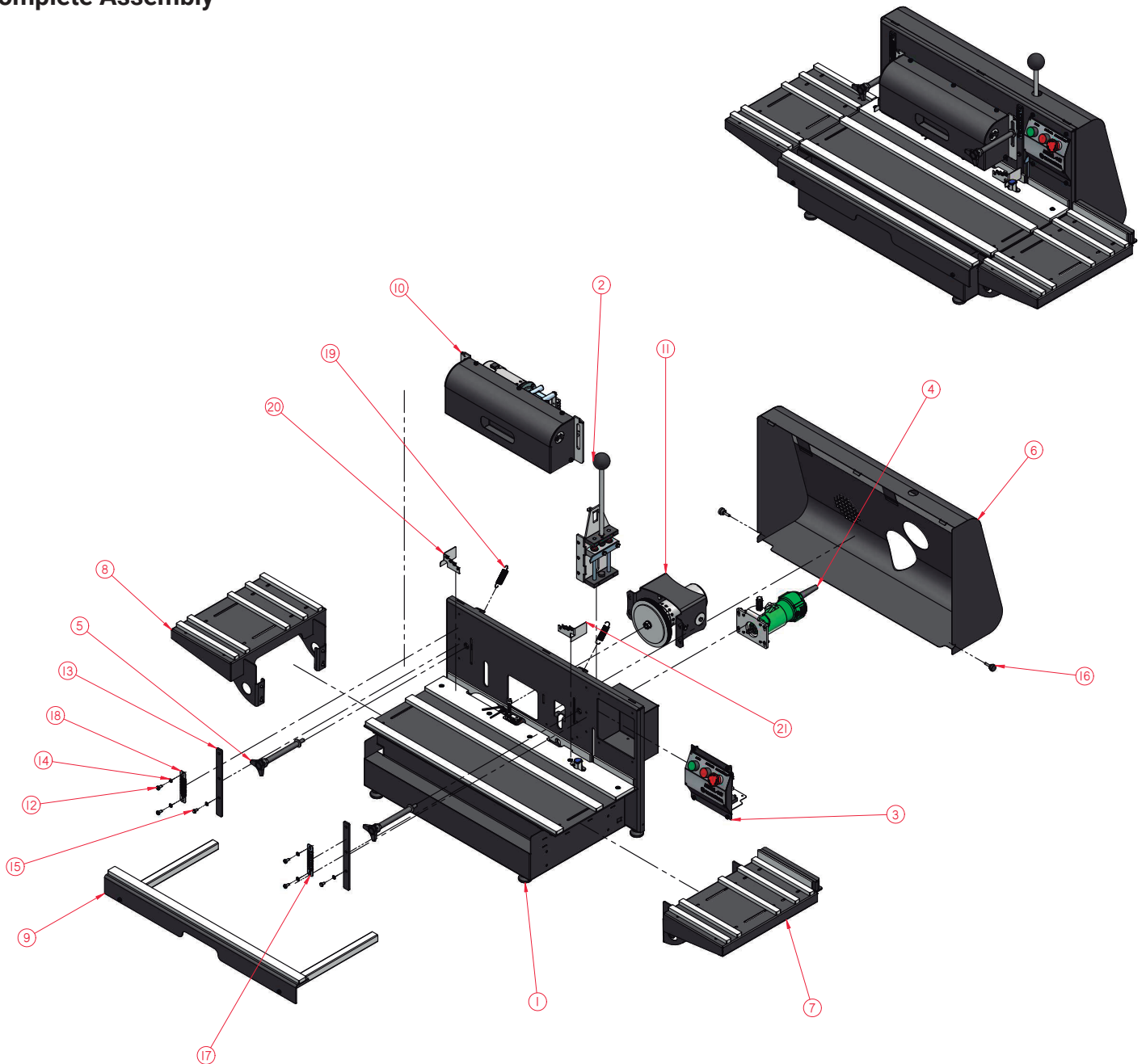
- Clean the accumulation of dust inside the rear cover of the machine.
- Check the buttons and electrical cable for wear or damage.
- Check the wear of the guillotine and scraper bit.
- Pay attention to the wear of the Buffer and clean/ change it whenever necessary.

#### **Electric panel**

Never move or service the electrical panel with the machine turned on or plugged in. Look for Maksiwa authorized technical assistance when you need to handle the electrical panel.

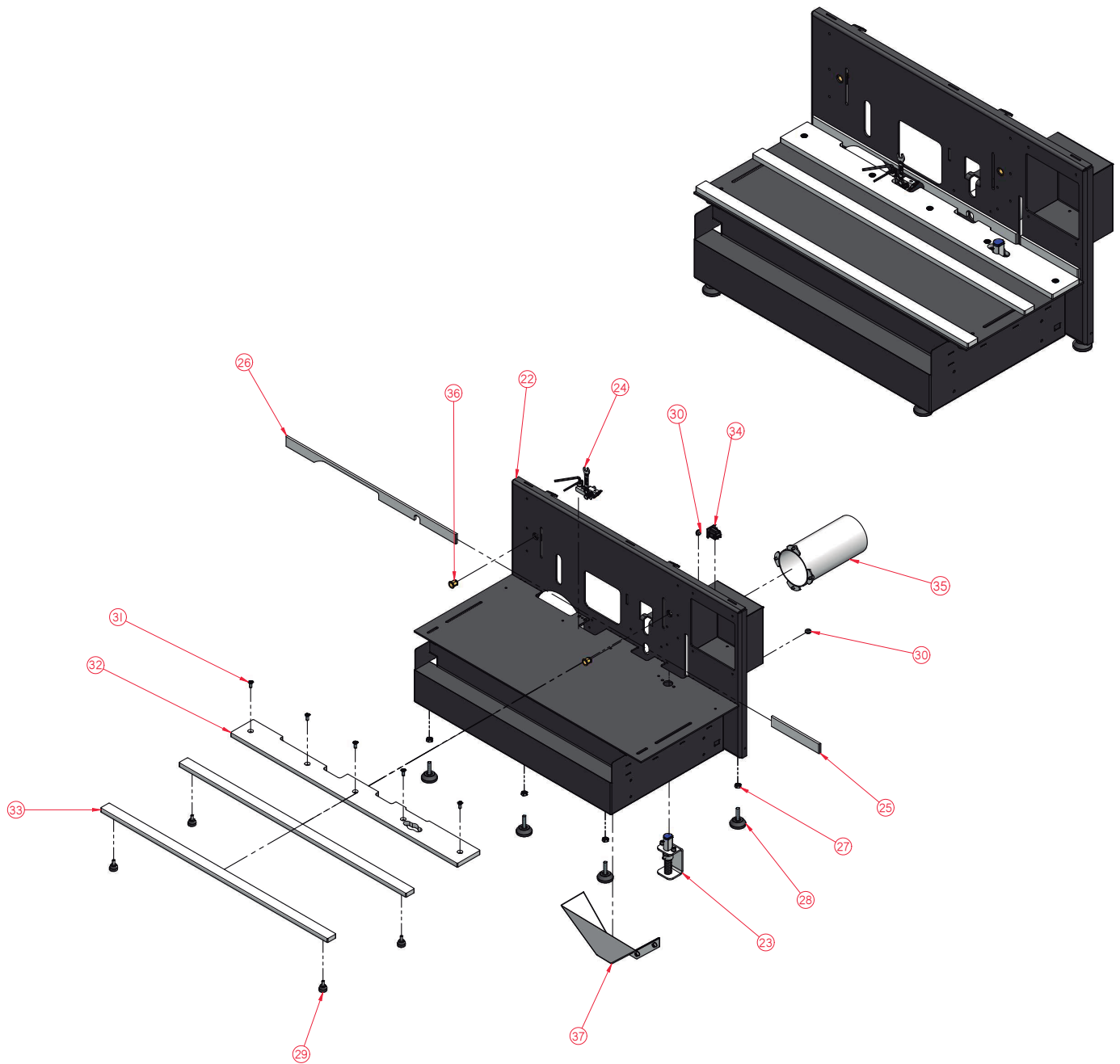
7 Exploded View

Complete Assembly



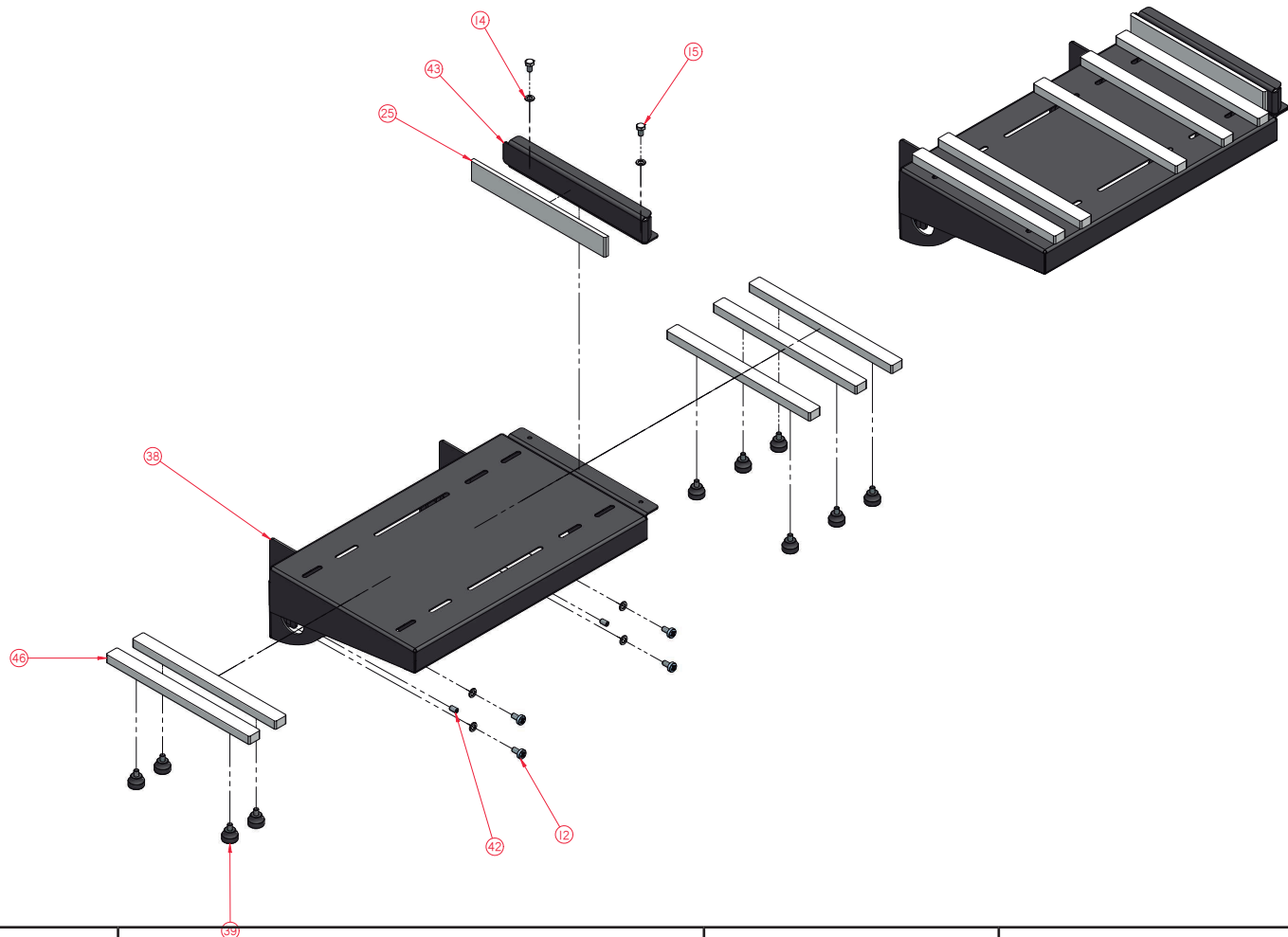
Item	Description	Qty	Part N°
1	MAIN TABLE ASSEMBLY	1	-
2	KNIFE SUPPORT ASSEMBLY	1	-
3	CONTROL PANEL	1	4096
4	ROUTER SUPPORT ASSEMBLY	1	-
5	HEIGHT ADJUSTMENT KNOB	2	-
6	REAR COVER ASSEMBLY	1	-
7	INFEED EXTENSION TABLE ASSEMBLY	1	-
8	OUTFEED EXTENSION TABLE ASSEMBLY	1	-
9	FRONT EXTENSION ASSEMBLY	1	-
10	DRIVE ASSEMBLY	1	-
11	POLISHING SUPPORT ASSEMBLY	1	-
12	PHILLIPS PAN HEAD MACHINE SCREW M6X12 ZB THREAD 1.0	4	11
13	HEIGHT ADJUSTMENT GUIDE	2	4308
14	FLAT WASHER M6 ZB	6	232
15	HEX SCREW M6X10 ZB THREAD 1.0	2	3346
16	ROUND KNOB M6X22 THREAD 1.0	2	2176
17	RIGHT RULER	1	-
18	LEFT RULER	1	-
19	EXTENSION SPRING WD-1.5 OD-15 ID-12 L-70 C-28 GALVANIZED COIL	2	7630
20	LEFT-HEIGHT ADJUSTMENT TEMPLATE	1	8006
21	RIGHT- HEIGHT ADJUSTMENT TEMPLATE	1	8008

**Main Assembly**

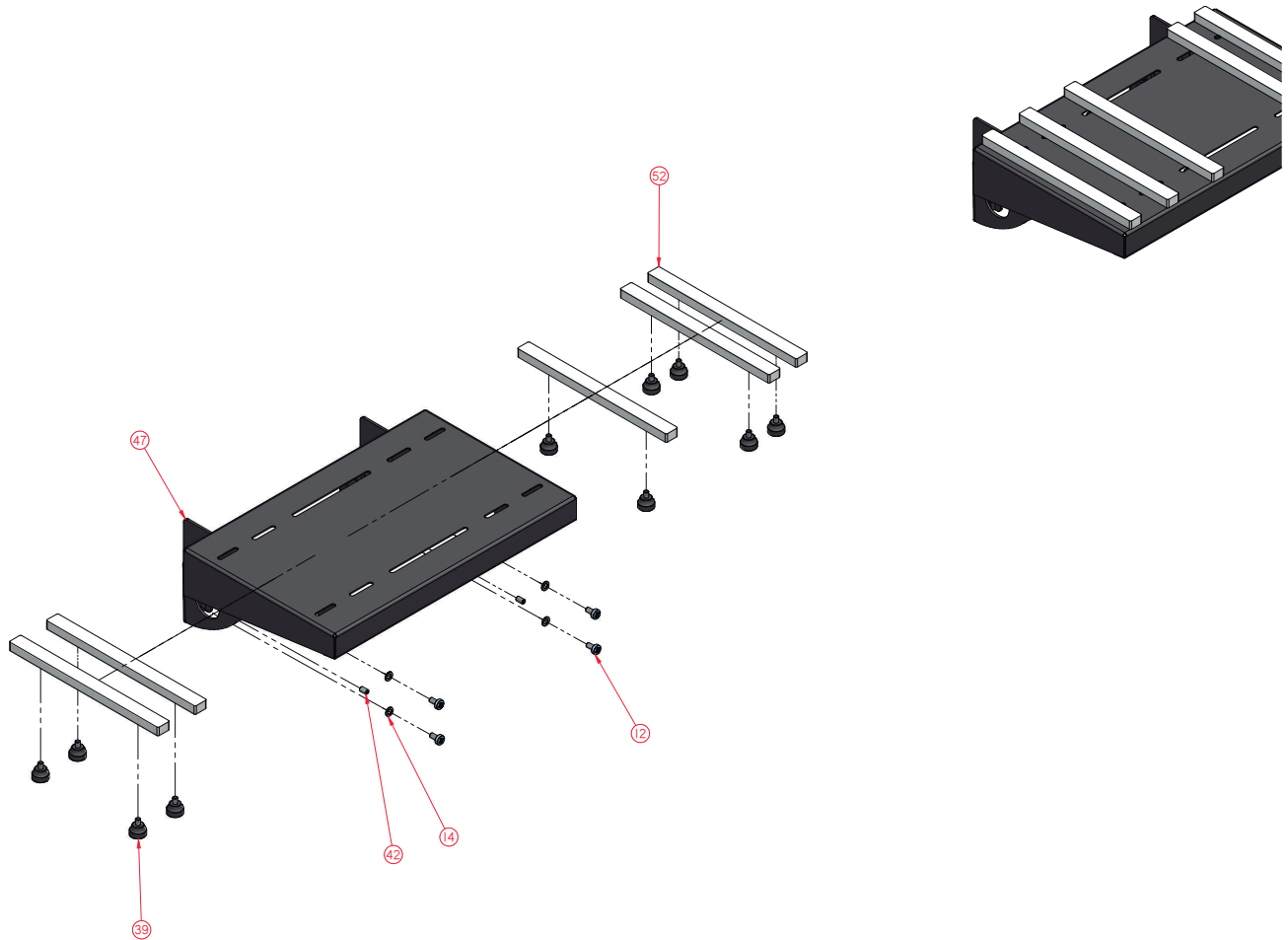


**Main Assembly**

Item	Description	Qty	Part N°
22	STRUCTURE ASSEMBLY	1	2295
23	MANUAL STOP ASSEMBLY	1	-
24	FLUSH SCRAPER ASSEMBLY	1	-
25	ENTRY GUIDE	1	-
26	MAIN GUIDE	1	-
27	HEX NUT M8 ZB THREAD 1.25	4	2470
28	LEVELING FOOT BOLT 4013 M8X30	4	3339
29	ROUND KNOB M6X14 THREAD 1.0	4	7448
30	ELECTRIAL COUPLING ID=9MM / HOLE=13MM/ THICKNESS=2MM	2	3906
31	FLAT SOCKET CAP SCREWS M6X16 ZB THREAD 1.0	5	3591
32	SLIDE PLATE	1	-
33	PHENOLIC TABLE SLIDES 13X30X800MM	2	-
34	RECEPTACLE 110V	1	8272
35	DUST COLLECTION PORT ASSEMBLY	1	-
36	HEX RIVET NUT M10 THREAD 1.5 BICHROMATIZED	2	7678
37	EXHAUST OUTLET ASSEMBLY	1	-

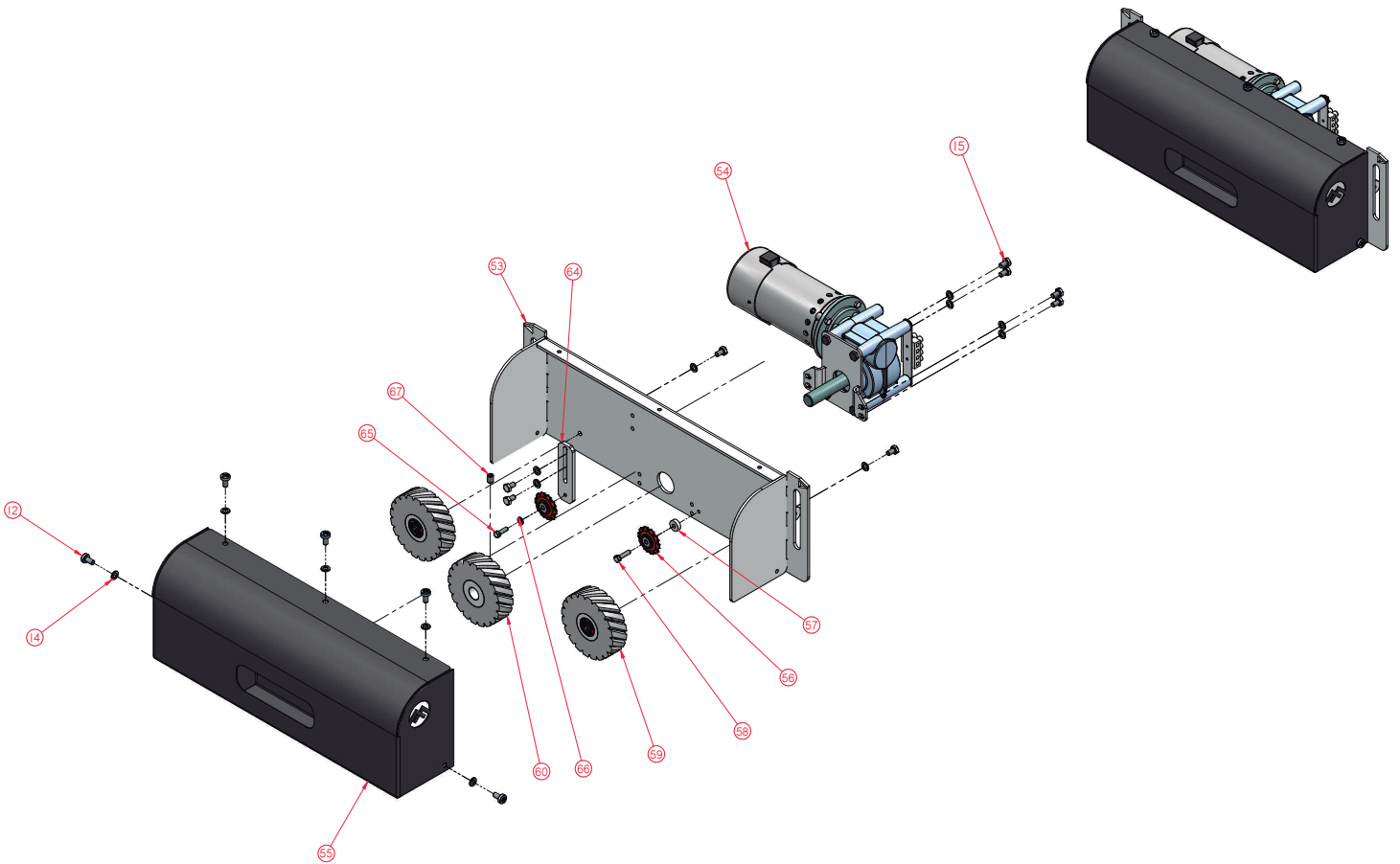
**Infeed Extension Table Assembly**


Item	Description	Qty	Part N°
12	PHILLIPS PAN HEAD MACHINE SCREW M6X12 ZB THREAD 1.0	4	11
14	FLAT WASHER M6 ZB	6	232
15	HEX SCREW M6X10 ZB THREAD 1.0	2	3346
25	INFEED GUIDED	1	-
38	INFEED EXTENSION TABLE BASE	1	4605
39	ROUND KNOB M6X10 THREAD 1.0	10	3455
42	SOCKET SET SCREW M6X10 THREAD 1.0 HEX DRIVE FLAT POINT BLACK OXIDE FINISH ALLOY STEEL	2	2500
43	FENCE BASE	1	2653
46	PHENOLIC TABLE SLIDES 13X35X245 MM	5	-

**Outfeed Extension Table Assembly**


Item	Description	Qty	Part N°
12	PHILLIPS PAN HEAD MACHINE SCREW M6X12 ZB THREAD 1.0	4	11
14	FLAT WASHER M6 ZB	4	232
39	ROUND KNOB M6X10 THREAD 1.0	10	3455
42	SOCKET SET SCREW M6X10 THREAD 1.0 HEX DRIVE FLAT POINT BLACK OXIDE FINISH ALLOY STEEL	2	2500
47	OUTFEED EXTENSION TABLE BASE	1	4609
52	PHENOLIC TABLE SLIDES 13X35X245 MM	5	-

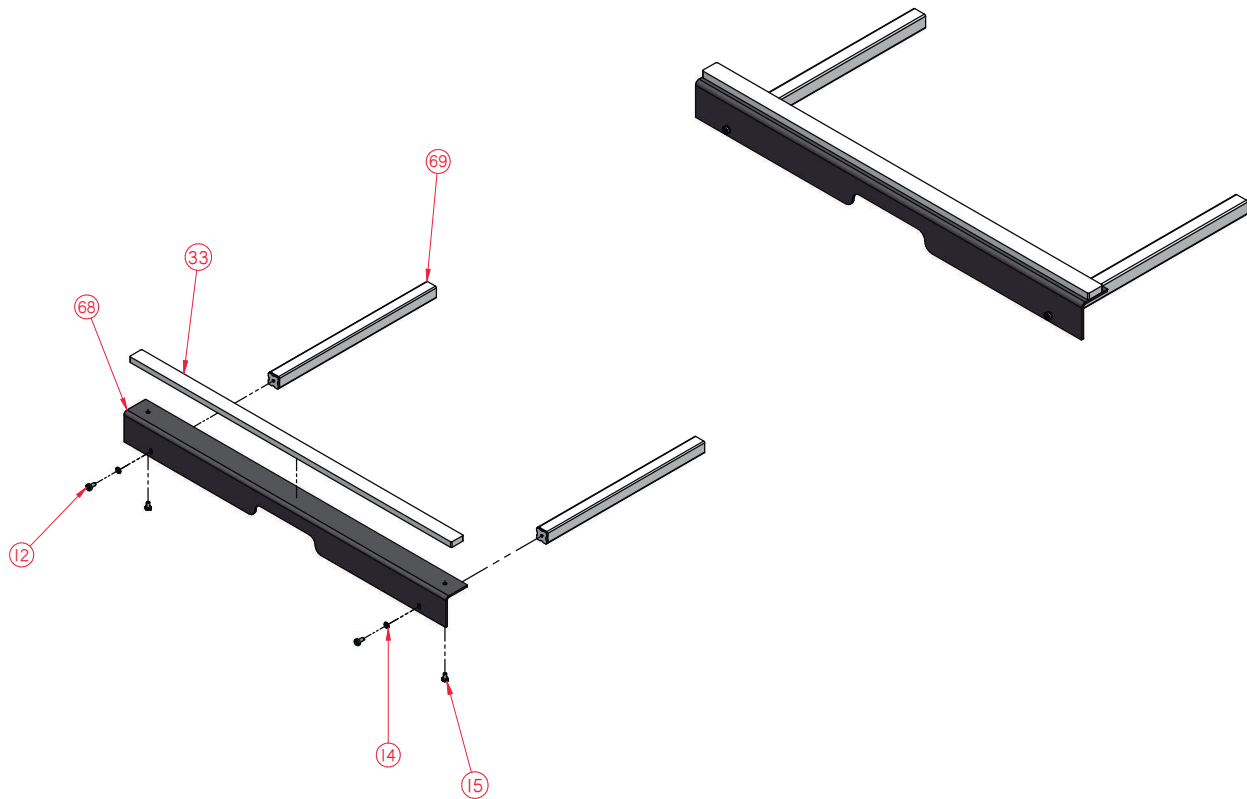
Drive Assembly



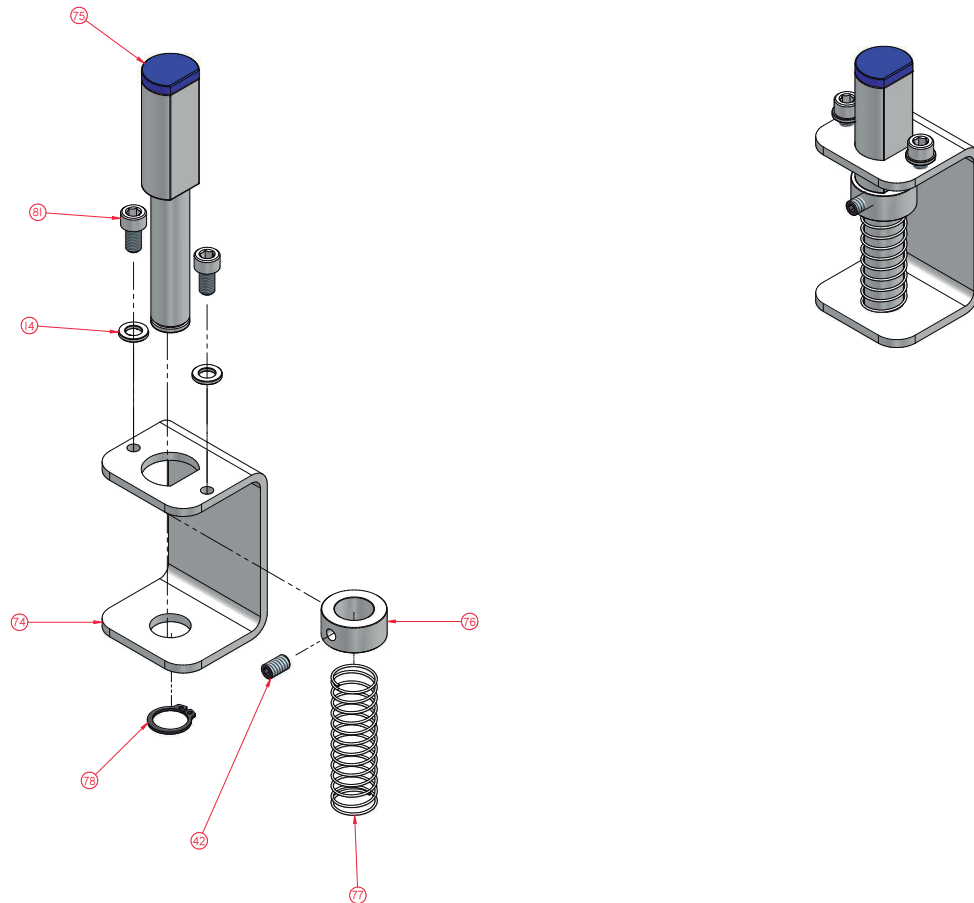


**Drive Assembly**

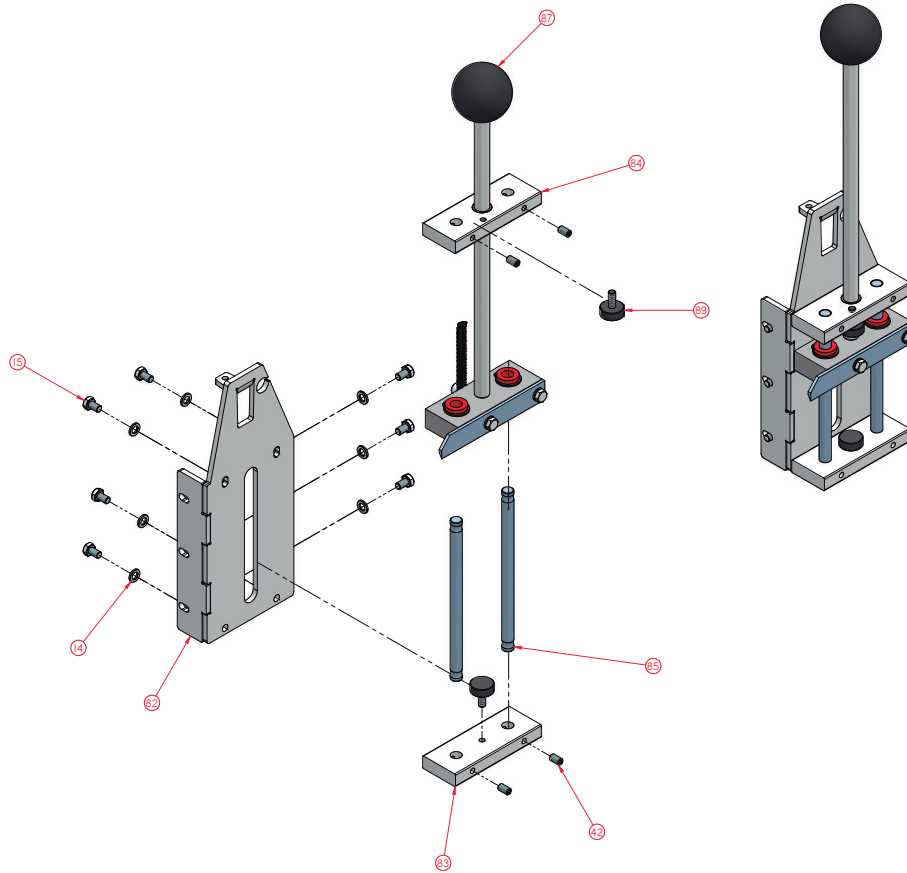
Item	Description	Qty	Part N°
12	PHILLIPS PAN HEAD MACHINE SCREW M6X12 ZB THREAD 1.0	5	11
14	FLAT WASHER M6 ZB	13	232
39	HEX SCREW M6X10 ZB THREAD 1.0	8	3346
53	MOTOR SUPPORT ASSEMBLY	1	7753
54	GEAR MOTOR ASSEMBLY	1	-
55	DRIVE COVER	1	2292
56	BLACK GEAR PULLEY (MOD. SX-50 SIDE 38X24X16)	2	2330
57	PLASTIC GEAR SPACER	1	7749
58	HEX SCREW M5X20 ZB THREAD 0.8	1	3345
59	SUPPORT WHEEL	2	-
60	DRIVE WHEEL	1	7756
64	CHAIN TENSIONER	1	7747
65	HEX SCREW M5X16 ZB THREAD 0.8	1	4480
66	FLAT WASHER M5 ZB	1	230
67	SOCKET SET SCREW M8X10 THREAD 1.0 HEX DRIVE FLAT POINT BLACK OXIDE FINISH ALLOY STEEL	1	3645

**Extender Base Assembly**


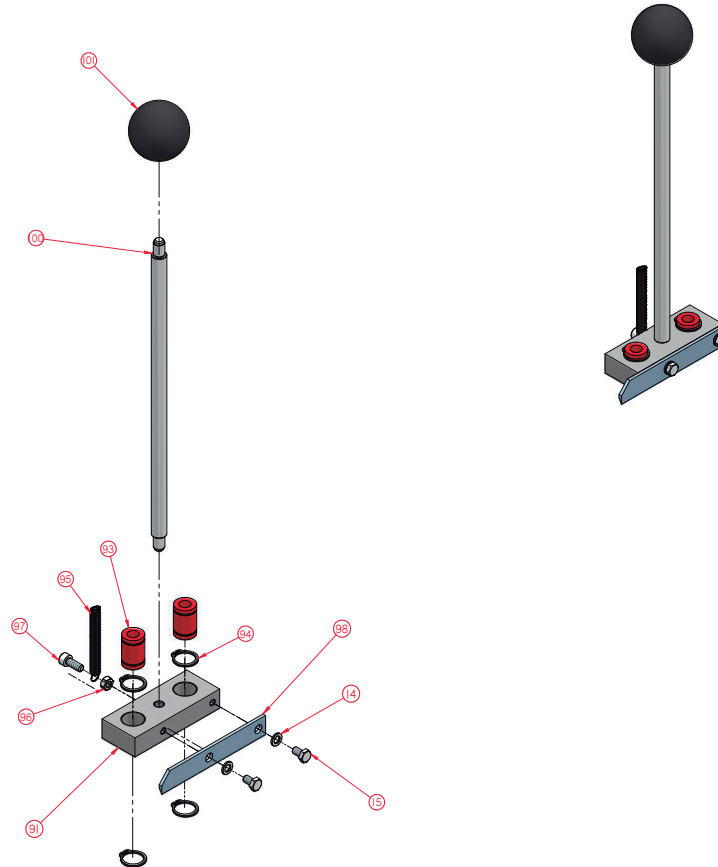
Item	Description	Qty	Part N°
12	PHILLIPS PAN HEAD MACHINE SCREW M6X12 ZB THREAD 1.0	2	11
14	FLAT WASHER M6 ZB	2	232
15	HEX SCREW M6X10 ZB THREAD 1.0	2	3346
33	PHENOLIC TABLE SLIDE 13X30X800 MM	1	-
68	EXTENSION BASE	1	3665
69	BASE ROD EXTENDER ASSEMBLY	2	7751

**Manual Stop Assembly**


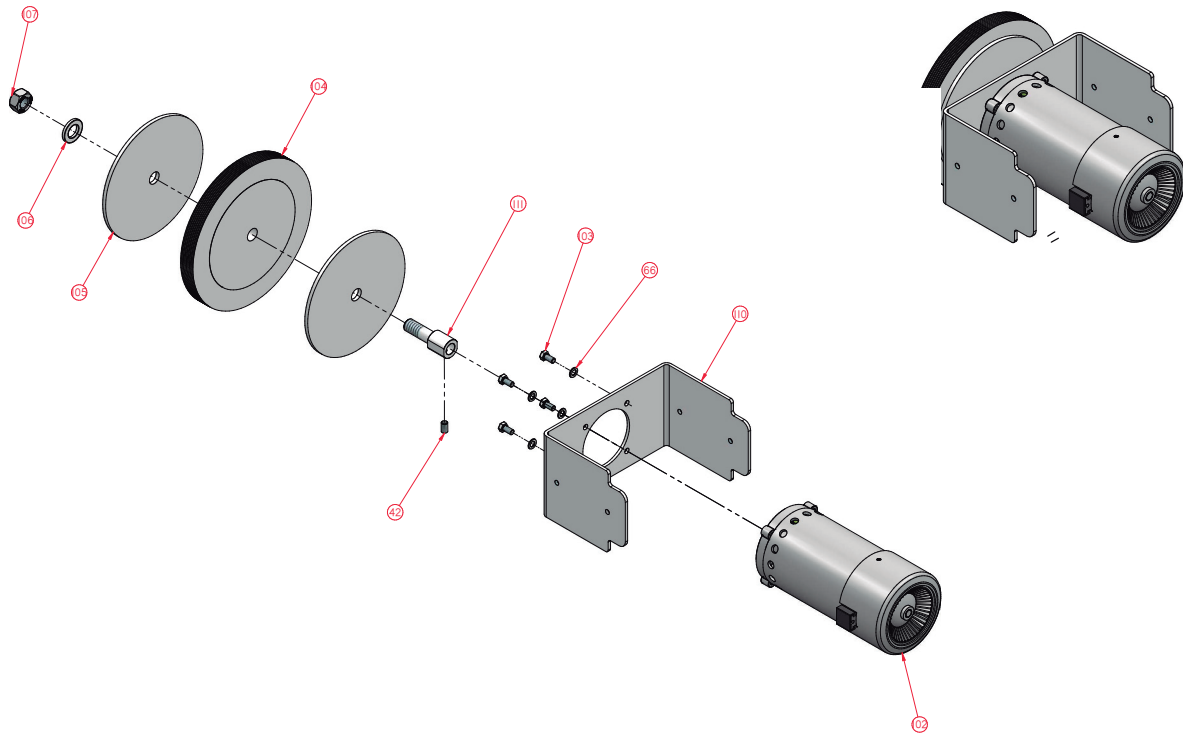
Item	Description	Qty	Part N°
14	FLAT WASHER M6 ZB	2	2500
42	SOCKET SET SCREW M6X10 THREAD 1.0 HEX DRIVE FLAT POINT BLACK OXIDE FINISH ALLOY STEEL	1	2500
74	STOP PIN SUPPORT	1	7770
75	STOP PIN	1	7773
76	SPRING STOP ADJUSTMENT	1	7775
77	COMPRESSION SPRING WD-0.9 OD-17.8 ID-16 L-60 P-6 C-10 GALVANIZED	1	7631
78	EXTERNAL RETAINING RING 15MM DIA. SHAFT	1	974
81	SOCKET CAP SCREWS M6X16 STAINLESS STEEL THREAD 1.0	2	3477

**Knife Support Assembly**


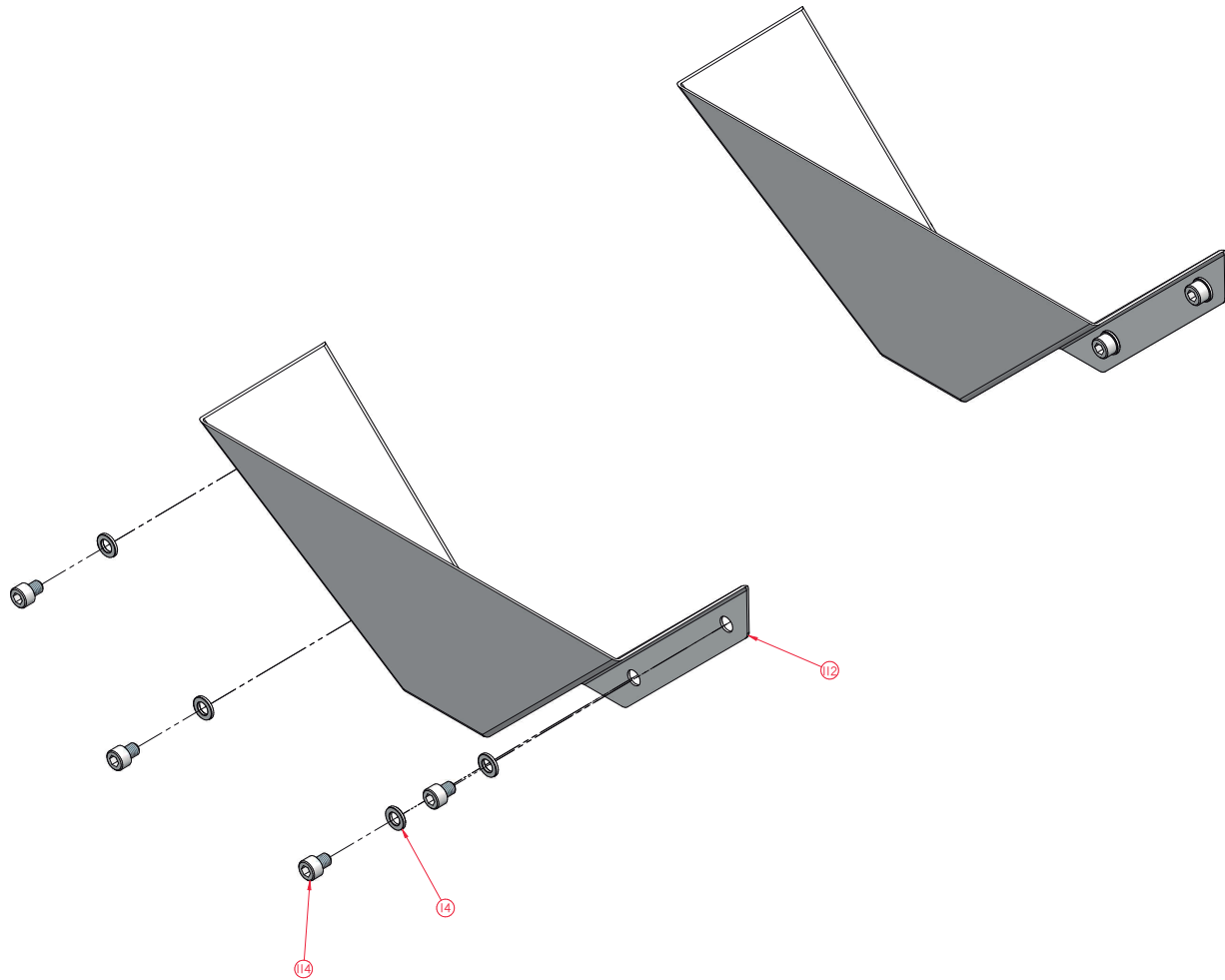
Item	Description	Qty	Part N°
14	FLAT WASHER M6 ZB	7	232
15	HEX SCREW M6X10 ZB THREAD 1.0	7	3346
42	SOCKET SET SCREW M6X10 THREAD 1.0 HEX DRIVE FLAT POINT BLACK OXIDE FINISH ALLOY STEEL	4	2500
82	WELDED STOPPER BASE ASSEMBLY	1	4042
83	LOWER CUTTING KNIFE BASE	1	7758
84	UPPER CUTTING KNIFE BASE	1	7760
85	GUIDE PINS	2	-
87	KNIFE ASSEMBLY -PAGE 9	1	-
89	STOPPER	2	8208

**Knife Assembly**


Item	Description	Qty	Part N°
14	FLAT WASHER M6 ZB	2	232
15	HEX SCREW M6X10 ZB THREAD 1.0	2	3346
91	CUTTING KNIFE SUPPORT	1	-
93	LINEAR BEARING	2	155
94	EXTERNAL RETAINING RING 19MM DIA. SHAFT	1	447
95	EXTENSION SPRING WD- 0.8 OD-8 ID-6.4 L-65 C-74 GALVANIZED	1	5804
96	HEX NUT M6 ZB THREAD 1.0	1	260
97	SOCKET CAP SCREWS M6X16 STAINLESS STEEL THREAD 1.0	1	3701
98	KNIFE 3X19X120MM	1	7645
100	KNIFE PIN	1	7762
101	BALL HANDLE 3/8 THREAD	1	164

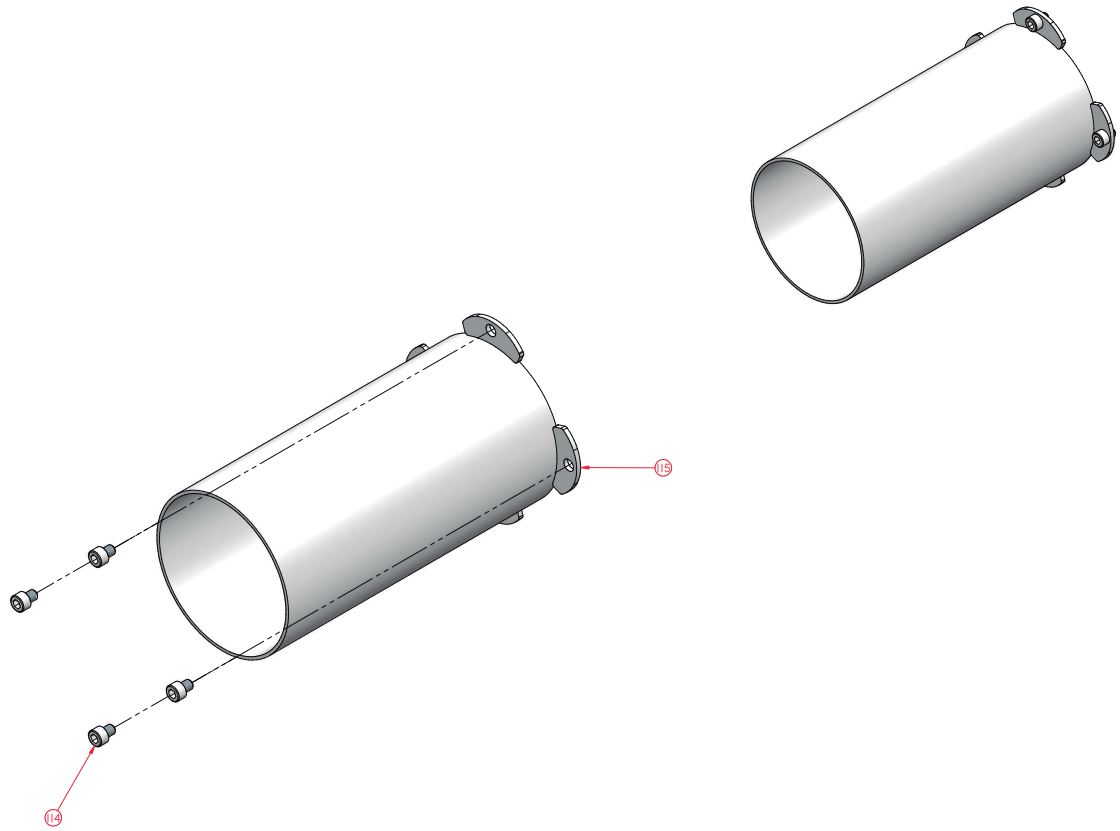
**Polishing Support Assembly**


Item	Description	Qty	Part N°
42	SOCKET SET SCREW M6X10 THREAD 1.0 HEX DRIVE FLAT POINT BLACK OXIDE FINISH ALLOY STEEL	1	2500
66	FLAT WASHER M5 ZB	4	230
102	1 PH ELECTRIC MOTOR DC 110V 775W 7A	1	7683
103	HEX SCREW M5X10 ZB THREAD 0.8	4	186
104	POLISHING CLOTH WHEEL	1	7626
105	CLOTH WHEEL FLANGE	2	7777
106	FLAT WASHER M12 ZB	1	2203
107	HEX NUT M12 ZB THREAD 1.75	1	264
110	MOTOR BRACKET	1	2885
111	MOTOR SHAFT ADAPTER	1	7779

**Exhaust Outlet Assembly**


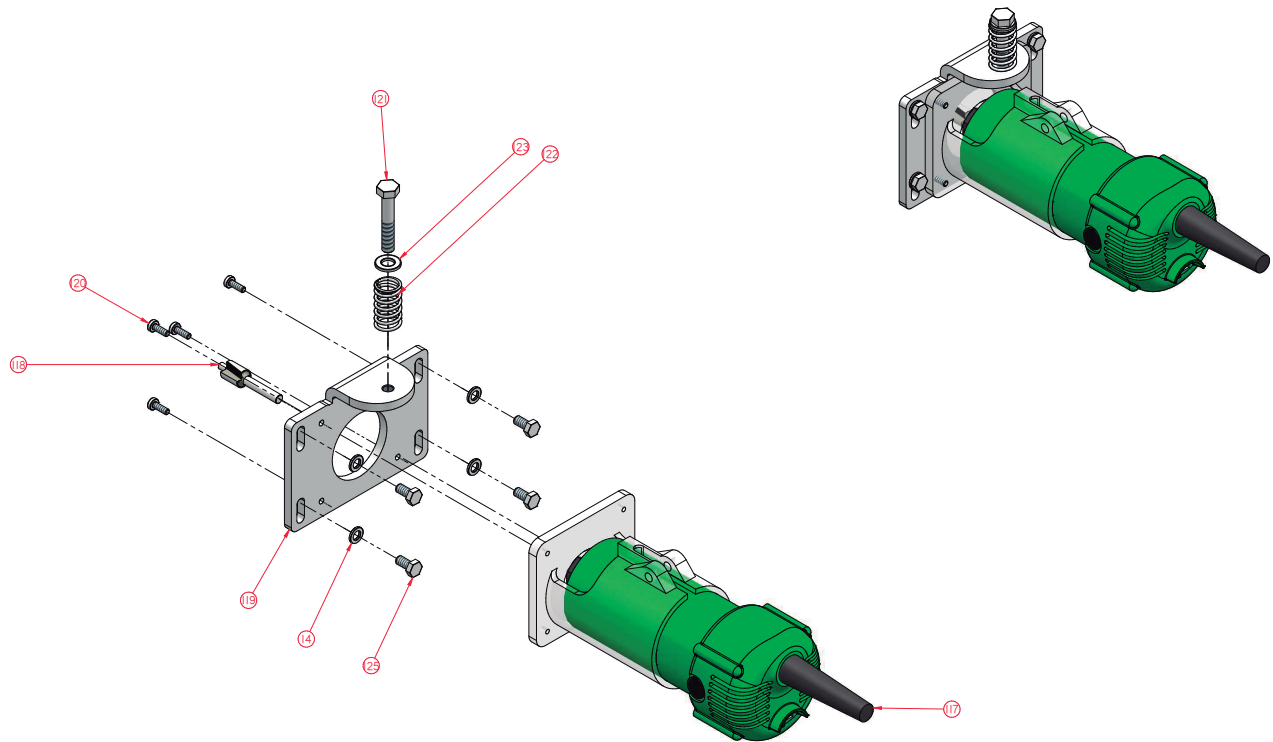
Item	Description	Qty	Part N°
14	FLAT WASHER M6 ZB	1	232
112	EXHAUST HOOD	1	3077
114	SOCKET CAP SCREWS M6X8 STAINLESS STEEL THREAD 1.0	1	5569

Dust Port Assembly

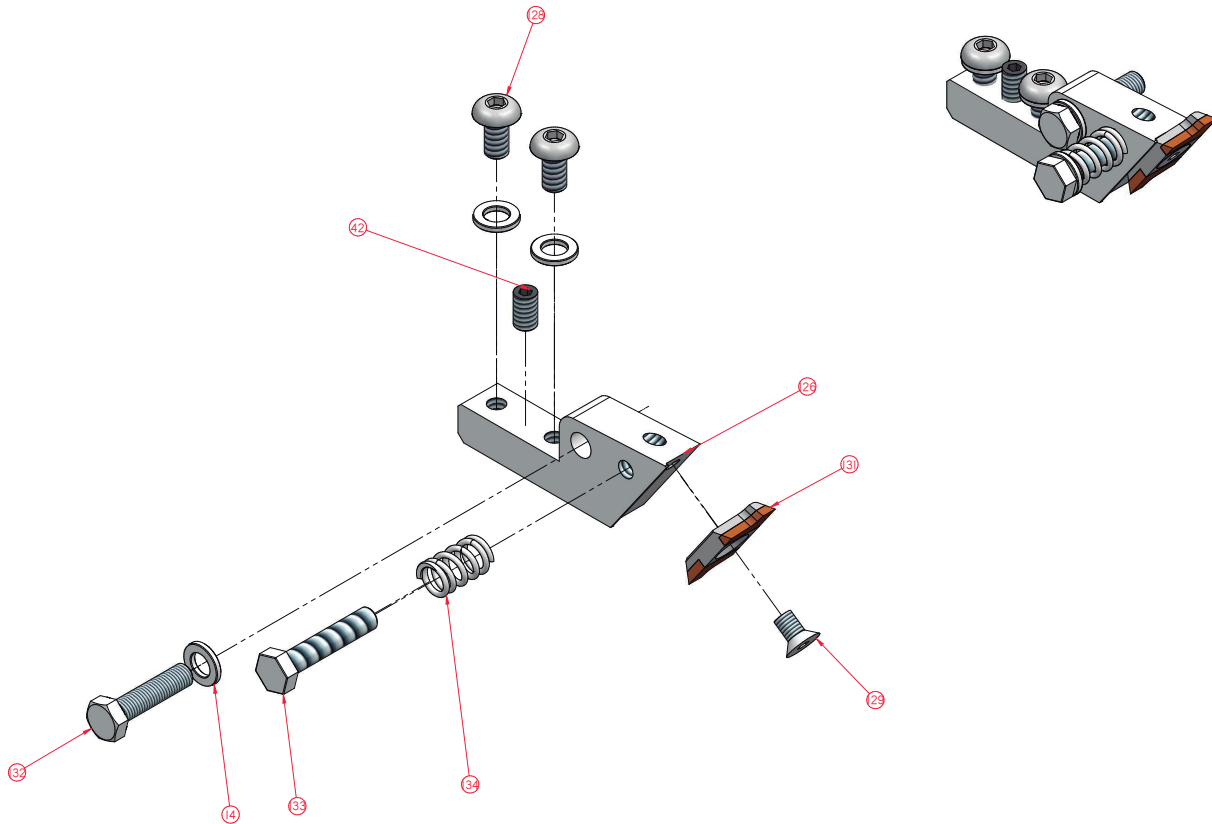


Item	Description	Qty	Part N°
114	SOCKET CAP SCREWS M6X8 STAINLESS STEEL THREAD 1.0	4	5569
115	DUST PORT	1	3997

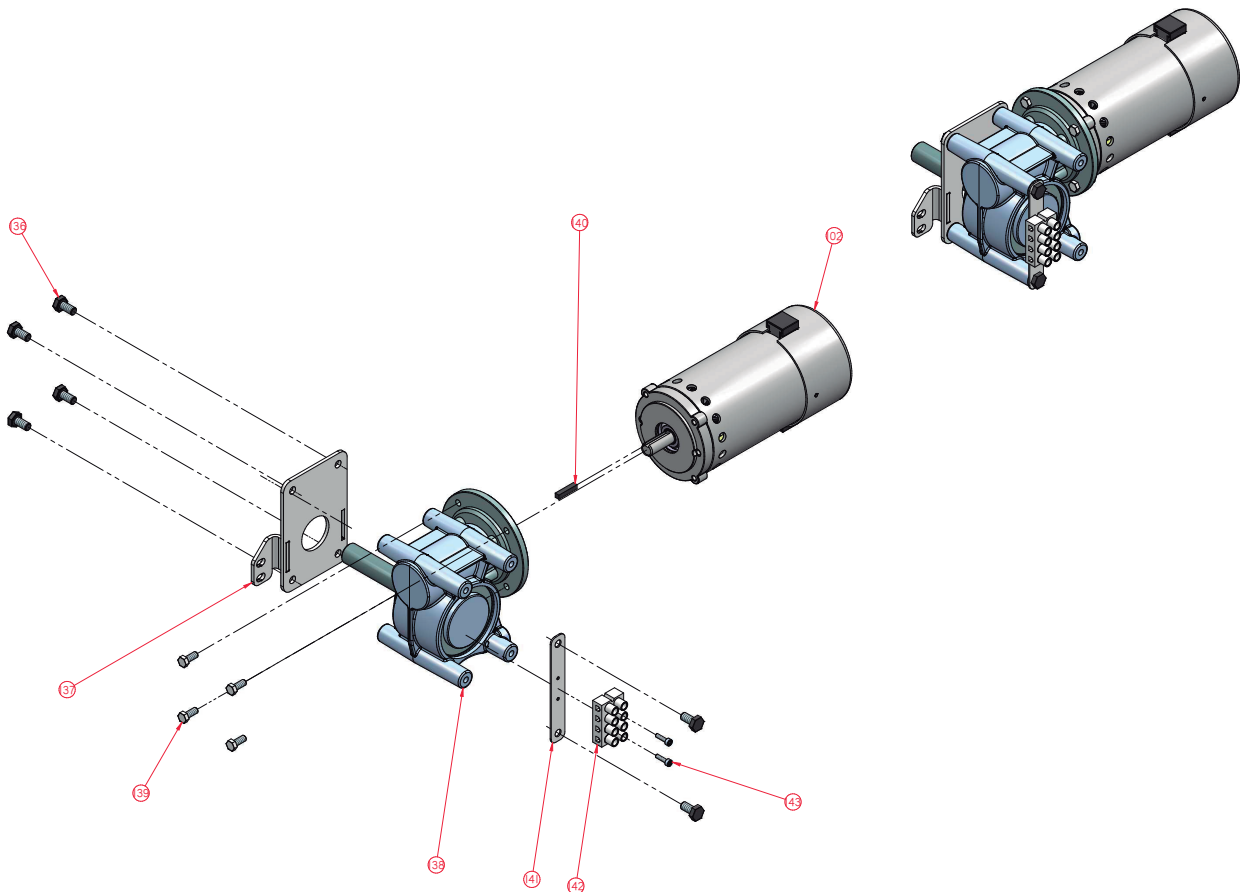


**Router Support**


Item	Description	Qty	Part N°
14	FLAT WASHER M6 ZB	4	232
117	ROUTER	1	116-696
118	ROUTER BIT 1/2"	1	1101
119	ROUTER BRACKET	1	3014
120	PHILLIPS PAN HEAD MACHINE SCREW M4X12 ZB THREAD 0.7	4	2533
121	HEX SCREW PARTIAL THREAD M8 X 45 ZB THREAD 1.25	1	6571
122	COMPRESSION SPRING WD-2.3 OD-18 ID-13.4 L-32 C- 6 GALVANIZED	1	3661
123	FLAT WASHER M8 ZB	1	234
125	HEX SCREW M6X12 ZB THREAD 1.0	4	3347

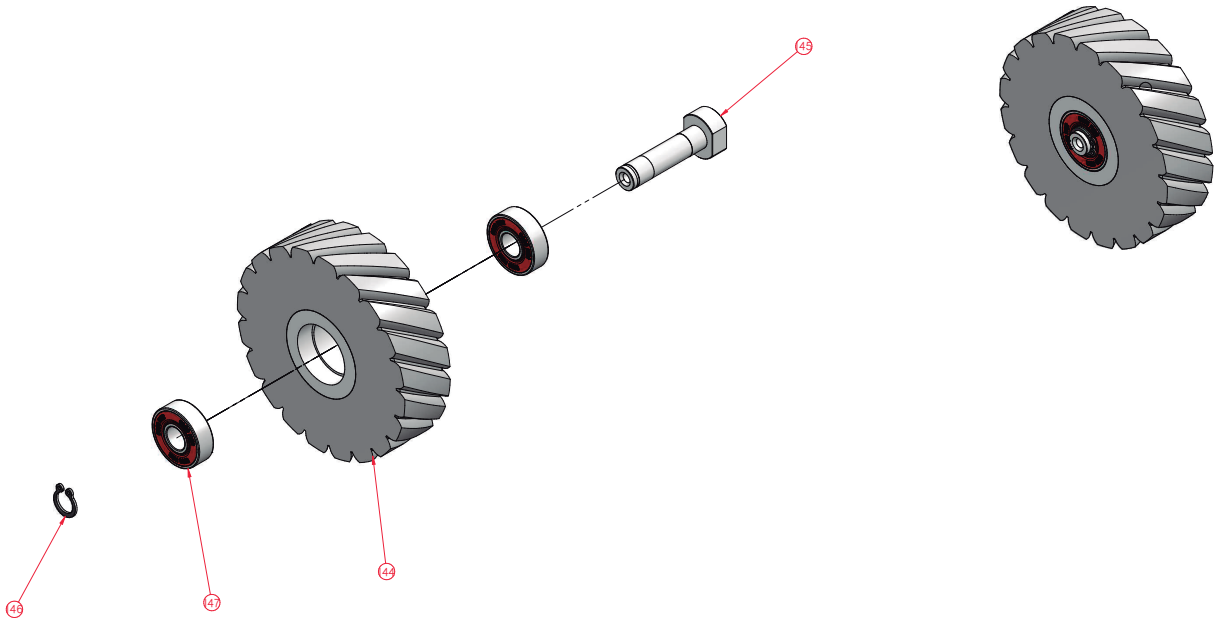
**Scraper Assembly**


Item	Description	Qty	Part N°
14	FLAT WASHER M6 ZB	4	232
42	SOCKET SET SCREW M6X10 THREAD 1.0 HEX DRIVE FLAT POINT BLACK OXIDE FINISH ALLOY STEEL	1	2500
126	SCRAPER KNIFE SUPPORT	1	7781
128	BUTTON SOCKET CAP SCREWS M6X12 STAIN- LESS STEEL THREAD 1.0	2	46
129	FLAT SOCKET CAP SCREWS M5X10 ZB THREAD 0.8	1	3242
131	SCRAPER BIT	1	7646
132	HEX SCREW M6X25 ZB THREAD 1.0	1	189
133	HEX SCREW M6X30 ZB THREAD 1.0	1	3349
134	COMPRESSION SPRING WD-1.5 OD-10.5 ID-7.5 L-16 C-6 GALVANIZED	1	862

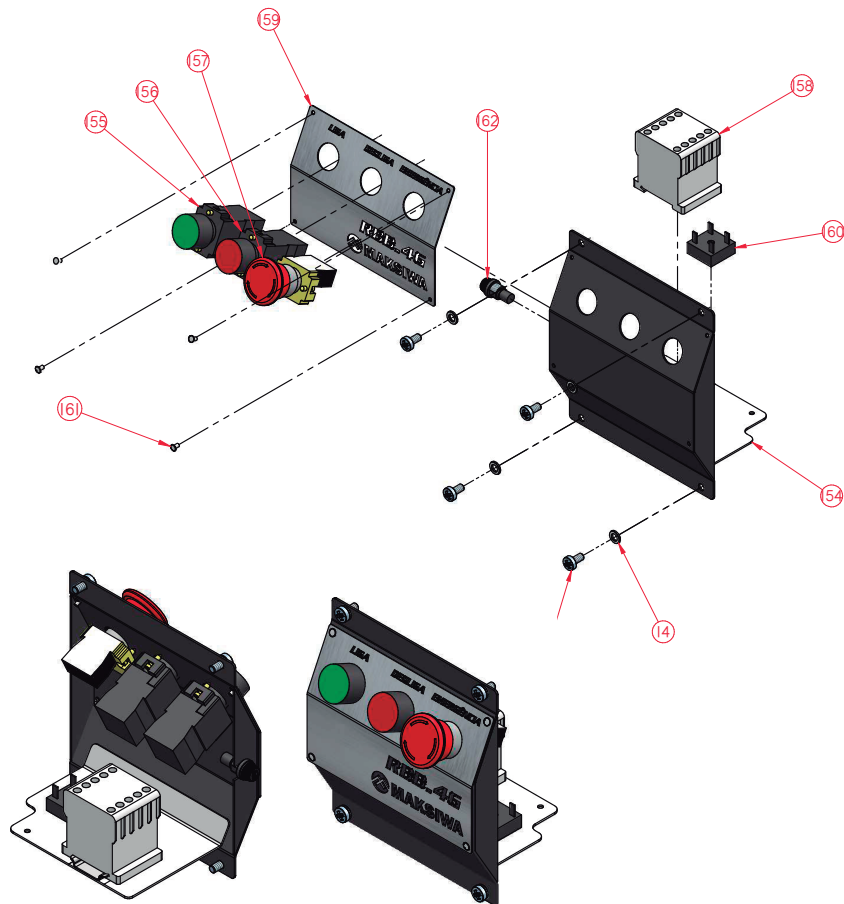
**Wheel Gearmotor Assembly**


Item	Description	Qty	Part N°
102	1 PH ELECTRIC MOTOR DC 110V 775W 7A	1	7683
136	HEX SCREW 1/4 - 20 X1/2 STAINLESS STEEL	6	99
137	GEARMOTOR BRACKET	1	4139
138	REDUCER 1/56 MKP38 C63B14	1	7641
139	HEX SCREW M5X12 ZB THREAD 0.8	4	4536
140	4X4 KEY	1	-
141	ELECTRICAL TERMINAL BAR SUPPORT BRACKET	1	2185
142	WHITE ELECTRICAL TERMINAL BAR 8 WIRE INLETS 6MM/600V 25A	1	5626
143	STAINLESS STEEL SOCKET CAP SCREW M3X12 THREAD 0.5	2	5

Wheel Assembly

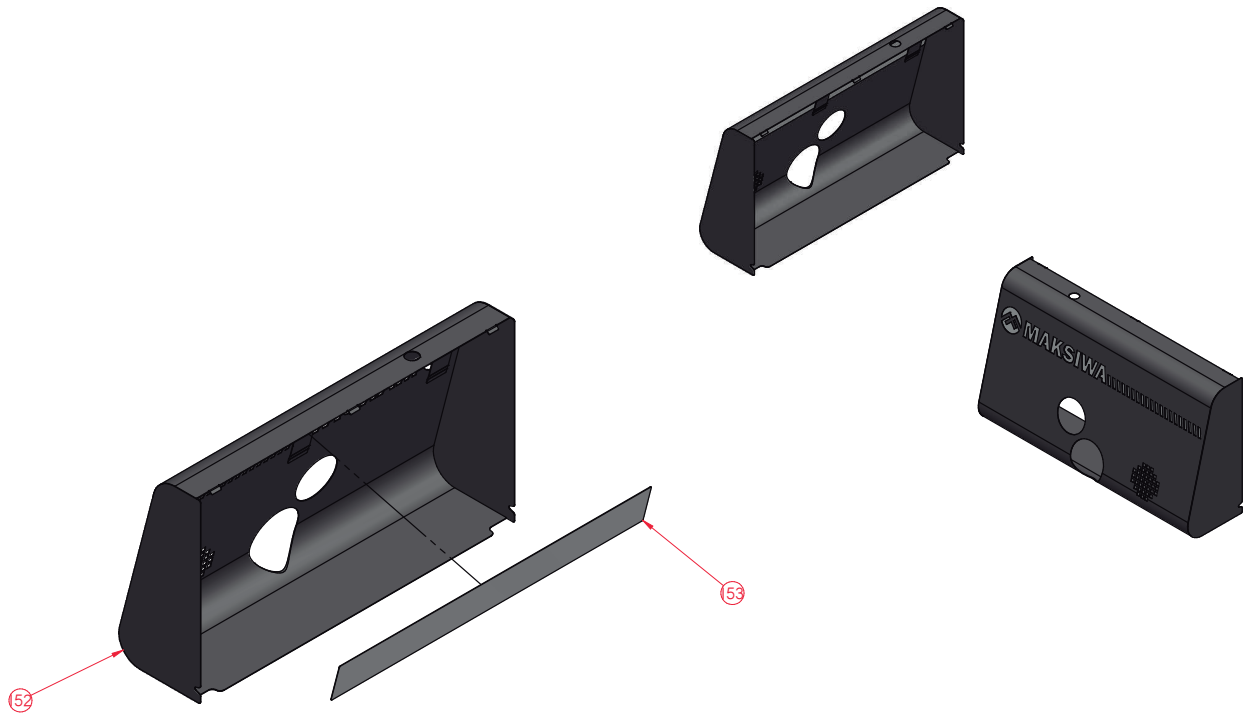


Item	Description	Qty	Part N°
144	DRIVE WHEEL	1	7718
145	DRIVE WHEEL AXLE	1	7722
146	EXTERNAL RETAINING RING 10MM DIA. SHAFT	1	7635
147	BEARING	2	2977

**Control Panel Assembly**








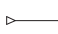
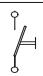
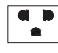





Item	Description	Qty	Part N°
12	PHILLIPS PAN HEAD MACHINE SCREW M6X12 ZB THREAD 1.0	4	11
14	FLAT WASHER M6 ZB	4	232
154	CONTROL PANEL	1	3998
155	ON BUTTON	1	1440
156	OFF BUTTON	1	7091
157	EMERGENCY BUTTON	1	7092
158	CONTACTOR	1	7785
159	CONTROL PANEL PLACA	1	-
160	BRIDGE RECTIFIER	1	2327
161	RIVET 3.2X06MM	4	6636
162	ROUND FUSE HOLDER BLACK 5X20MM 10AMP	1	7611

Rear Cover Assembly

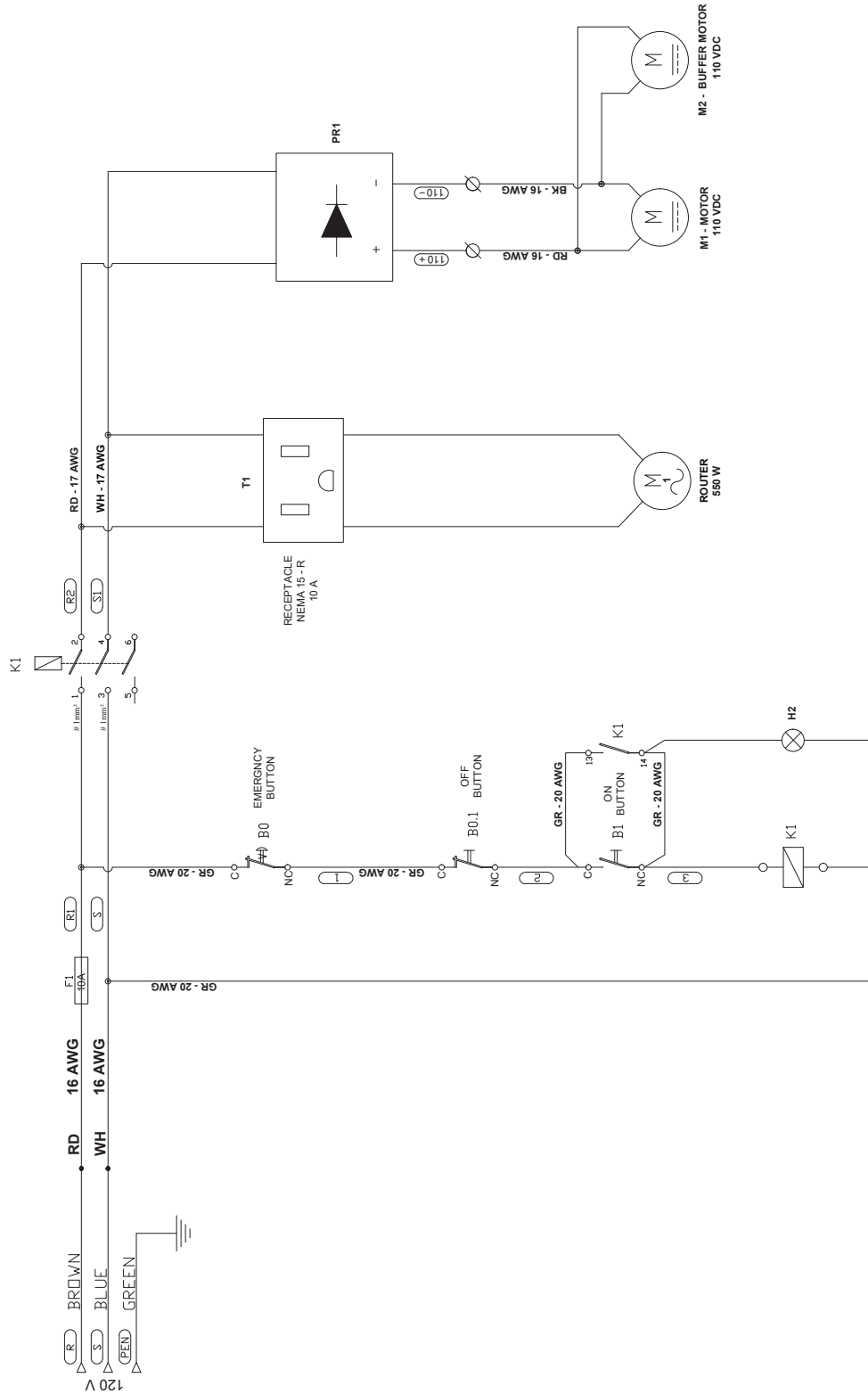


Item	Description	Qty	Part N°
152	REAR COVER	1	4598
153	REAR COVER BACKGROUND	1	-

**8 Wiring Diagram**

 <b>XC1 - POWER CONNECTOR</b>	 <b>CONTACTOR COIL</b>
 <b>FUSE 10A</b>	 <b>2 POSTION BUTTON NC/NO</b>
 <b>GO TO .....</b>	 <b>BUTTON NC</b>
 <b>COMES FROM .....</b>	 <b>BUTTON NO</b>
 <b>RECEPTACLE</b>	 <b>CONTACTOR</b>
 <b>MAIN POWER SWITCH</b>	 <b>Router 1 PH 110 V AC</b>
 <b>AC/DC POWER - RECTIFIER</b>	 <b>MOTOR DC</b>

<b>Item Name list- CBC.2/MR</b>		
<b>Item</b>	<b>Description</b>	<b>Application</b>
K1	MINI CONTATOR 7A/AC3 - BOB: 220VCA - 1NA	General
B0	EMERGENCY BUTTION - 1 NF	Emergency
B0.1	TURN OFF BUTTION - 1NF	Turn OFF the Machine
B1 + H2	TURN ON BUTTION - 24 CA/CC	Turn On the Machine
PR1	RETIFIER BRIDGE 10A	Font CC
T1	POWER CONECTOR - 10	router
M1	MOTOR 180 VCC	advance
m2	MOTOR 18 VCC	Polisher





## 7 Terms of Warranty

MAKSIWA assures the owner that their equipment, identified by the Serial number issued on the Warranty Terms.

The equipment under warranty, for two (2) years, is as followed:

1. The warranty period begins on the date of the Warranty Terms below.
2. Within the warranty period, the manual labor and the components replaced by manufacturing defect will be provided for free if duly proved by Maksiwa Service.
3. Third-party manufacturing equipment that makes up the MAKSIWA equipment (such as motors, electrical equipment, belts etc.) are subject to the terms and conditions of warranty of their respective manufacturers.
4. In case an exchange of machine is needed, please return the defective part or machine to MAKSIWA.
5. All workplace adaptations for the equipment are under the responsibility of the machine owner.
6. If you notice any defect or malfunction when receiving the equipment, get in touch immediately with the manufacturer or Dealer. Do not turn it on.
7. Not included in this warranty is any technical visits aimed at cleaning or adjustments caused by wear, resulting from normal use of the equipment.
8. The warranty does not cover problems caused by mistreatment, carelessness, misuse or inappropriate use of the functions designed for this equipment in this manual, as well as poorly executed operations by untrained operators to operate it.
9. MAKSIWA is not responsible for lost productivity, direct or indirect damages caused to the owner of the equipment or to third parties, or any other expense, including lost profits.
10. This equipment requires the use of a dust collection system with a minimum of 2 hp.
11. Even under warranty, you may lose its validity as follows:
  - a) Application of non-original components;
  - b) Alteration of its original features;
  - c) Lack of proper maintenance;
  - d) Improper use of the equipment;
  - e) Change in equipment or electronic connections;
  - f) Damage caused by mechanical shock or exposure to unsuitable conditions (humidity, salt spray, corrosive agents, etc.);
  - g) Damage caused by bad weather (floods, flooding, lightning, power outages etc.);
  - h) Maksiwa is not responsible for damages to electrical components cause by power variation in your area.

For your safety, trust the repairs, maintenance and adjustments (including inspection and replacement) for technical assistance recommended by MAKSIWA, always use genuine spare parts and accessories, reassembling to its original machine the same way.

MODEL:

SERIAL NUMBER:

DATE:

LOT NUMBER:

**Imported by:**

**Maksiwa International Inc.**

**4100 N Powerline Rd, Suite D3**

**Pompano Beach, Florida**

**ZIP Code: 33073**

**Telephone: +1 (754) 205-6717 | Call us free: +1 (844) 319-6594**

**E-mail: [tech@maksiwa.com](mailto:tech@maksiwa.com)**

**[www.maksiwa.com](http://www.maksiwa.com)**