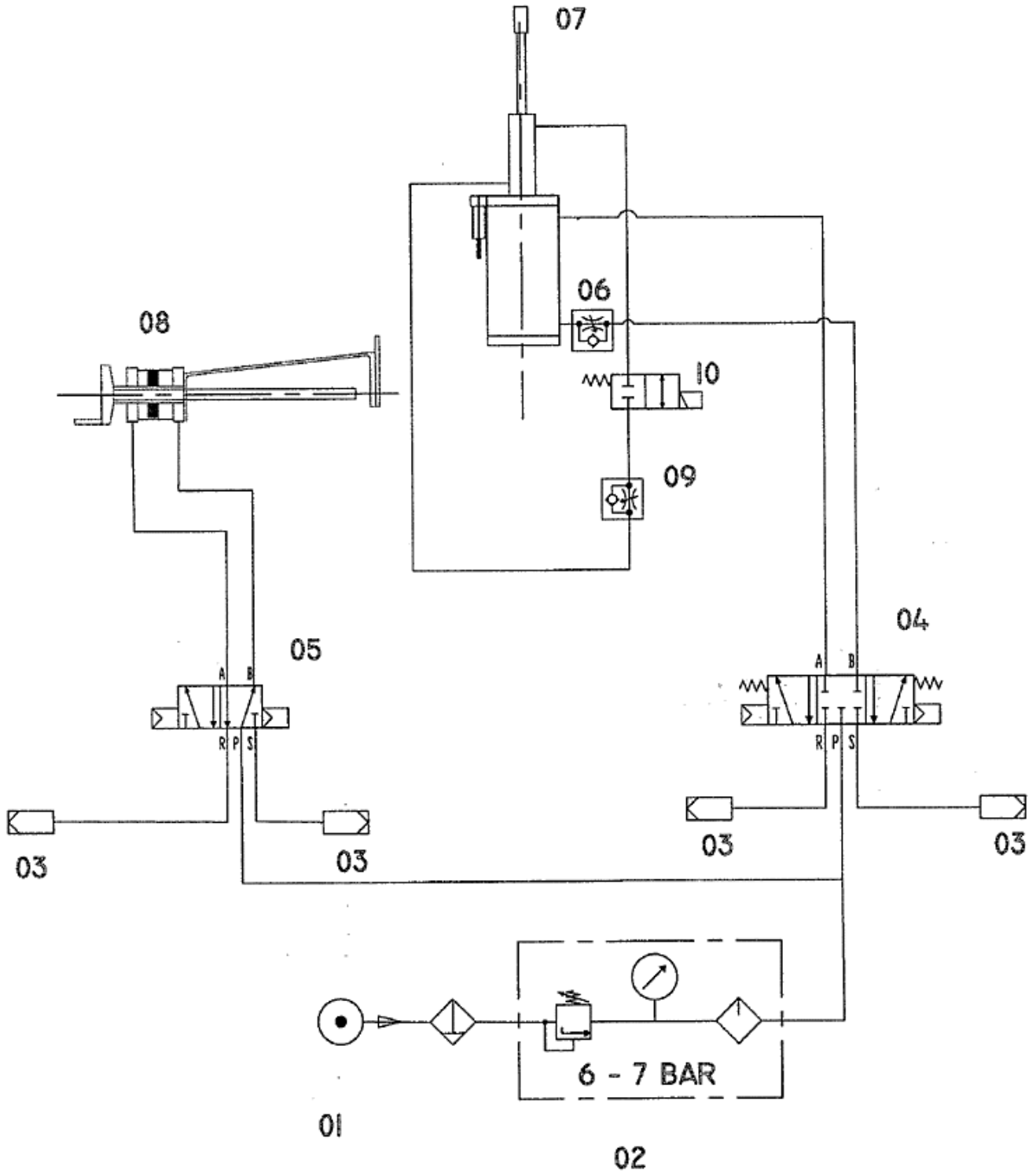
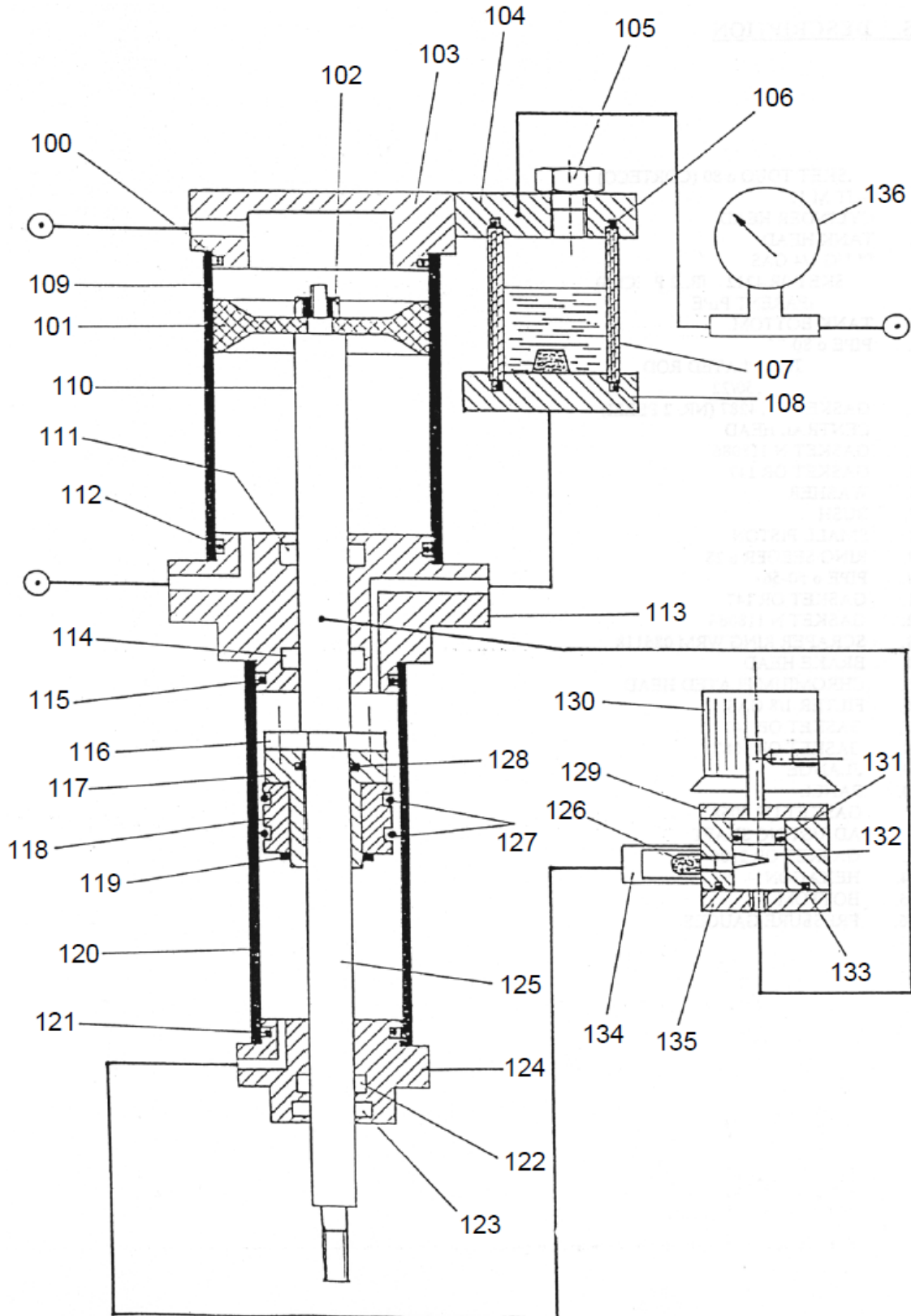


**PNEUMATIC SYSTEM SCHEMATICS**



## EXPLODED VIEWS AND PART LISTS

### Head Cylinder Unit:

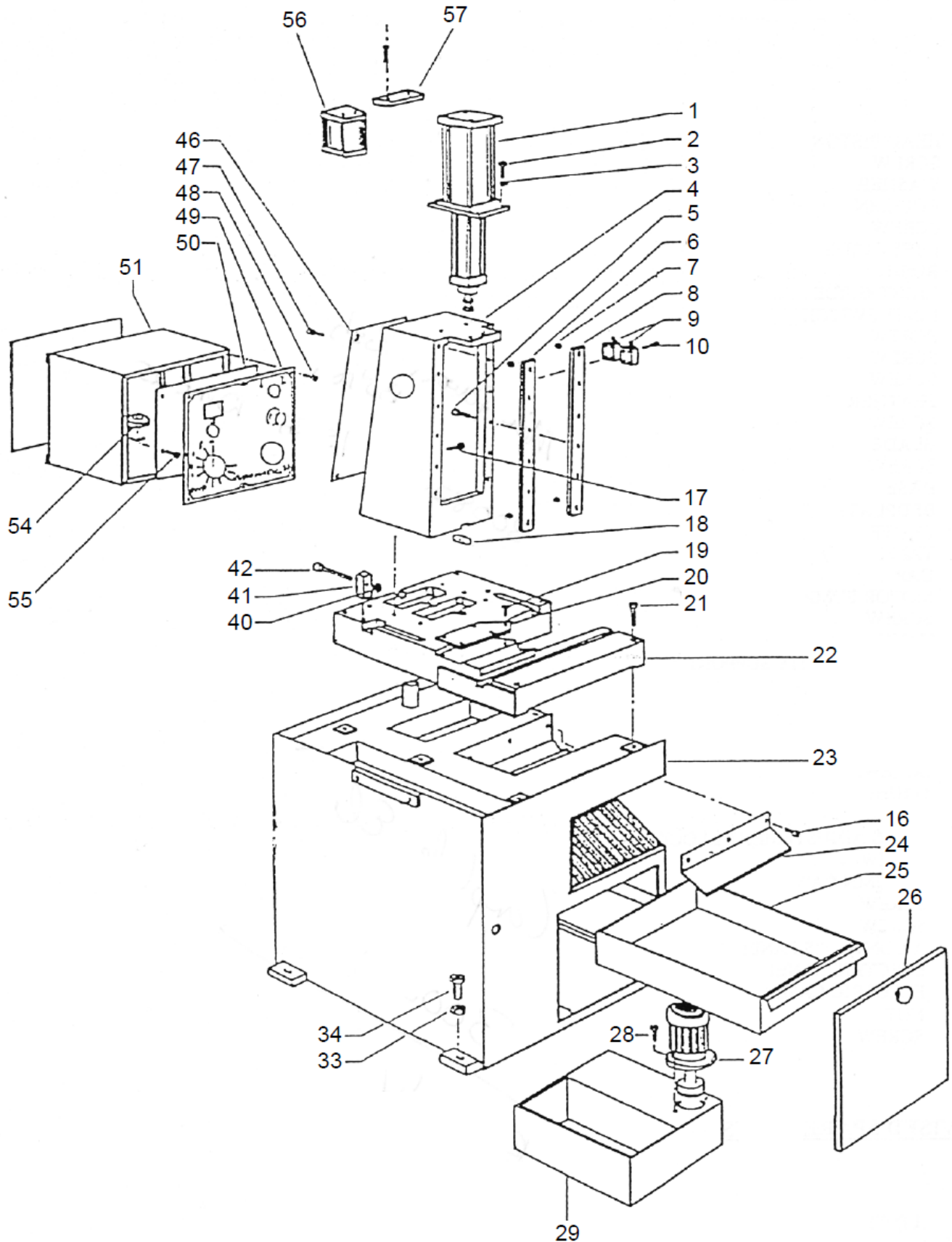




**Head Cylinder Unit:**

<u>Item</u>	<u>Part Name</u>	<u>Part No.</u>
100	Gasket	
101	Gasket	
102*	Nut	
103	Cylinder Head	
104	Tank Head	
105	Plug	
106	Gasket – 2 pieces	11558
107	Transparent Pipe	300273
108	Tank Bottom	
109	Pipe	
110	Chromium Plated Rod	
111	Gasket	
112	Gasket	
113	Central Head	
114	Gasket	
115	Gasket	
116*	Washer	302164
117*	Bushing	
118*	Small Piston	
119*	Seeger Ring	
120	Pipe	
121	Gasket	
122	Gasket	
123	Scraper Ring	
124	Brake Head	
125	Chromium Plated Head	
126	Filter	
127	Gasket	
128	Gasket	
129	Flange	
130	Panel	
131	Gasket	
132	Adjusting Shaft	
133	Gasket	
134		
135		
136	Pressure Gauges	
Complete Cylinder		301332
* Cylinder Repair Kit (Items: 101, 106, 111, 112, 114, 115, 122, 123, 126, 127, 128, 131, 133)		300155

**Bedplate Unit:**

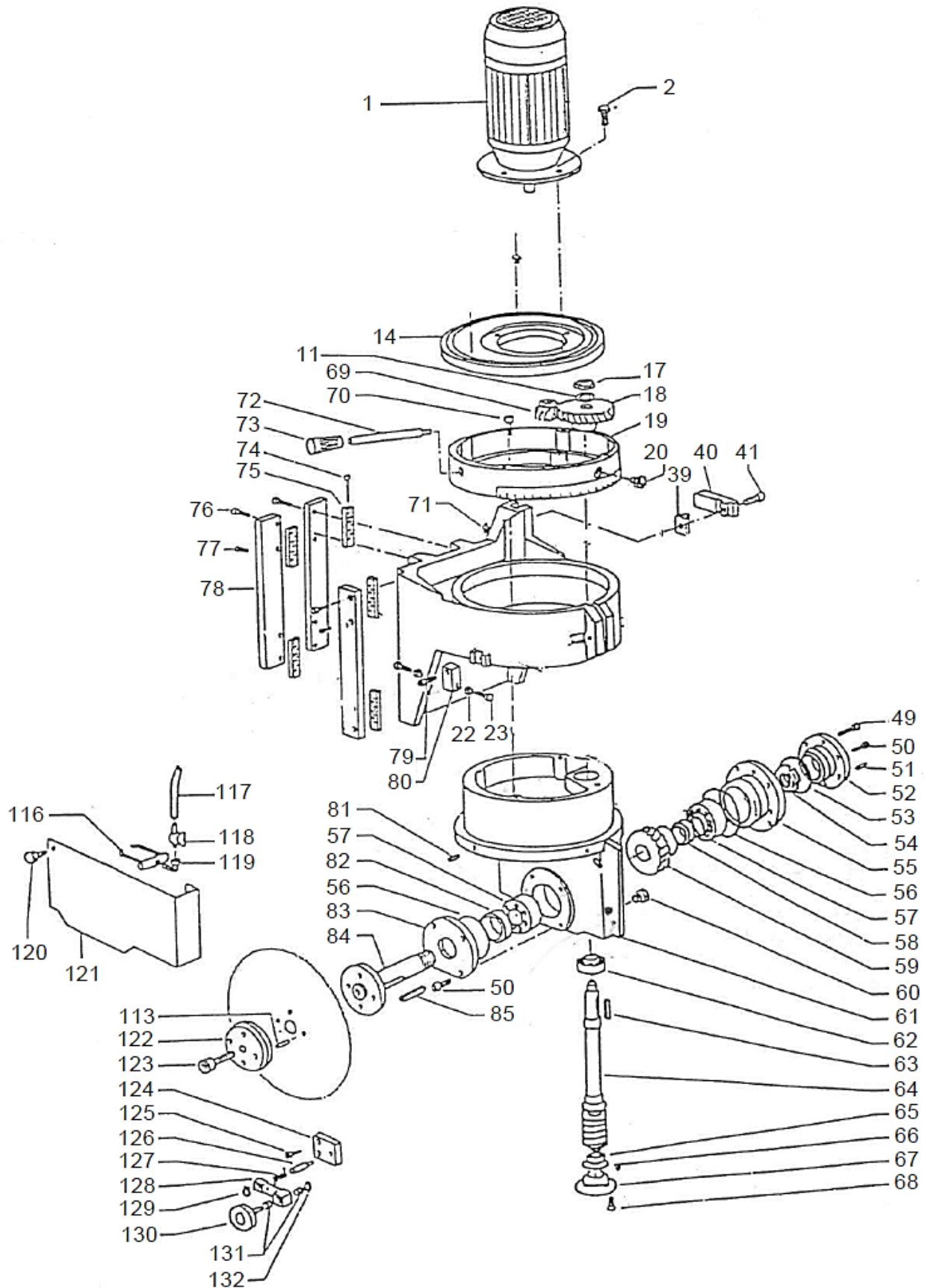




**Bed Plate Unit:**

<u>Item</u>	<u>Part Name</u>	<u>Part No.</u>
1	Head Piston	
2	Screw	
3	Washer	
4	Column	
5	Screw	
6	Left Guide	
7	Bushing	
8	Right Guide	
9	Limit Switch	300211
10	Screw	
16	Screw	
17	Screw	
18	Keyway	
19	Screw	
20	Blade	
20	Blade – Right Hand	300201
21	Socket Head Cap Screw (M12-1.75 x 110mm)	78824
22	Base	
23	Bedplate	
24	Chute	
25	Tank	
26	Cap	
27	Motor Pump	300176
28	Screw	
29	Tank	
30	Roller Chute Support (Not Shown)	
31	Nut (Not Shown)	
32	Screw (Not Shown)	
33	Nut	
34	Sleeve	
35	Screw (Not Shown)	
36	Set Screw (Not Shown)	
40	Nut	
41	Vise Adjustment Block	
42	Screw	
46	Exhaust Chute	300230
47	Screw	
48	Screw	
49	Control Panel	
50	Electric Panel	
51	Electric Case	
54	Nut	
55	Screw	
	Complete Electrical Box	300690
	Electrical Box Only	300692
	Main Power Push Button	300824
56	Reservoir	
57		

**Head Unit:**



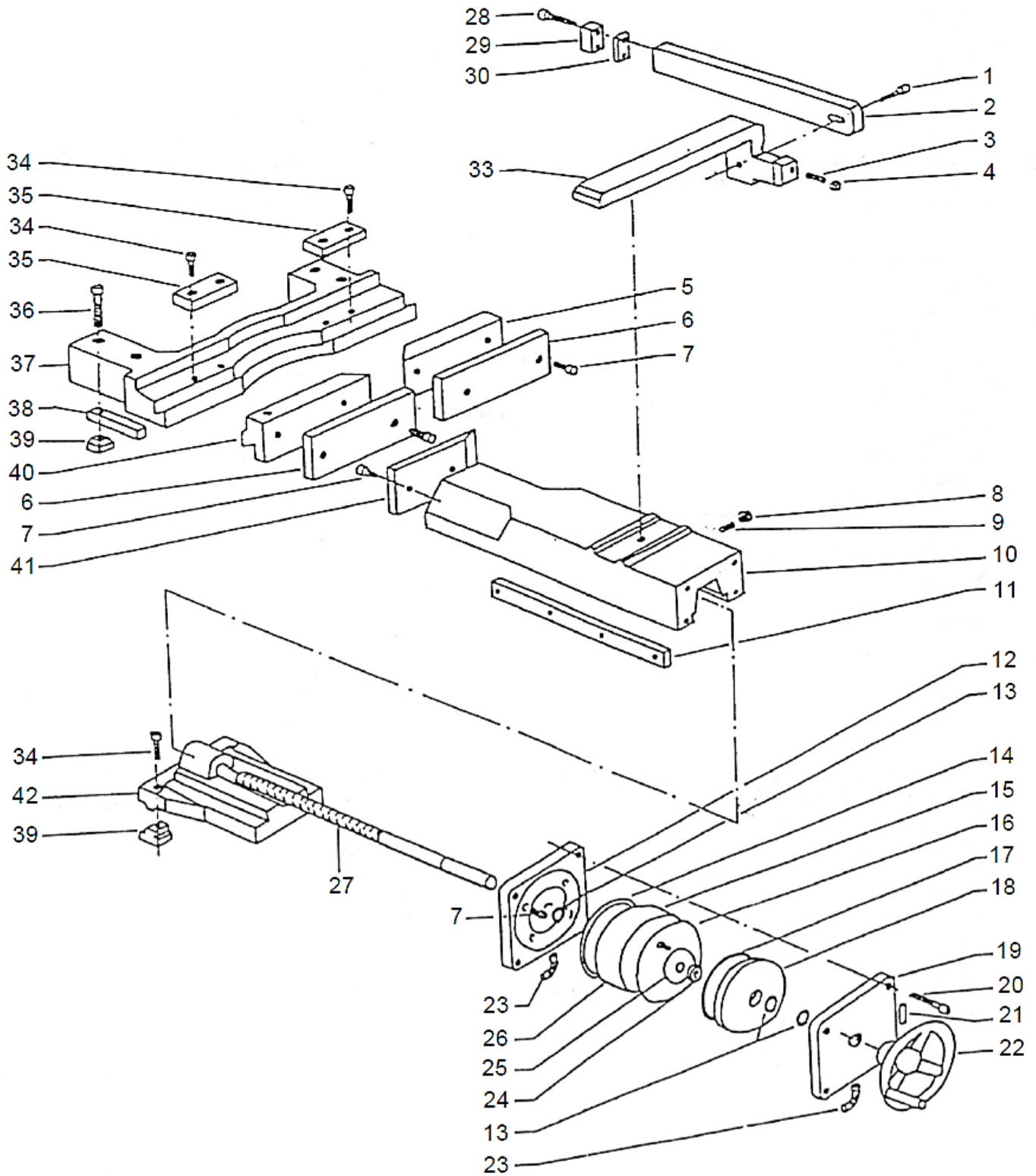
**Head Unit:**

<u>Item</u>	<u>Part Name</u>	<u>Part No.</u>
1	Motor 220V	300117
2	Screw	
7	Stopping Block (Not Shown)	
11	Washer	301336
14	Head Ring	
16	Screw (Not Shown)	
17	Nut	300239 or 300675
18	Gear (300675 old)	300230
19	Cover	
20	Oil Level Plug	
21	Head Bearing (Not Shown)	
22	Nut	
23	Screw	
38	Head Cylinder (Not Shown)	
39	T-Nut	301979
40	End Stroke Flash - Cam	300202
41	Screw, Handle (300612)	300354
42	Bearing Pivot (Not Shown)	
43	Screw (Not Shown)	
44	Pivot Bearing (Not Shown)	
46	Closing Pivot (Not Shown)	
47	Protection Carter (Not Shown)	
48	Stopping Ring (Not Shown)	
49	Socket Head Cap Screw (M12 x 12mm)	78809
50	Set Screw (8mm x 16mm)	81572
51	Set Screw	
52	Bearing Cover	
53	Sealing Bearing	5611
54	Self-Locking Nut	301335
55	Bearing Cover	
56	Sealing Ring	29637
57	Bearing	300686
58	Spacer	301338
59	Helical Wheel 25/50 RPM	300676
59	Helical Wheel 50/100 RPM	300677
60	Oil Blow-off Plug	
61	Head	
62	Bearing	300678
63	Keyway	301334
64	Worm Screw 25/50 RPM	300680
64	Worm Screw 50/100 RPM	300677

<u>Item</u>	<u>Part Name</u>	<u>Part No.</u>
65	Bearing	300678
66	Sealing Ring	300682
67	Bearing Cover	301333
68	Screw	
69	Motor Gear (300683 old)	300238
70	Screw (M5 x 8mmL)	78899
71	Oiler	
72	Head Rotation Lever	
73	Lever Handle	
74	Screw (M6-1.0 x 80mm)	300159
75	Gib	300197
76	Screw (M10-1.0 x 80mm)	300161
77	Screw (M4-.07 x 25mm)	300162
78	Gib Flat	300163
79	Screw	
80	Clamping Block	
81	Elastic Plug	
82	Bearing (Seal is 300434)	300684
83	Cover	
84	Blade Shaft	300435
85	Keyway	301366
113	Cylindrical Plug	300436
116	Spout Breaking	300411
117	Rubber Pipe	
118 & 119	Coolant Valve & Fitting	300410
120	Handwheel	
121	Disk Repair	
122	Blade Flange	300437
123	Socket Head Cap Screw (M16-2.0 x 40mm)	300438
124*	Brush Bearing	
125*	Screw	
126*	Bearing Pivot	
127*	Spring	
128*	Brush Level	300164
129*	Stopping Ring	
130*	Brush	300165
131*	Bushing	300164
132*	Stopping Ring	300164
* Complete Brush Assembly (124, 125, 126, 127, 128, 129, 130, 131, 132)		300626
Complete Air Regulator Feeder		300694
Air Regulator Only		300356
Complete Head Assembly		300128



**Vise Unit:**



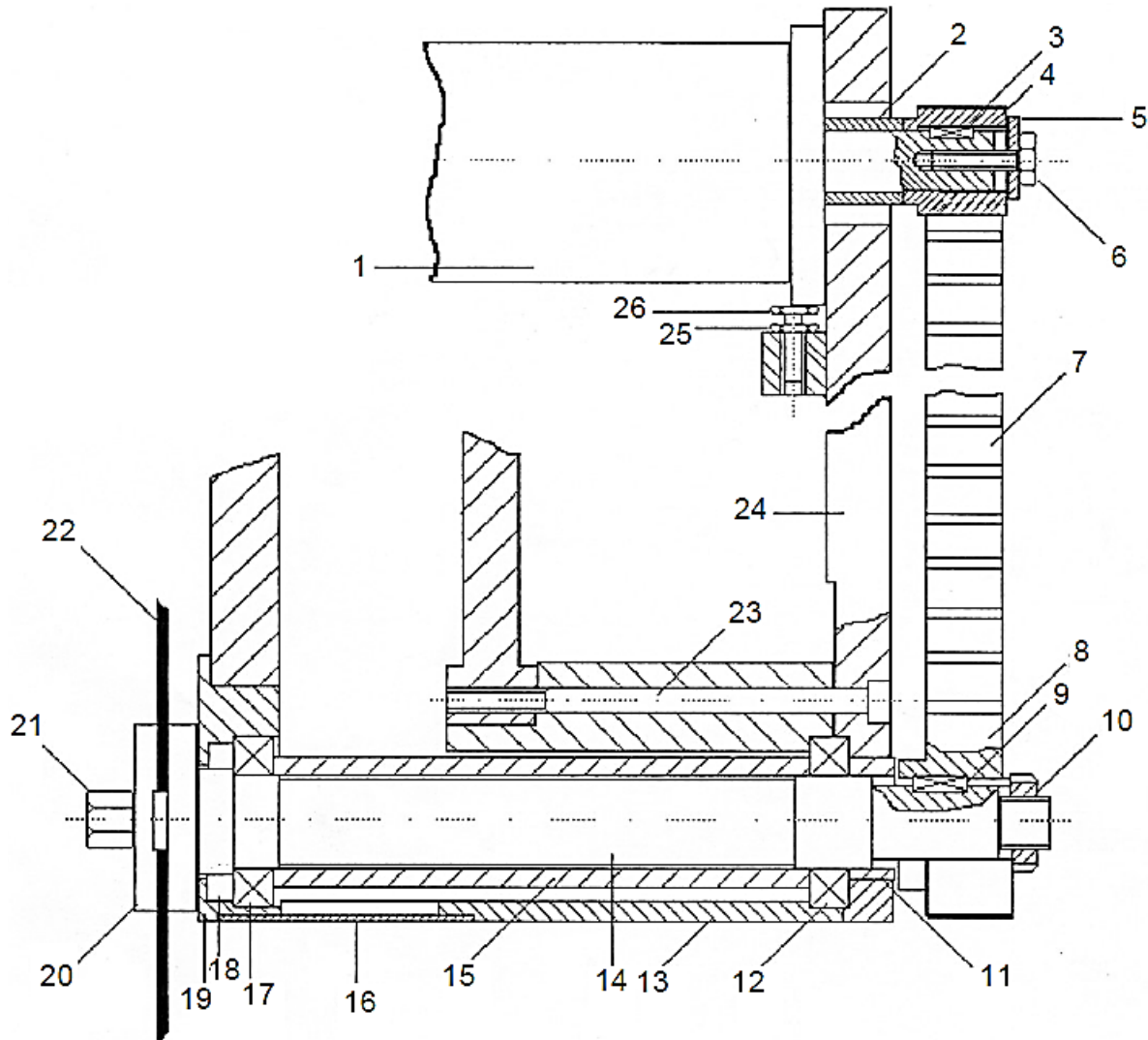




**Vise Unit:**

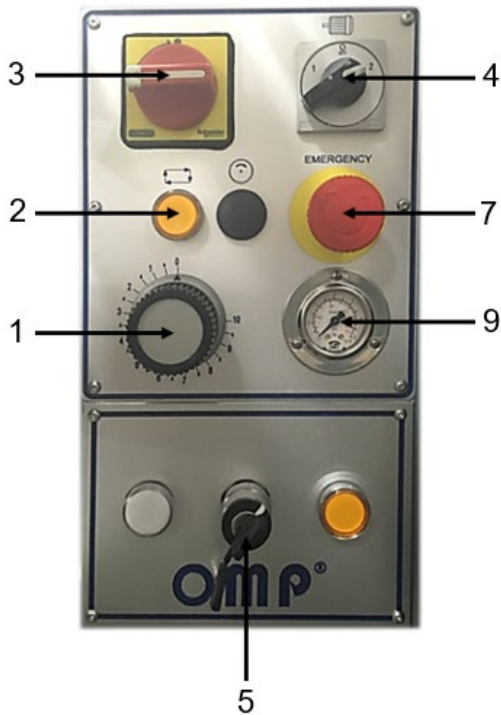
<u>Item</u>	<u>Part Name</u>	<u>Part No.</u>
1	Screw	
2	Rod	
3	Set Screw	
4	Nut	
5	Right Jaw Holder	300194
6	Jaw	300876
7*	Socket Cap Screw (M8-1.25 x 20mm)	80521
8	Set Screw	
10	Vise Slider	
11	Gib	
12*	Slider Side Cap	
13*	Sealing Ring	
15*	Gasket	
16*	Cylinder Liner	
17*	Sealing Ring	
18*	Cylinder	300191
19*	Front Cap	
20*	Screw (M10 x 70mm)	
21	Elastic Pin	
22	Handwheel with Knob	300142
23	Pipe Fitting	
24*	Spacer	
25*	Spacer Holder Flange	
26*	Screw	
27	Vise Screw	300353
28	Screw	
29	Block	300167
30	Small Rubber	300166
31	Screw (Not Shown)	
32	Washer (Not Shown)	
33	Support	
34	Screw	301980
35	Jaw Holder Clamping Plate	301986
36	Screw	301981
37	Vise Support	300193
38	Vise Support Feather	301984
39	Small Block	301979
40	Left Jaw Holder	300194
41	Jaw	300875
42	Vise Slide Support	300352
Main Clamping Vise		300196
* Air Vise Repair Kit		300914
Seal Kit for Main Vise		301325

**Non-Ferrous Head Unit:**



<u>Item</u>	<u>Part Name</u>	<u>Part No.</u>
1	Motor – 220V	300117
2	Spacer	
3	Key	
4	Upper Cog Pulley	79931
5	Washer	
6	Bolt	
7	Drive Belt	300355
7	Drive Belt (510mm)	301976
8	Cog Pulley (Lower)	300700
	Cog Pulley (Lower)	300594
9	Key	300705
10	Spindle Nut	300704
11	Spacer	301313
12	Bearing	300424
13	Pipe	

<u>Item</u>	<u>Part Name</u>	<u>Part No.</u>
14	Blade Shaft	300423
15	Spacer	
16	Cover Plate	
17	Bearing	300426
18	Gasket	300706
19	Flange	301312
20	Blade Flange	301312
21	Spindle Bolt	300425
22	Blade	
23	Bolt	
24	Support Plate	
25	Lock Nut	
26	Bolt	
Complete Head Assembly 440 Volt		300232



<u>Item</u>	<u>Part Name</u>	<u>Part No.</u>
1	Flow Control Head	300215
2	Cycle Start Button	300219
3	Main Power Switch	300206
4	Blade Speed Switch	300233
5	Lock Out Switch with Key	300204
7	Emergency Stop	300351
9	System Pressure Gauge	300214

**Items not shown:**

<u>Part Name</u>	<u>Part No.</u>
Hood Limit Switch	300212
Air Feed Regulator	300356
4-Way Valve	79914
Cylinder Head Lift (Old Style, for Steel Frame Hoods)	300199
Cylinder Head Lift (New Style, requires Eyelets 300446)	300445
Gas Shock Assembly	716697
Gas Lift Shock	300445
Eyelets Fittings of Gas Lift	300446
6 HP Motor	300851

<u>Part Name</u>	<u>Part No.</u>
Valve for Regulating Feed Vise	300195
Table Cover Plate	300198
Hex Wrench	300220
Bar Stop	300228
Oil Reservoir	300273
Plexi Glass Hood	300277
Air Regulator Head Assembly	300813
Hood Hinge	301819
Shock Mount Plastic	301820
Coil	88130045

***Please contact factory for current prices.***

**ORDERING INFORMATION**

Parts are available for direct purchase from Dake or through a distributor. When placing a parts order, you will need to provide the part number, name of part, and model number. All parts shipped F.O.B. Factory in Grand Haven, MI.

## **DEACTIVATING THE MACHINE**

If the machine is not going to be in use for a long period of time it is recommended that you do the following:

1. Unplug machine.
2. Empty coolant tank.
3. Carefully clean and grease machine.
4. If necessary cover the machine.

## **DISMANTLING THE MACHINE**

If this machine is permanently demolished and/or scrapped, divide the material to be disposed of and dispose of them in accordance to local disposal laws. This includes raw materials such as metals, electrical components, and special waste such as old oils.