



**OMP COLDSAWS  
INSTRUCTION MANUAL AND PARTS LIST**

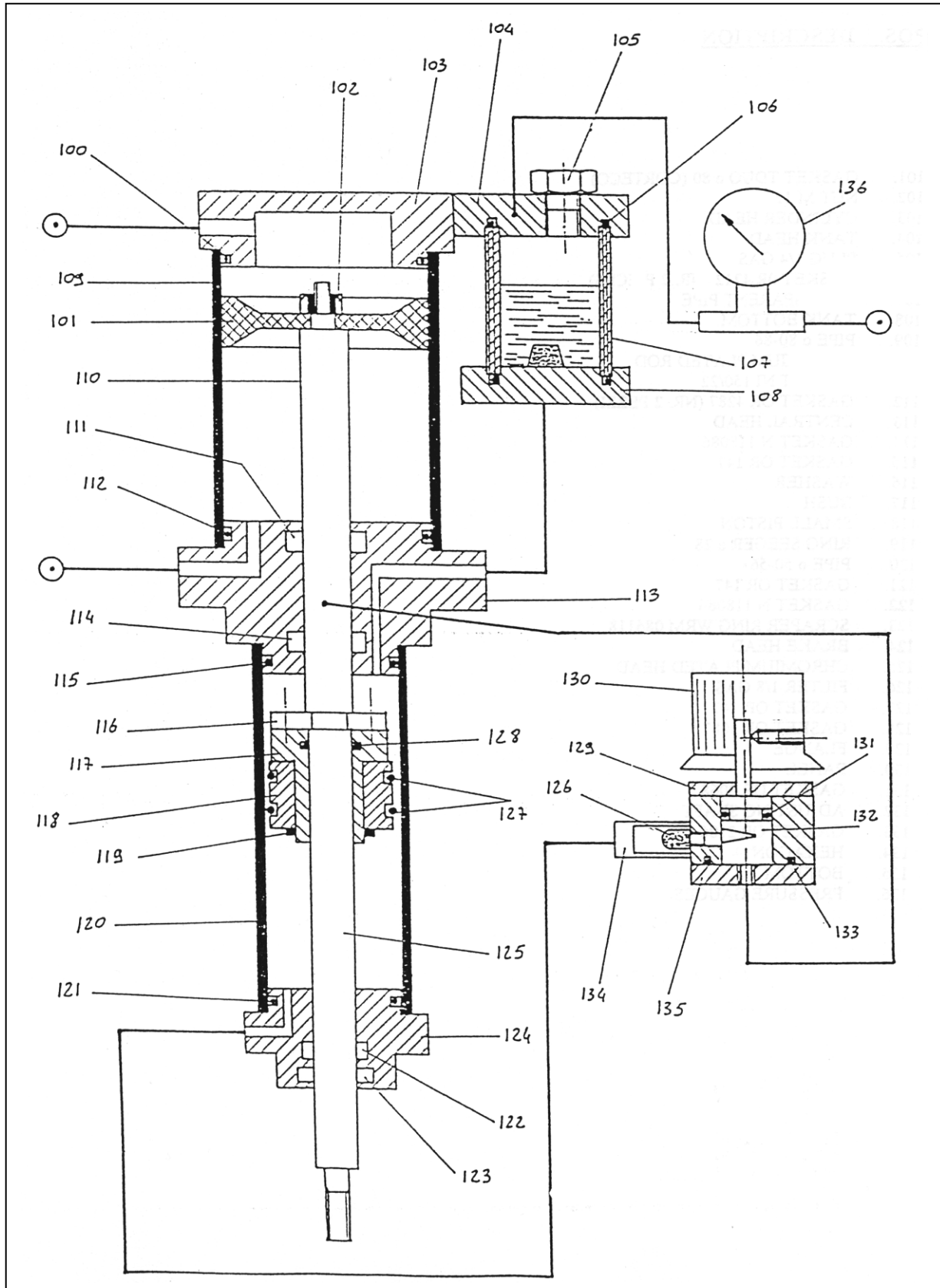
# SECTION III – Parts List



**FOR MODELS  
370 S  
370 S-L  
370 PP  
370 PP-L**

MODEL: _____
SERIAL NUMBER: _____
DATE PURCHASED: _____

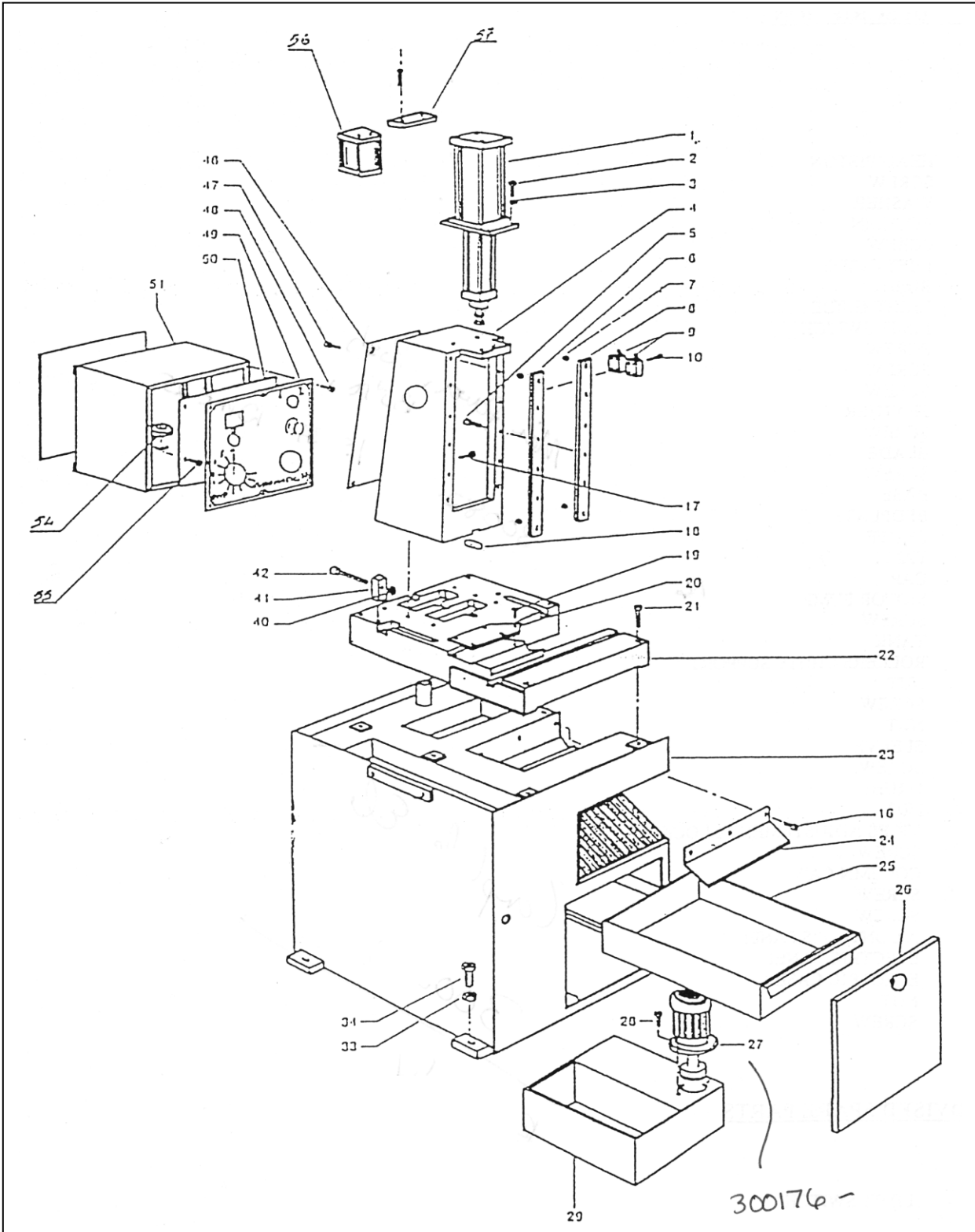
### Head Cylinder Unit (Ref .005)



**Head Cylinder Unit (Ref .005)**

<b>Pos. Number</b>	<b>Part No.</b>	<b>Description</b>	<b>Specification</b>
101		Gasket	TDUO 80 (CORTECO)
*102		Nut	M12
103		Cylinder Head	
104		Tank Head	
105		Plug ¼ gas	
106	11558	Gasket – 2 pieces	OR 4212
107	300273	Transparent Pipe	
108		Tank Bottom	
109		Pipe	80-86
110		Chromium Plated Rod	
111		Gasket	NI 150/22
112		Gasket – 2 Pieces	OR 4287
113		Central Head	
114		Gasket	N 118086
115		Gasket	OR 147
*116	302164	Washer	
*117		Bush	
*118		Small Piston	
*119		Ring Seeger	28
120		Pipe	50-56
121		Gasket	OR 147
122		Gasket	N 118086
123		Scraper Ring	WRM 086118
124		Brake Head	
125		Chromium Plated Head	
126		Filter 1/8 Gas	
127		Gasket	OR 147
128		Gasket	OR 3087
129		Flange	
130		Panel	
131		Gasket	OR 3068
132		Adjusting Shaft	
133		Gasket	OR 2106
134		Hexagon	
135		Bottom	
136		Pressure Gauges	
	300155	Cylinder Repair kit	
	301332	Cylinder complete	
Kit	300155	Cylinder repair kit items 101, 106, 111, 112, 114, 115, 121, 122, 123, 126, 127, 128, 131, 133	

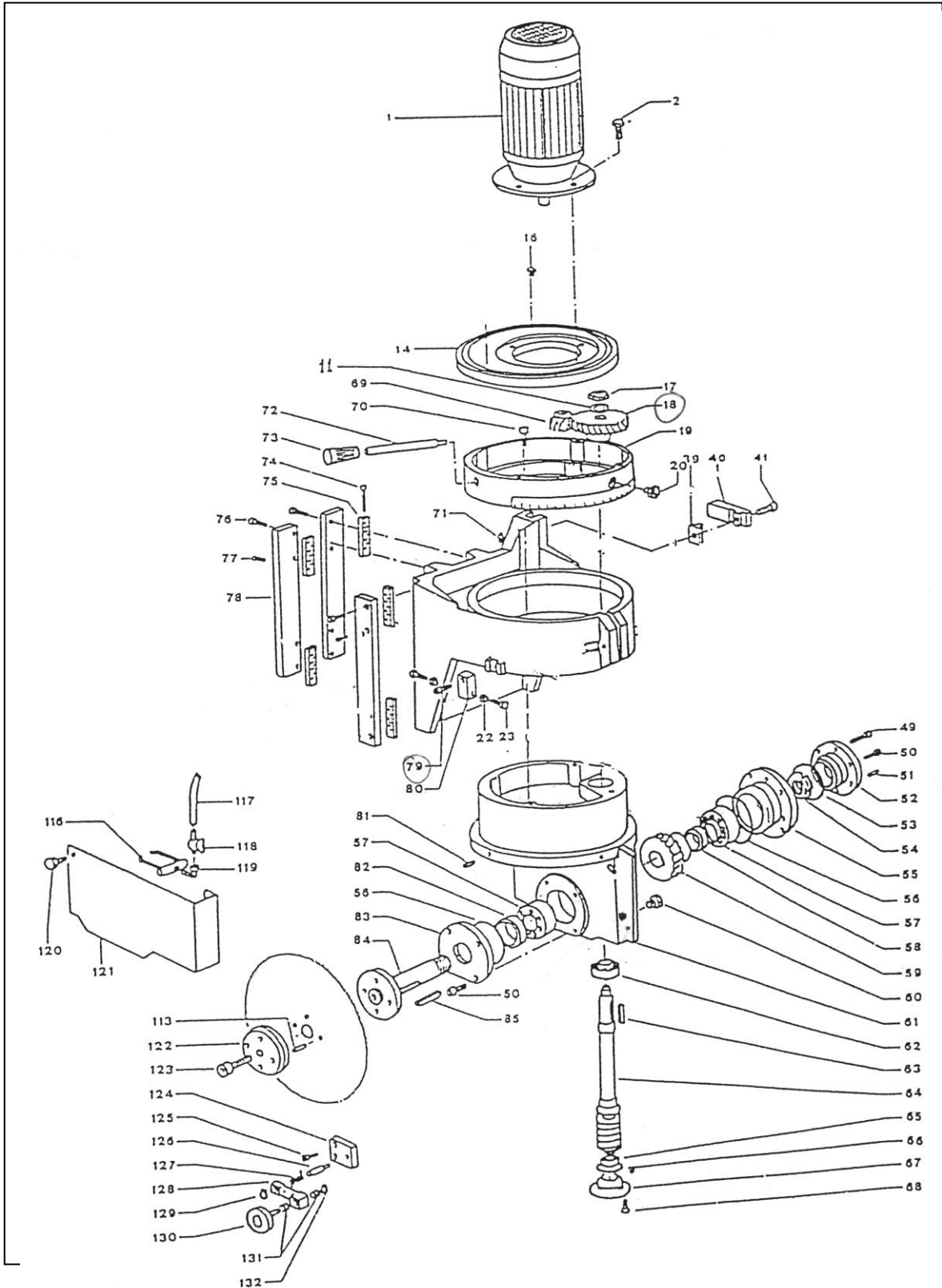
### Bedplate Unit (Ref .008)



**Bedplate Unit (Ref .008)**

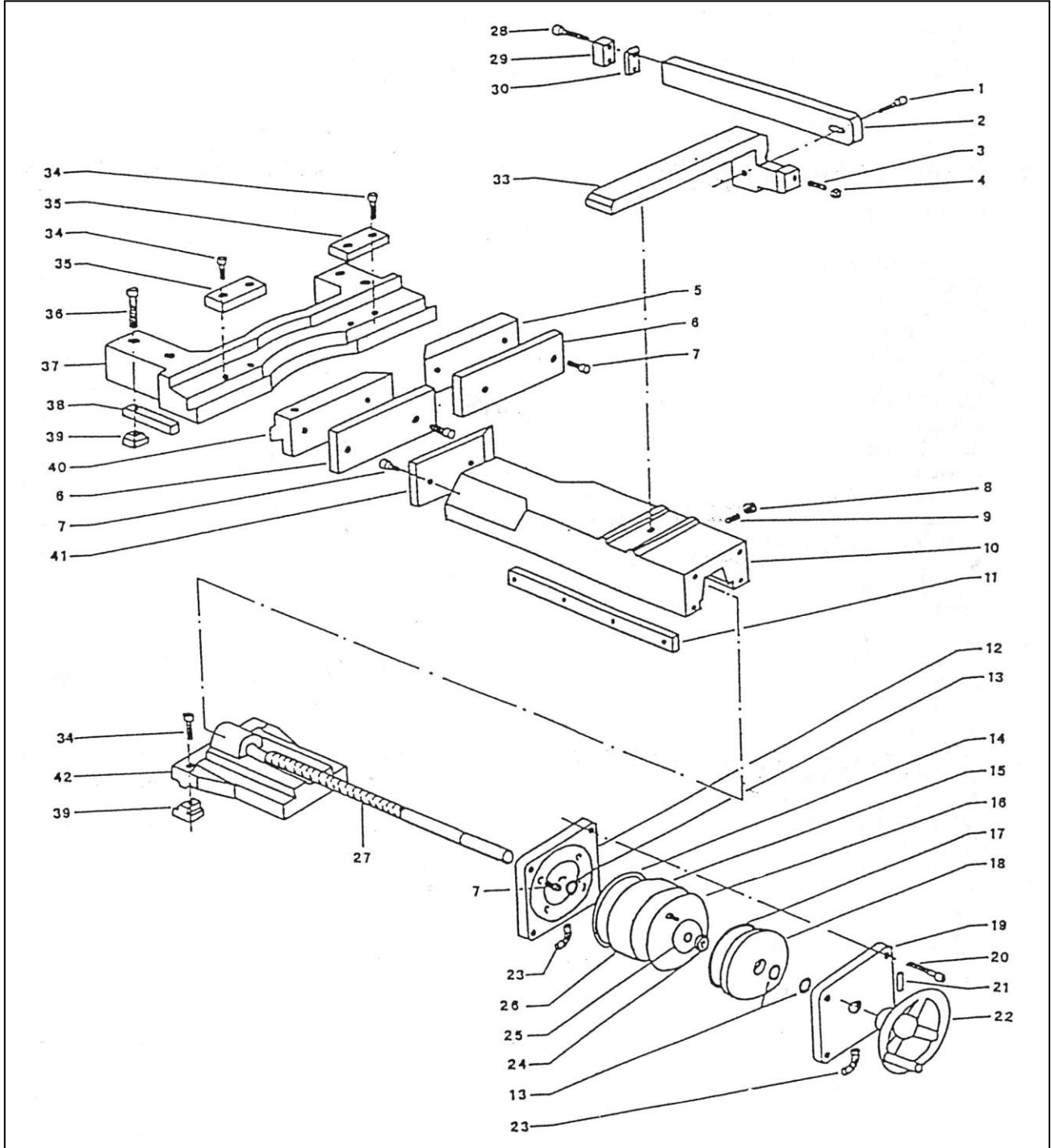
<b>Pos. Number</b>	<b>Part No.</b>	<b>Description</b>	<b>Specification</b>
1		Head Piston	
2		Screw	
3		Washer	
4		Column	
5		Screw	
6		Left Guide	
7		Bush	
8		Right Guide	
9	300211	Limit Switch	
10		Screw	
16		Screw	
17		Screw	
18		Feather	
19		Screw	
20		Blade	
20	300201	Blade – Right Hand	
21	78824	Screw, Socket Head Cap	M12 X 1.75 X 110mm Long
22		Base	
23		Bedplate	
24		Chute	
25		Tank	
26		Cap	
27	300176	Motor Pump	
28		Screw	
29		Tank	
30		Rollers Chute Support	
31		Nut	
32		Screw	
33		Nut	
34		Sleeve	
35		Screw	
36		Grub	
40		Nut	
41		Vices Adjustment Block	
42		Screw	
46	300230	Exhaust Chute	
47		Screw	
48		Screw	
49		A Controls Panel	
50		Electric Panel	
51		Electric Case	
54		Nut	
55		Screw	
	300690	Complete Electrical Box	
	300692	Electrical Box Only	
	300824	Main Power Push Button	1SKRA DME25

# Head Unit (Ref .002)





**Vise Unit (Ref .004)**

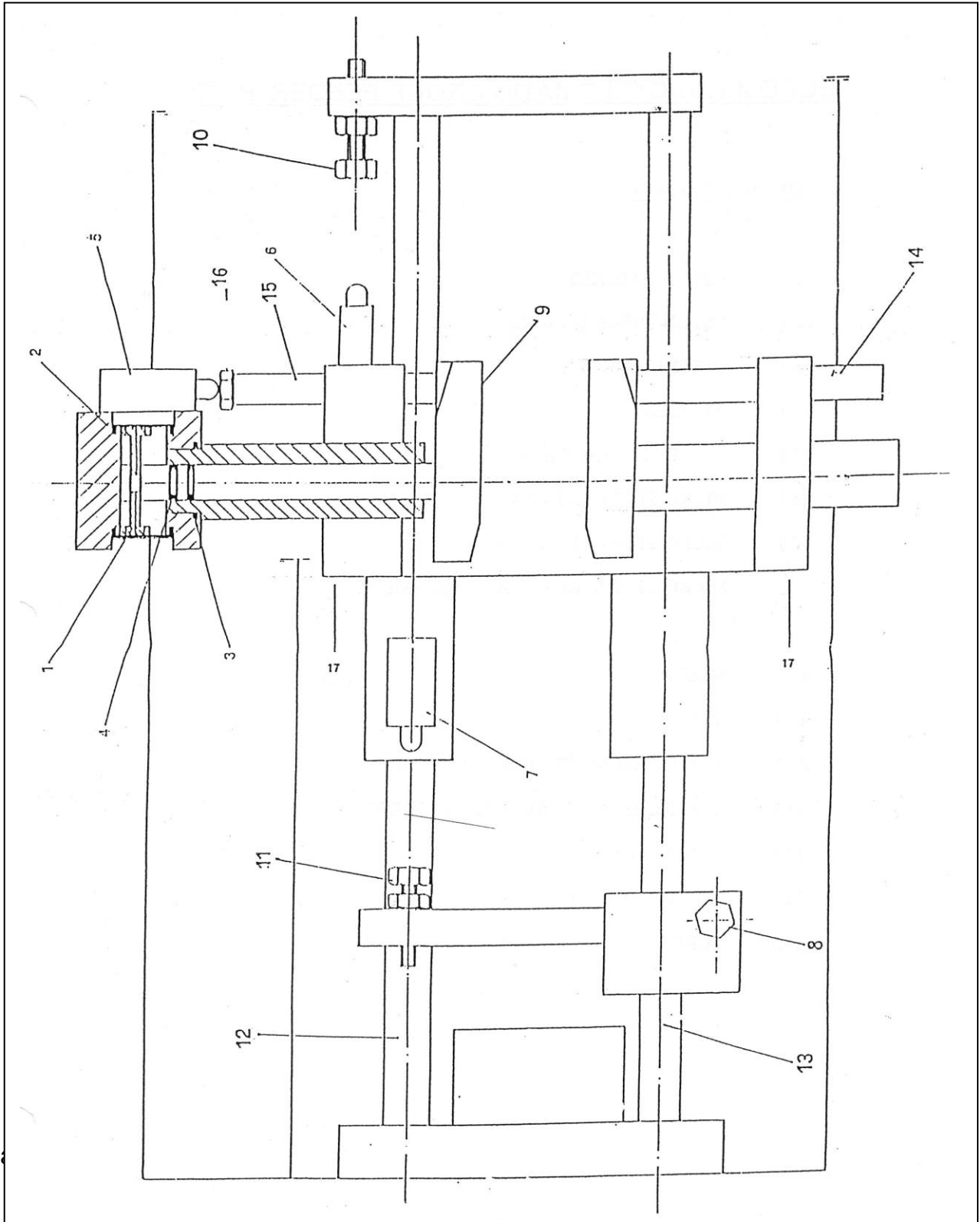




## Vise Unit (Ref .004)

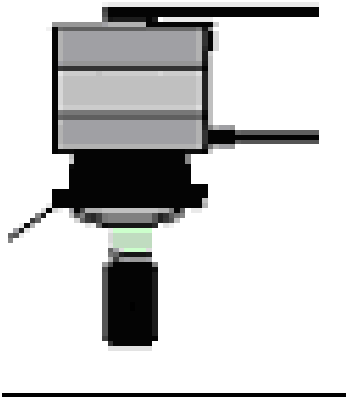
Pos. Number	Part No.	Description	Specification
1		Screw	
2		Rod	
3		Grub	
4		Nut	
5	300194	Right Jaw Holder	
6	300876	Jaw – 370S & 370S-L	190mmx68mm – 130mm between bolt holes
	300898	Jaw – 370PP & 370PP-L	105mmx68mm – 40mm between bolt holes
*7	80521	Screw	
8		Grub	
10		Vice Slider	
11		Gib	
*12		Slider Side Cap	
*13		Sealing Ring	
*15		Gasket	
*16		Cylinder Liner	
*17		Sealing Ring	
*18	300191	Cylinder	
*19		Front Cap	
*20		Screw	10mm x 70mm
21		Elastic Pin	
22	300142	Hand wheel with Knob.	
23		Pipe Fitting	
*24		Spacer	
*25		Spacer Holder Flange	
*26		Screw	
27	300353	Vice Screw	
28		Screw	
29	300167	Block 300167	
30	300166	Small Rubber	
31		Screw	
32		Washer	
33		Support	
34	301980	Screw	
35	301986	Jaw Holder Clamping Plate	
36	301981	Screw	10mm x 30mm
37	300193	Vice Support	
38	301984	Vice Support Feather	
39	301979	Small Block	
40	300194	Left Jaw Holder	
41	300875	Jaw – 370S & 370S-L	160mm x 69mm
	300899	Jaw – 370PP & 370PP-L	110mm x 68 mm – 60mm between bolt holes
42	300352	Vice Slide Support	
	300196	Main Clamping vise	
*	300914	Air vise repair kit	
	301325		

**Group Feeder P-R**



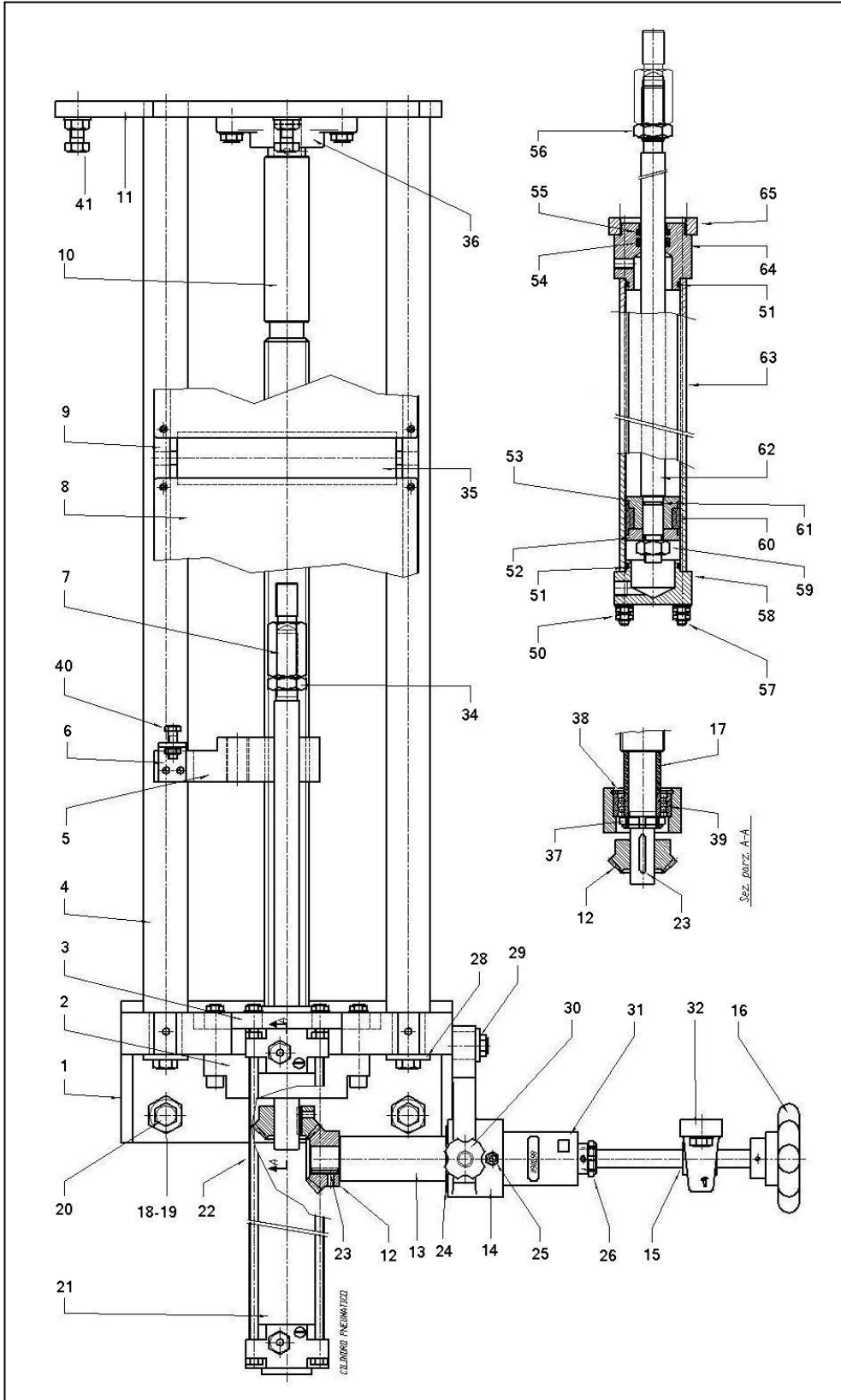
### Group Feeder P-R

Pos. Number	Part No.	Description	Specification
1	301332	Piston Gasket	
2		Piston Proof-Gasket	
3		Gasket Air-Proof	
4		Gasket	
5		Micro Presence Bar	
6		Micro Stop Cart – Back	
7	300211	Micro Stop Cart – Back – Limit Switch	
8		Micro Stop Blocket Advancement	
9			
10		Screw	
11		Screw	
12		Staff Chromate Support Feeding	
13		Staff Chromate Support Feeding	
14		Staff Slide Jaw	
15	300200	Staff Slide Jaw – Activation Bar	
16		Screw	
17		Block	



	300127	Piston cylinder	
	300262	Cylinder Complete	

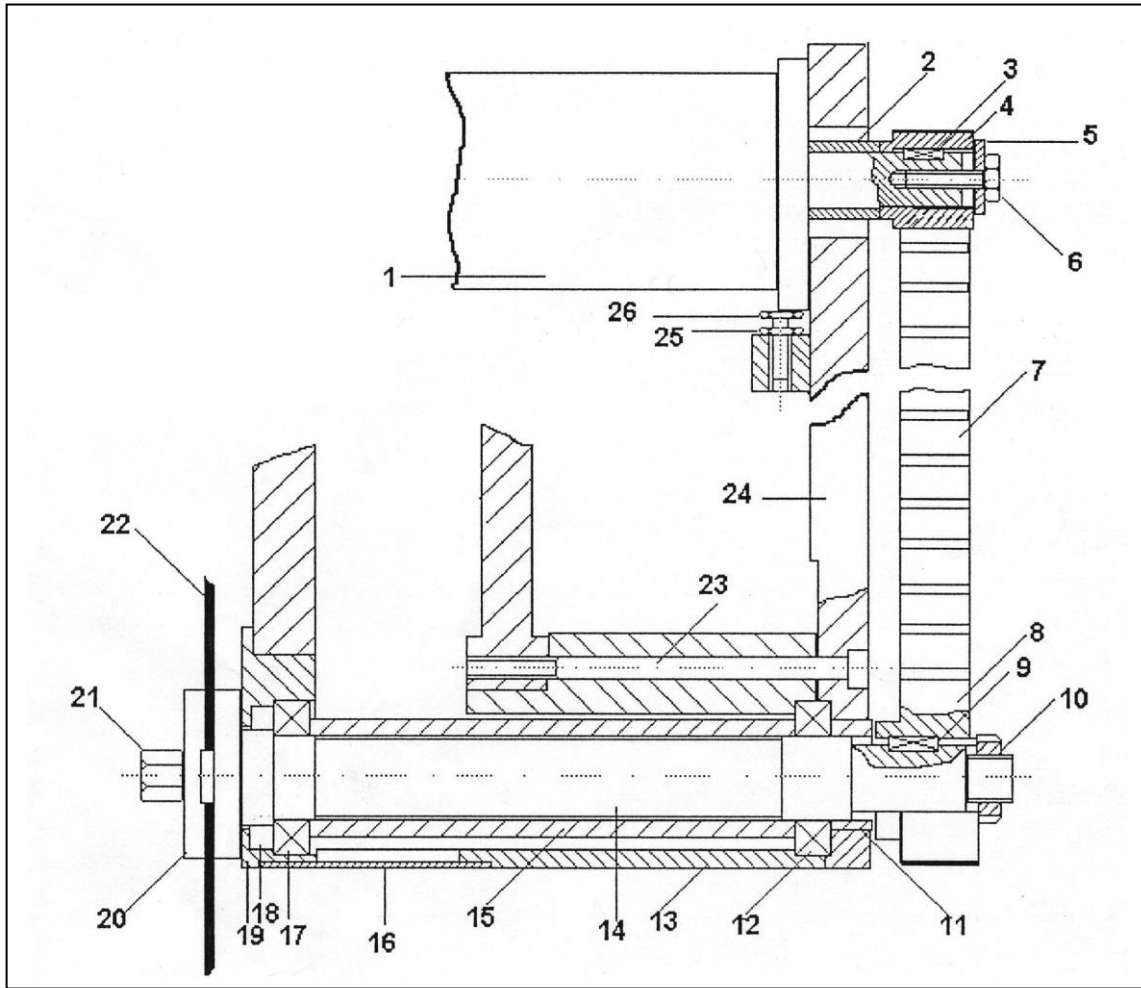
### Group Alimentador P-P (Ref 014b)



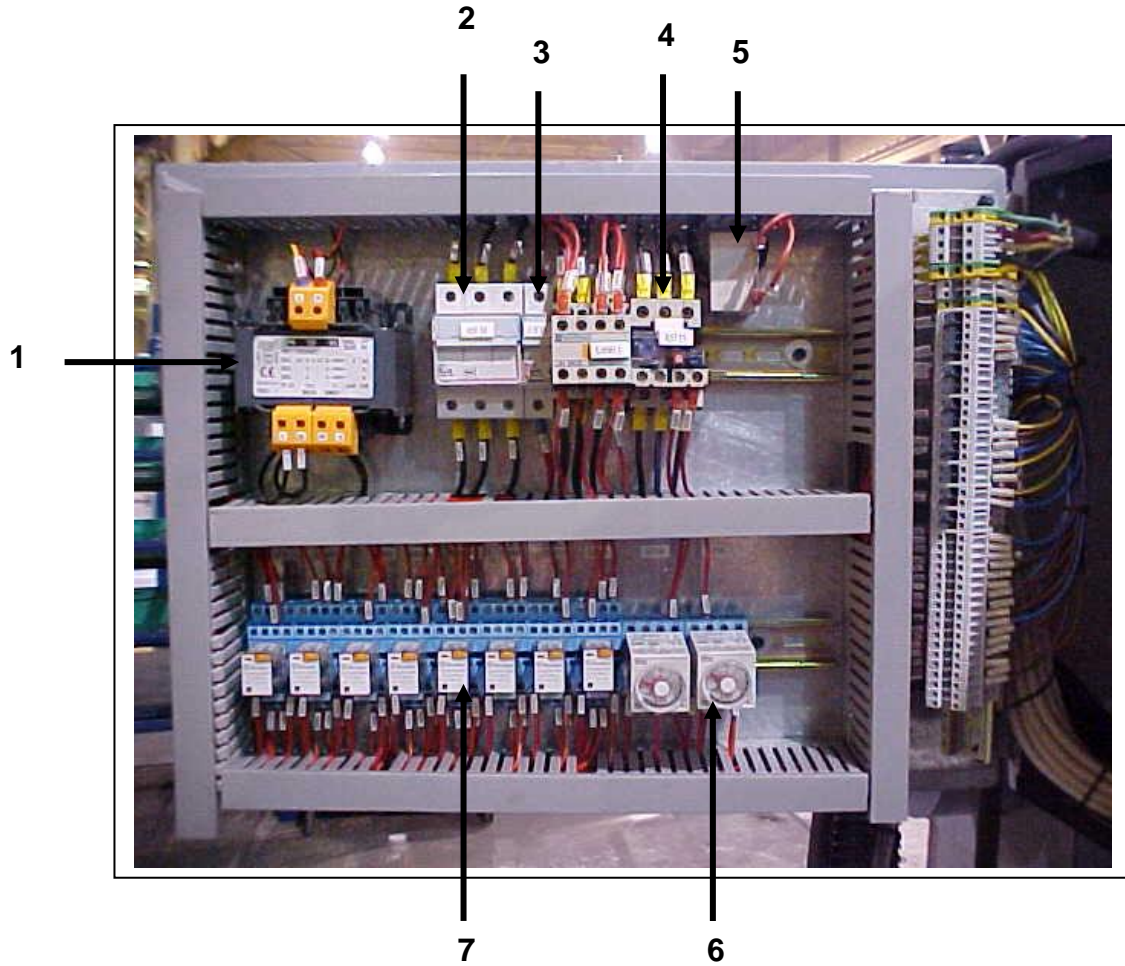
Pos.	Part No.	Description
1		Rear support
2	301527	Load support
3		Pneumatic cylinder pin
4		Chromate rod
5		TPN screw support
6		Square screw holder pushing micro
7		Cylinder extension
8		Roll way plate
9		Roll way rod
10	301526	Screw shaft
11		Feeding plate pin
12	301408	Conic cylinder
13	301409	Screw movement shaft
14	301410	Nonius support
15	301411	Bushing for screw movement shaft support
16	301412	Measuring cart wheel adjusting
17		Bearing spacer
18		Adjustable little foot
19		Washer
20		Screw
21	300190	Pneumatic cylinder
22		Plate rear support
23	301413	Key
24	301414	Off seeger ring
25	301415	Oilier
26	301416	Auto locking nut
29		Washer
30	301417	Wheel
31	300186	Numerator 301418, 301528
32	301419	Support
34		Medium nut
35		Roll
36	302047	Shaft axial support
37		Autolocking nut
38		Inner seeger ring
39	302046	bearing
40		Screw
41		Screw

Pos.	Part No.	Description
		Hydraulic Cylinder (505 stroke)
50		Medium nut & washer
51		Sealing
52		Head piston cylinder (small)
53		Head piston cylinder (large)
54		Sealing
55		Dust scratching ring
56		Lower nut
57		Cylinder tie rod
58		Head cylinder up head
59		Medium nut
60		Sealing
61		Sealing
62		Cylinder rod
63		Cylinder tube
64		Head cylinder low head
65		Hydraulic cylinder pin
	301407	Feed length Adjustment Assembly. Includes 12,13,14,15,16,23,24,25,26,30,31 &32
N/A	301759	Feed cylinder repair kit

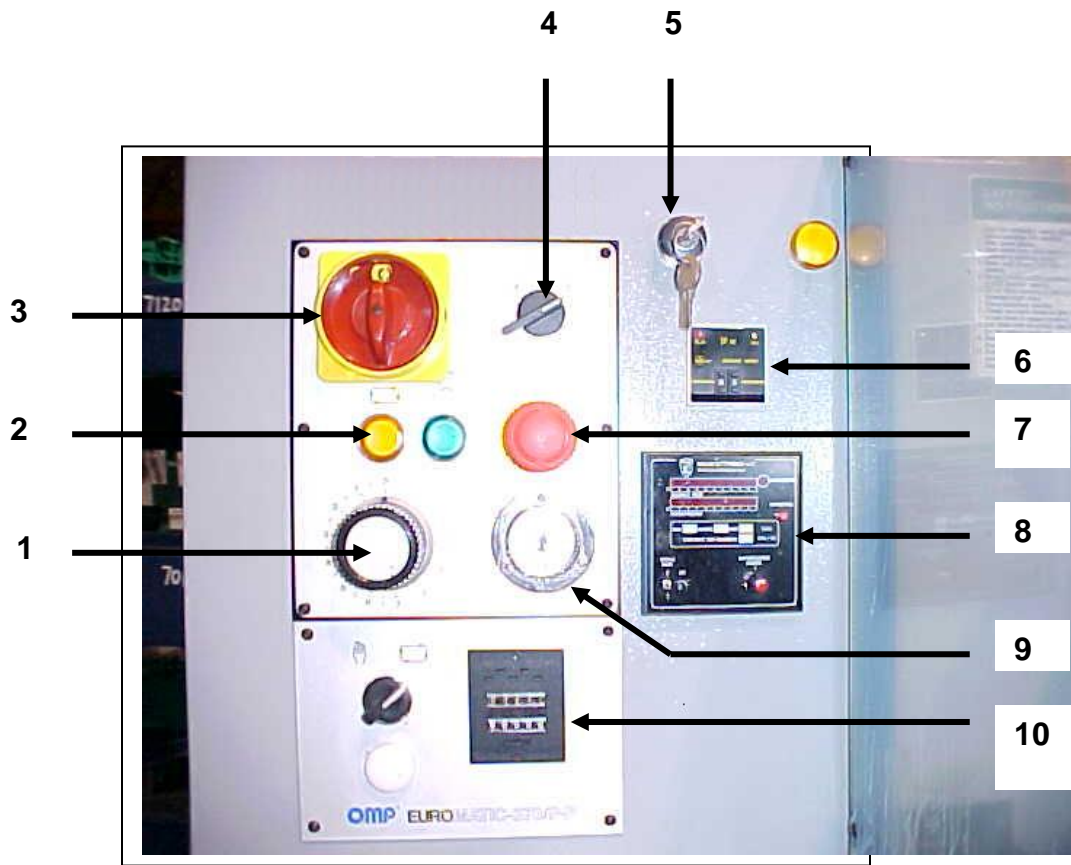
**Euromatic – Head Unit Type L NON FERROUS HEAD**



Pos. No.	Part No.	Description	Pos. No.	Part No.	Description
1	300117	Motor – 220 volt	14	300423	Blade Shaft
2		Spacer	15		Spacer
3		Key	16		Cover Plate
4	79931	Cog Pulley (Upper)	17	300426	Bearing
5		Washer	18	300706	Gasket
6		Bolt	19	301312	Flange
7	300355	Drive Belt (Cog Style)	20	301311	Blade Flange
7	301976	Drive belt (Cog Style) length 510			
8	300700	Cog Pulley (Lower)	21	300425	Spindle Bolt
	300594	Cog Pulley (Lower)	22		Blade
9	300705	Key	23		Bolt
10	300704	Nut	24		Support Plate
11	301313	Spacer	25		Lock Nut
12	300424	Bearing	26		Bolt
13		Pipe			
	300232	Complete Head Ass. 440 Volt			



Pos. Number	Part No.	Description	Specification
1	300210	Transformer, Dual Voltage 150VA	
2	77526	Fuse, 15 amp	Buss FNQ-15
	77523	Fuse 2 amp	
3	300203	Fuse Holder – Swing Out	
4	300603	Relay, Overload	#LR2D1321
	301824	Overload holder	
5	300213	Coil, Inductive Pick-up for blade protection units	
6	300208	Timer, Dwell	TH24
7	300209	Relay, Ice Cube	Finder #55.34
	300302	Empty Electrical Box – 370S	



Pos. Number	Part No.	Description	Specification
1	300215	Flow Control, Head	Valve & Knob
2	300219	Pushbutton "Start" – for start cycle 300205	Yellow Lens
3	300206	Power Switch, Main	With Lockout
4	300233	Cycle Selector Switch – Mode or feeder vise loc.	
5	300204	Lock Out Switch with Key	
6	300390	Multi-stroke Indicator	TP702
7	300351	Switch, E-stop "Emergency Stop"	
8	300919	Blade Protection	
9	300214	Gauge, System Pressure	
10	79933	Piece Counter 300235	
	300302	Electrical box 370S	



### ITEMS NOT SHOWN

Pos. Number	Part No.	Description	Specification
	300212	Hood, Limit Switch	
	300277	Hood – Euromatic 370S	
	300356	Air Feed Regulator	
	79914	4-way valve	
	300199	Cylinder Head Lift old style for steel frame hoods	
	300445	Cylinder head lift new style, new style requires eyelets 300446	
	716697	Gas Shock Assembly	
	300445	Gas Lift Shock 300199	
	300446	Eyelet fittings of gas lift shock	
	300262	Cylinder 370PP Vertical Hold Down	
	300697	Extensions 370PP Vertical Hold Down	30mm, 60mm, 90mm
	300851	6 H.P. Motor	
	300195	Valve for regulating feed vise	
	300198	Table cover plate	
	300218	Accumulator air tank	
	300220	Allen Wrench	
	300228	Bar Stop	
	300273	Oil Reservoir	
	300277	Hood Plexi glass	
	300813	Air regulator head assembly	
	301819	Hood hinge	
	301820	Shock mount plastic	
	88130045	Coil	

### OPTIONS

Part No.	Description
300128	Ferrous cutting head for mounting on non-ferrous saw
79917	Non-Ferrous cutting head for mounting on ferrous saw
86694	60" Loading Table – In-bound with protective cover plates
96693	60" Un-loading table – Out-bound with scale and adj. Positive stop.
300813	Vise Regulator Kit
716659	Comb Jaws
716694	Quick Disconnect
79971	Combination Jaws.