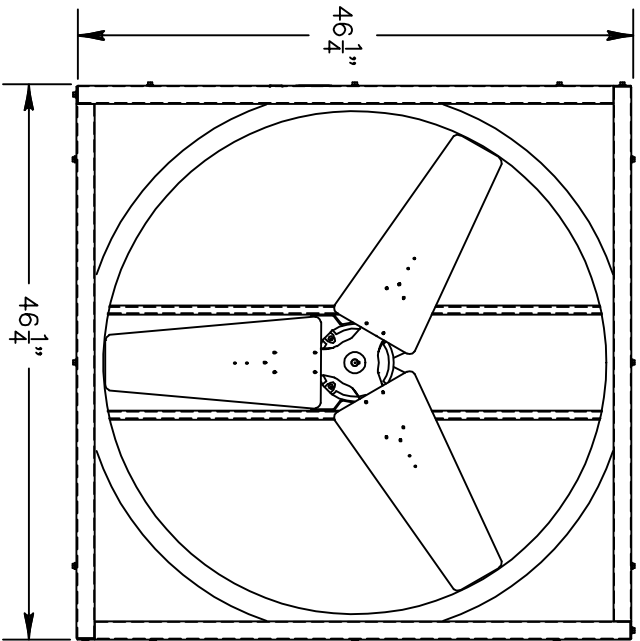


8 FOOT OF CORD  
OUTSIDE THE BOX.



TRIANGLE ENGINEERING  
CERTIFIED DRAWING

BY: \_\_\_\_\_  
 FOR: \_\_\_\_\_  
 DATE: \_\_\_\_\_  
 VID4215 INDUSTRIAL EXHAUST FAN  
 1 HP 115 V. SINGLE PHASE  
 BLADE DIA 42"



TRIANGLE ENGINEERING  
OF ARKANSAS, INC.

VID4215-115  
INDUSTRIAL EXHAUST FAN

REV

DR. BY: TOM KING  
SHEET 1 OF 1

CKD. APP.  
NOT TO SCALE 4 MAR 2009