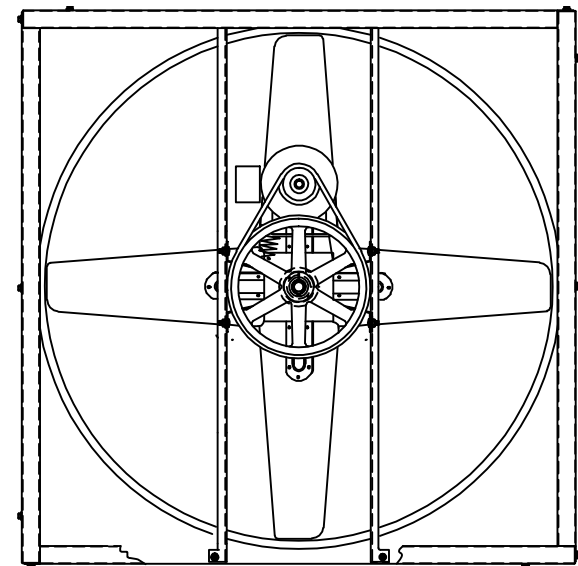
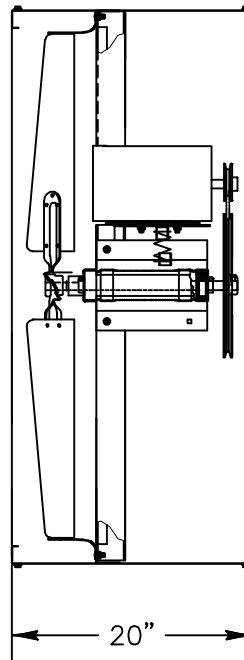


DISCHARGE VIEW



INTAKE VIEW

TRIANGLE ENGINEERING
CERTIFIED DRAWING

BY:
FOR:
DATE:
VI4216 WALL FAN, 1 1/2 HP
230/460 V. 3 PHASE
BLADE DIA 42"



TRIANGLE ENGINEERING
OF ARKANSAS, INC.

VI4216
WALL FAN

L-VI4216

REV

DR. BY: TOM KING

CKD.

APP.

SHEET 1 OF 1

NOT TO SCALE

12 DEC 2003