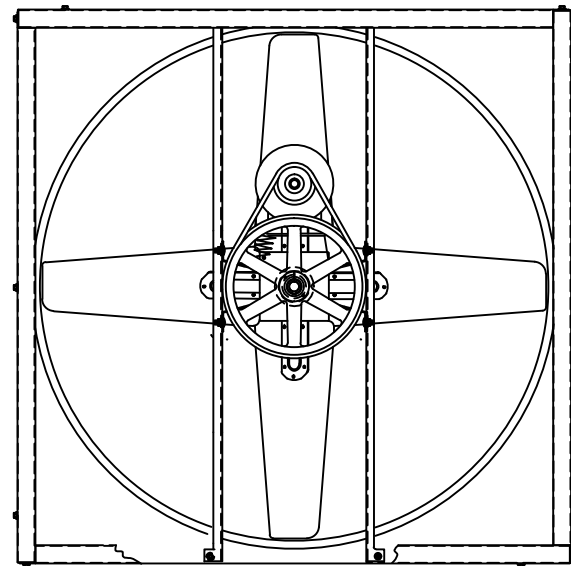
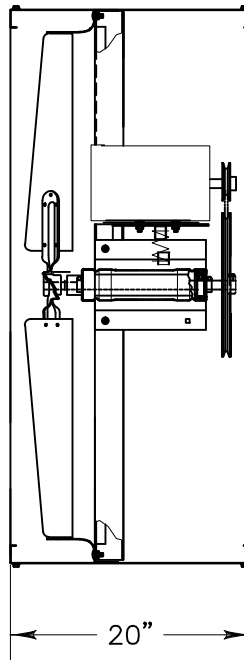



DISCHARGE VIEW



INTAKE VIEW

TRIANGLE ENGINEERING CERTIFIED DRAWING	
BY:	
FOR:	
DATE:	
VI3616 WALL FAN, 1.5 HP 115/230 V.	
1 PHASE, TOTALLY ENCLOSED MOTOR	
BLADE DIA 36"	

 TRIANGLE ENGINEERING OF ARKANSAS, INC.	VI3616 WALL FAN	
	L-VI3616	REV
DR. BY: TOM KING	CKD.	APP.
SHEET 1 OF 1	NOT TO SCALE	31 JAN 2014