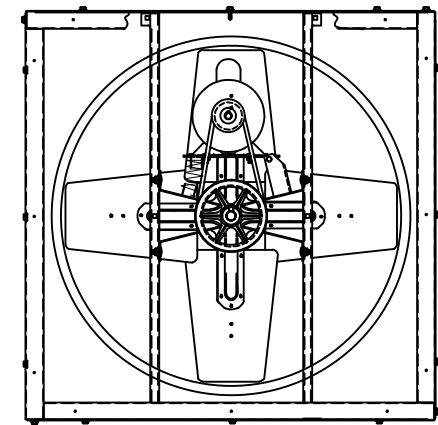
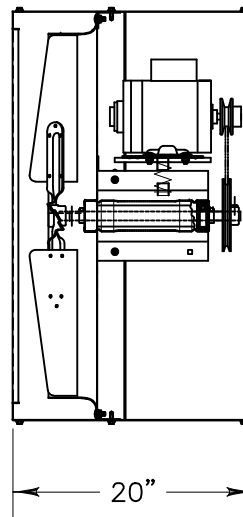



DISCHARGE VIEW



INTAKE VIEW

TRIANGLE ENGINEERING CERTIFIED DRAWING	
BY:	
FOR:	
DATE:	
VI3012 WALL FAN, 1/3 HP	
115V, 1 PHASE	
BLADE DIA 30"	

 TRIANGLE ENGINEERING OF ARKANSAS, INC.	VI3012 WALL FAN	
	L-VI3012	REV
DR. BY: TOM KING	CKD.	APP.
SHEET 1 OF 1	NOT TO SCALE	31 JAN 2014