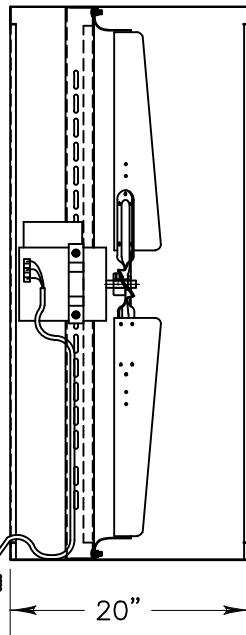
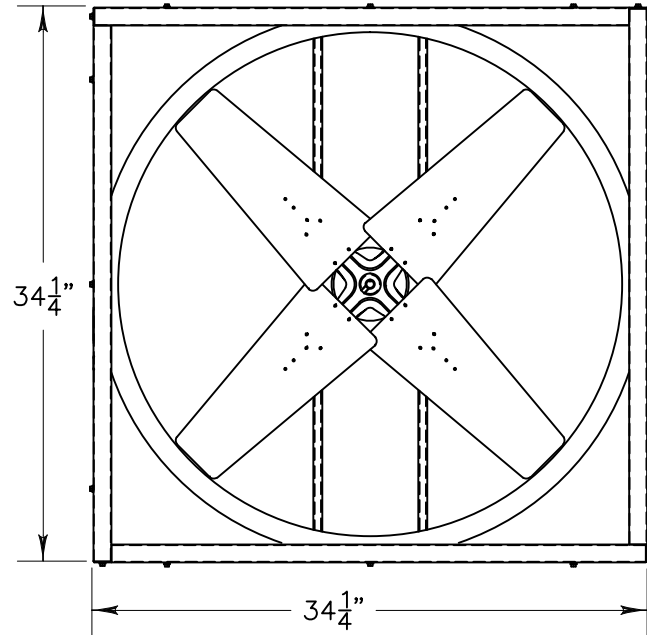


INTAKE VIEW




8 FOOT OF CORD
OUTSIDE THE BOX.



DISCHARGE VIEW

TRIANGLE ENGINEERING CERTIFIED DRAWING	
BY:	
FOR:	
DATE:	
VID3013 INDUSTRIAL EXHAUST FAN	
1/2 HP 115 V. SINGLE PHASE	
BLADE DIA 30"	

 TRIANGLE ENGINEERING OF ARKANSAS, INC.	VID3013-115 INDUSTRIAL EXHAUST FAN	
	L-VID3013-115	REV
DR. BY: TOM KING	CKD.	APP.
SHEET 1 OF 1	NOT TO SCALE	4 MAR 2009