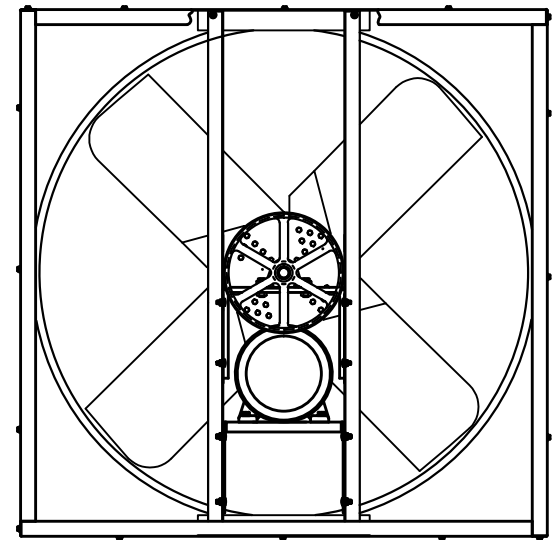
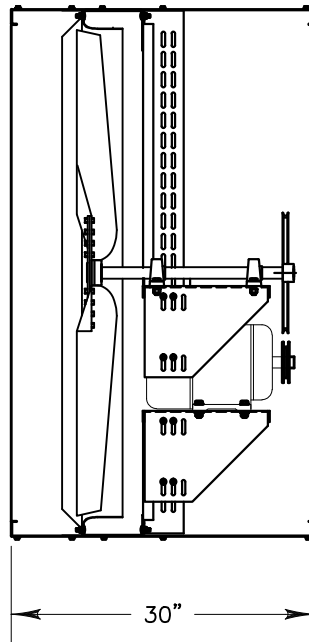



INTAKE VIEW



DISCHARGE VIEW

HORSE POWER: 5
 VOLTAGE: 230V
 PHASE: 1
 BLADE DIAMETER: 60"

 TRIANGLE ENGINEERING OF ARKANSAS, INC.	RVI6019W WALL FAN	
	RVI6019W	REV
DR. BY: TOM KING	CKD.	APP.
SHEET 1 OF 1	NOT TO SCALE	7 OCT 2015