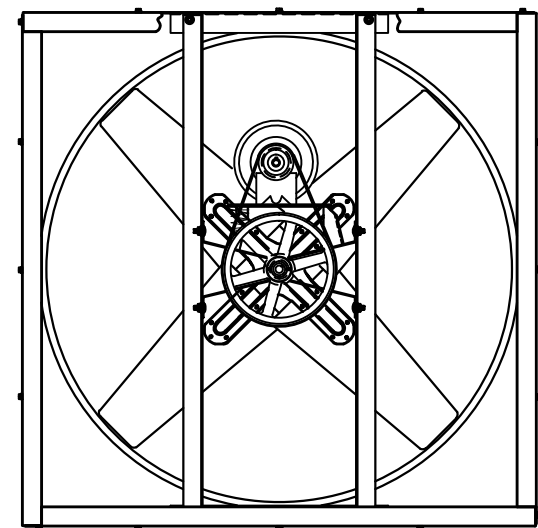
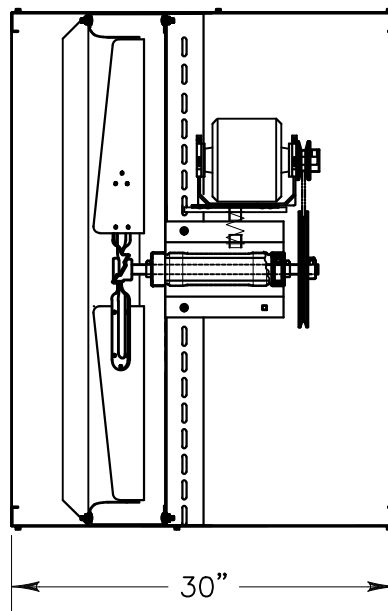


INTAKE VIEW



DISCHARGE VIEW

HORSE POWER: 3/4
 VOLTAGE: 115/230V
 PHASE: 1
 BLADE DIAMETER: 36"



TRIANGLE ENGINEERING
 OF ARKANSAS, INC.

RVI3614U
 WALL FAN

RVI3614U

REV

DR. BY: TOM KING

CKD.

APP.

SHEET 1 OF 1

NOT TO SCALE

28 SEP 2015