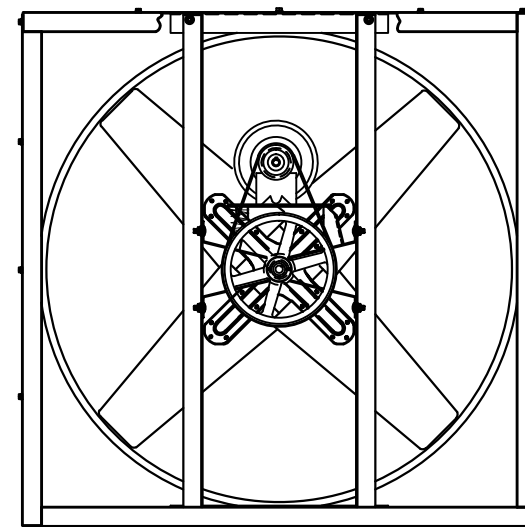
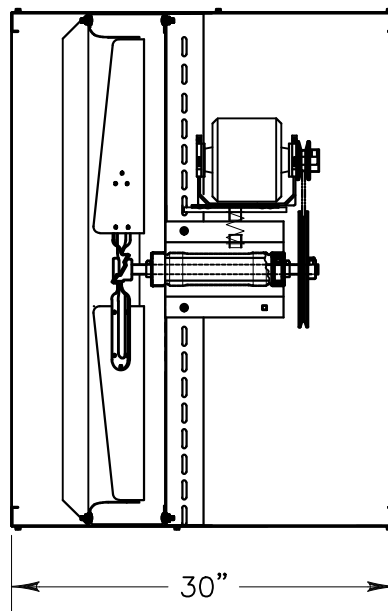


INTAKE VIEW



DISCHARGE VIEW

HORSE POWER: 1/2
 VOLTAGE: 115V
 PHASE: 1
 BLADE DIAMETER: 36"



TRIANGLE ENGINEERING
 OF ARKANSAS, INC.

RVI3613V
 WALL FAN

RVI3613V

REV

DR. BY: TOM KING

CKD.

APP.

SHEET 1 OF 1

NOT TO SCALE

28 SEP 2015