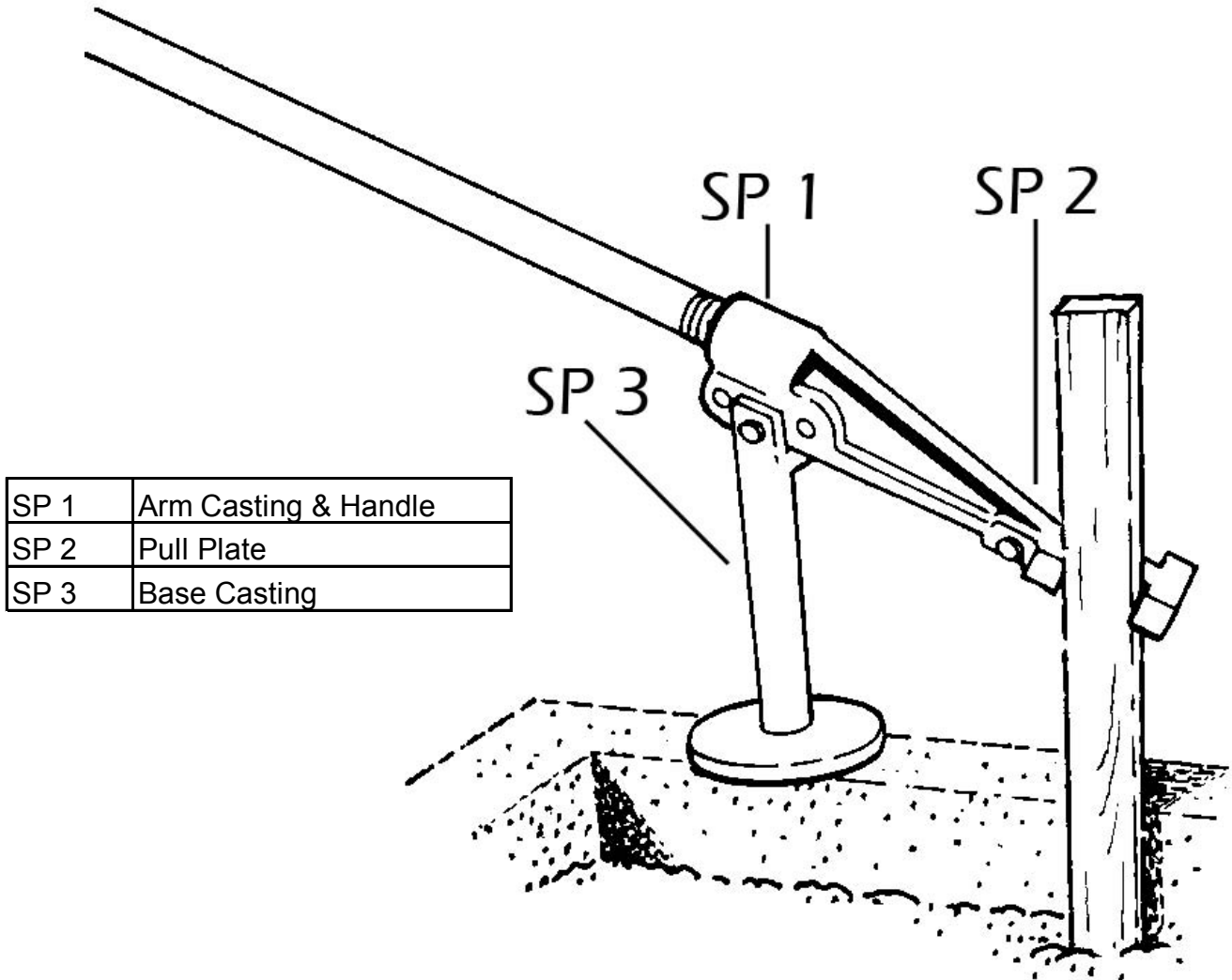




Tolman Tool Manufacturing, Inc.

1256 W. First Street, Pomona, CA 91766
Tel (800) 233-4437 - Fax (909) 629-5762
www.tolmantool.com

Stake Puller Parts Chart



SP 1	Arm Casting & Handle
SP 2	Pull Plate
SP 3	Base Casting