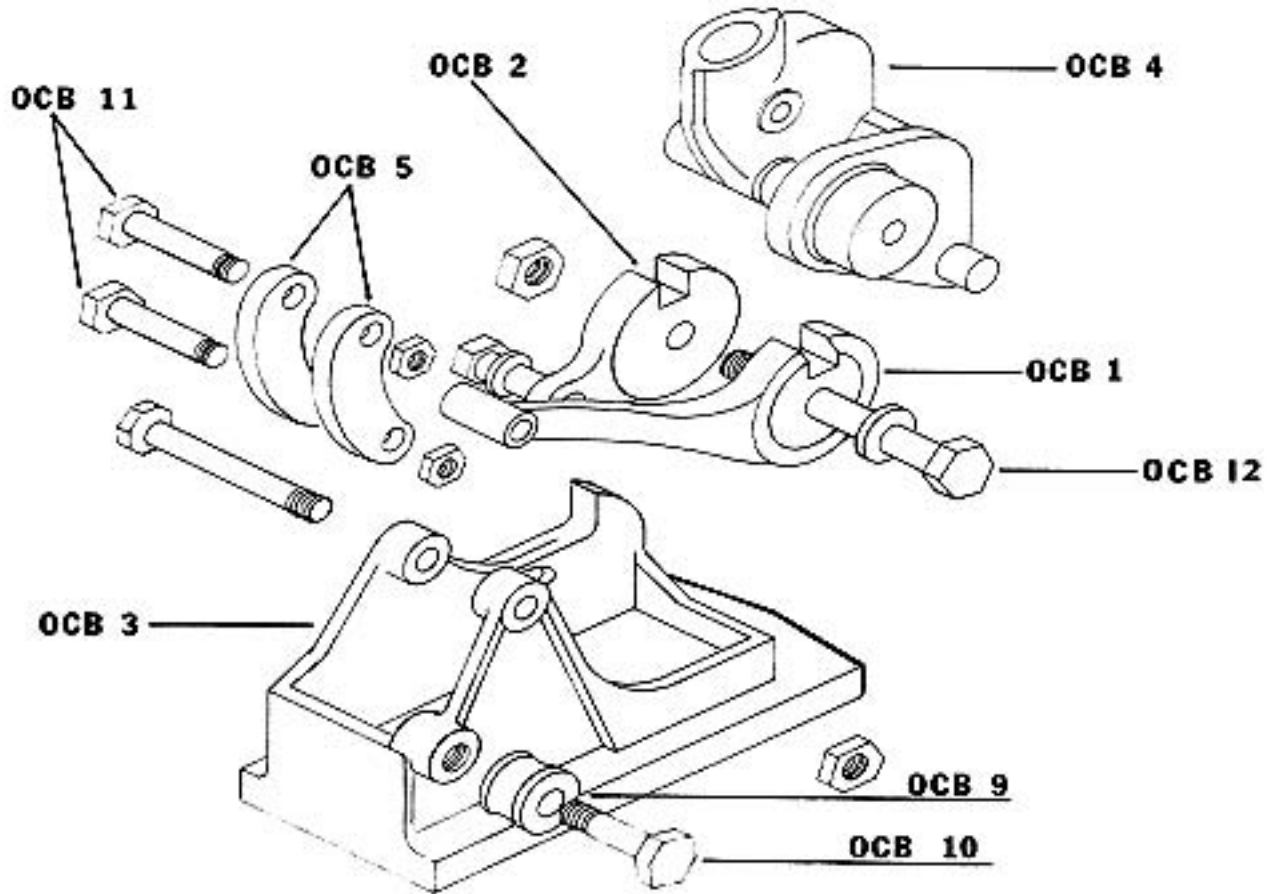




Tolman Tool Manufacturing, Inc.

1256 W. First Street, Pomona, CA 91766
 Tel (800) 233-4437 - Fax (909) 629-5762
 www.tolmantool.com

Open Cutter/Bender Parts Chart



OCB 1	Long Arm Cutter
OCB 2	Short Arm Cutter
OCB 3	Housing
OCB 4	Bender Casting
OCB 5	Link Set (2 pcs.)
OCB 6	Handle Clip
OCB 7	Handle
OCB 8	Board
OCB 9	Roller
OCB 10	Roller Bolt
OCB 11	Link Bolt (each)
OCB 12	Main Bolt Assembly