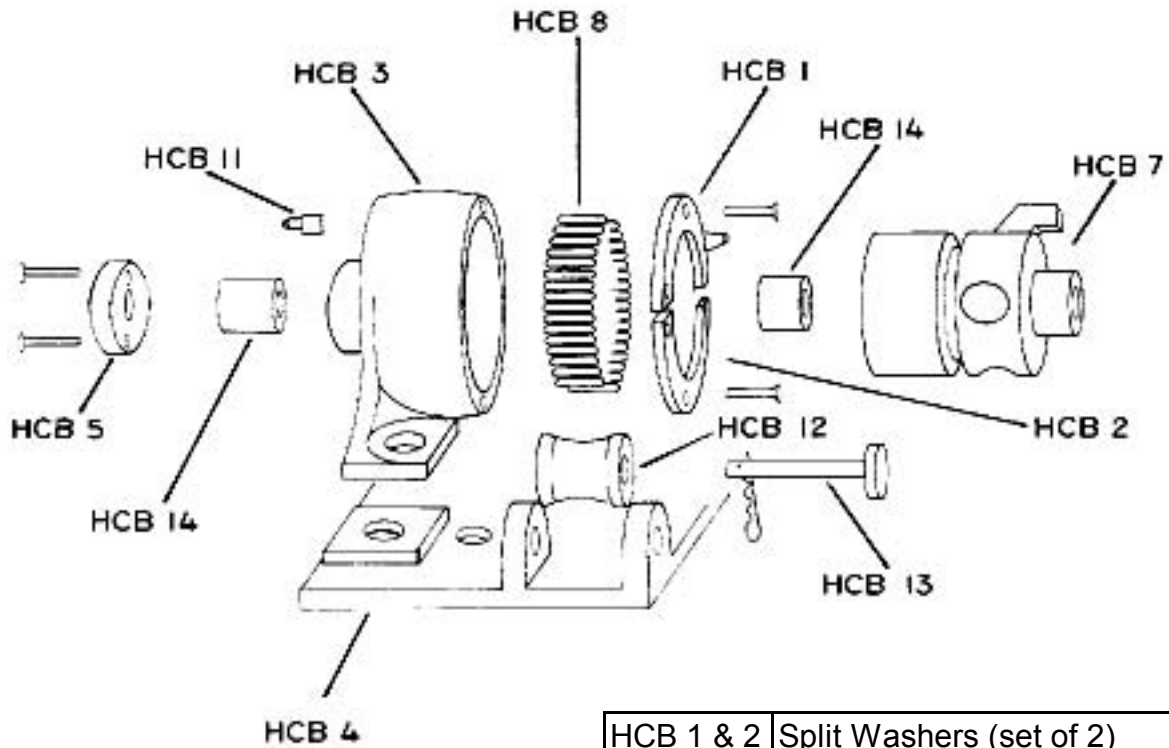




Tolman Tool Manufacturing, Inc.

1256 W. First Street, Pomona, CA 91766
 Tel (800) 233-4437 - Fax (909) 629-5762
 www.tolmantool.com

Hub Cutter/Bender Parts Chart



HCB 1 & 2	Split Washers (set of 2)
HCB 3	Housing w/grease fitting
HCB 4	Base Casting
HCB 5	Back Plate
HCB 6	Handle Clip
HCB 7	Hub w/bushing
HCB 8	Bearing Set (46 pcs.)
HCB 9	Handle
HCB 10	Board
HCB 11	Grease Fitting
HCB 12	Roller
HCB 13	Roller Pin
HCB 14	Cutter-Bushing Set (2 pcs.)
HCB 15	Willard style cutter-bushings