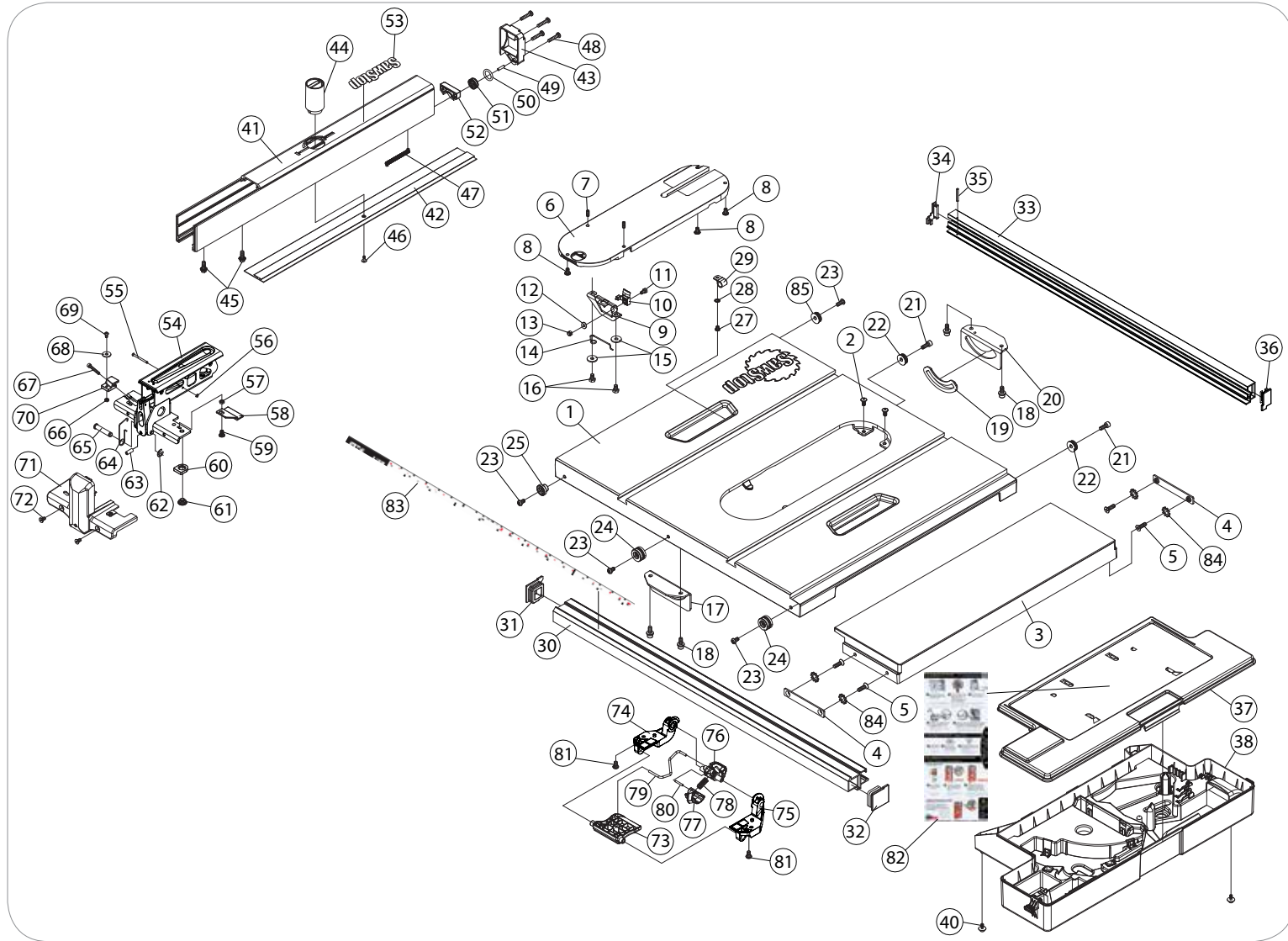


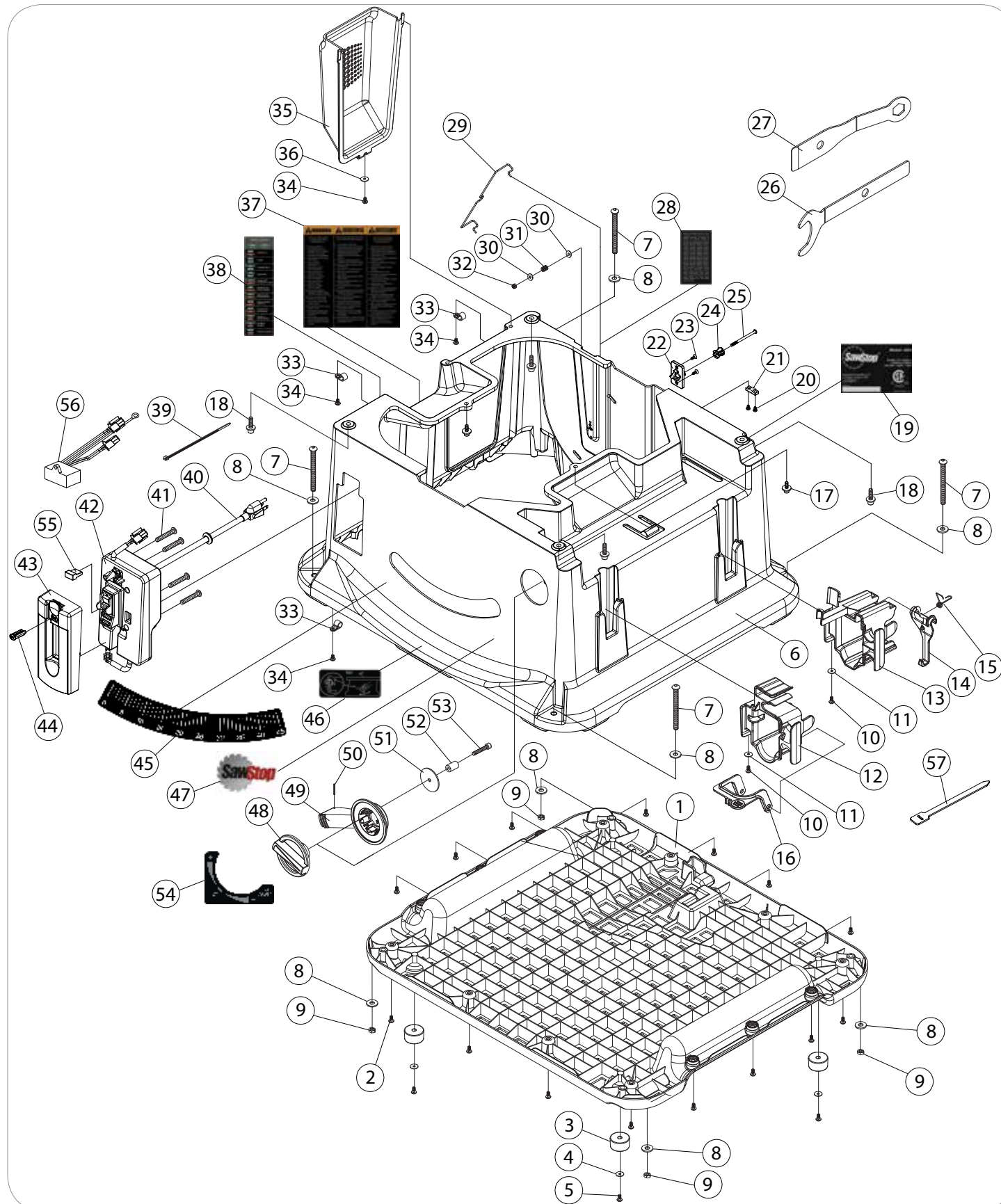
Table and Fence Assembly – Exploded View and Parts List



No.	Description	Part No.	Qty.
1	Table	JSS-001	1
2	Rear Lock Down Screw for Insert	JSS-002	2
3	Extension Wing	JSS-003	1
4	Rail Clamp Plate	JSS-004	2
5	M6x1.0x16 Flat Head Socket Screw	JSS-005	4
6	Table Insert (includes items 7 & 8)	TSI-SJB	1
7	M6x1.0x8 Flat Tip Set Screw	JSS-007	2
8	M6x1.0x9.5 Insert Leveling Screw	JSS-008	3
9	Insert Latch	JSS-009	1
10	Insert Release Lever	JSS-010	1
11	M5x0.8x10 Hex Head Bolt	JSS-011	1
12	M5x12x1 Washer	JSS-012	1
13	M5x0.8 Lock Nut	JSS-013	1
14	Insert Ejection Spring	JSS-014	1
15	M6x12x1 Washer	JSS-015	2
16	M6x1.0x10 Hex Head Bolt	JSS-016	2
17	Front Trunnion Bracket	JSS-017	1
18	M6x1.0x16 Socket Head Cap Combination Screw	JSS-018	4
19	Trunnion Guide Bushing	JSS-019	1
20	Rear Trunnion Bracket	JSS-020	1
21	M6x1.0x16 Socket Head Cap Screw	JSS-021	2
22	Rear Rail Mount Pad	JSS-022	2
23	M6x1.0x16 Button Head Socket Screw	JSS-023	4
24	Front Rail Mount Pad	JSS-024	2
25	Left Front Rail Mount Pad	JSS-025	1
27	M5x0.8x10 Pan Head Phillips Screw	JSS-027	1
28	M5 External Tooth Lock Washer	JSS-028	1
29	Table Cable Clamp	JSS-029	1
	5/16" Cable Clamp (JSS-AU)	JSS-316	1
30	Front Rail	JSS-030	1
31	Left Front Rail End Cap	JSS-031	1
32	Right Front Rail End Cap	JSS-032	1
33	Rear Rail	JSS-033	1
34	Left Rear Rail End Cap	JSS-034	1
35	Spring Pin (3mm x 28mm)	JSS-035	1
36	Right Rear Rail End Cap	JSS-036	1
37	Storage Drawer Lid	JSS-037	1
38	Storage Drawer	JSS-038	1
40	M5x1.59x16 Washer Head Phillips Thread Cutting Screw	JSS-040	2
N/A	Fence Assembly (includes items 41-72)	JSS-FA	1
41	Fence Tube (includes item 53)	JSS-041	1
42	Support Shelf	JSS-042	1
43	Fence End Cap	JSS-043	1
44	Support Shelf Knob	JSS-044	1
45	M6x1.0x16 Flange Head Phillips Screw	JSS-045	2
46	M4x1.41x10 Button Head Phillips Screw	JSS-046	1
47	Support Shelf Spring	JSS-047	1
48	M5x1.59x25 Pan Head Phillips Screw	JSS-048	4

No.	Description	Part No.	Qty.
49	Fence Roller Pin (4mm x 16mm)	JSS-049	1
50	16mm O-Ring	JSS-050	1
51	Fence Roller Wheel	JSS-051	1
52	Fence Roller Cover	JSS-052	1
53	SawStop Fence Label	JSS-053	1
54	Fence Head Assembly (includes items 55-72)	JSS-054	1
55	Fence Latch Pivot Pin (5mm x 36mm)	JSS-055	1
56	3mm E-Style Retaining Ring	JSS-056	1
57	M6x1.0 Left-Hand Jam Nut	JSS-057	1
58	Fence Pointer	JSS-058	1
59	M6x1.0x9.5 Fence Indicator Lens Screw	JSS-059	1
60	Fence Glide Pad	JSS-060	1
61	Fence Glide Pad Screw	JSS-061	1
62	8mm E-Style Retaining Ring	JSS-062	1
63	M6x1.0x14 Flat Tip Set Screw	JSS-063	1
64	Fence Latch Spring	JSS-064	1
65	Grooved Clevis Pin (8mm x 39mm)	JSS-065	1
66	M5x0.8 Jam Nut	JSS-066	1
67	M5x0.8x30 Button Head Socket Screw	JSS-067	1
68	M5x1.0x2 Washer	JSS-068	1
69	M5x0.8x10 Button Head Socket Screw	JSS-069	1
70	Fence Parallelism Adjustment Pad	JSS-070	1
71	Fence Head Cover	JSS-071	1
72	M5x0.8x12 Flat Head Socket Screw	JSS-072	2
73	Rail Handle	JSS-073	1
74	Left Rail Handle Bracket	JSS-074	1
75	Right Rail Handle Bracket	JSS-075	1
76	Rail Lock Linkage Cam	JSS-076	1
77	Rail Lock Clamp Cam	JSS-077	1
78	Rail Locking Cam Spring	JSS-078	1
79	Rail Lock Link	JSS-079	1
80	Dowel Pin (3mm x 25mm)	JSS-080	1
81	M6x1.0x10 Pan Head Phillips Screw	JSS-081	2
82	Storage Drawer Label	JSS-082	1
83	Fence Ruler (in)	JSS-299	1
	Fence Ruler (mm)	JSS-320	1
84	M12 External Tooth Lock Washer	JSS-307	4
85	Rear Left Rail Mount Pad	JSS-328	1

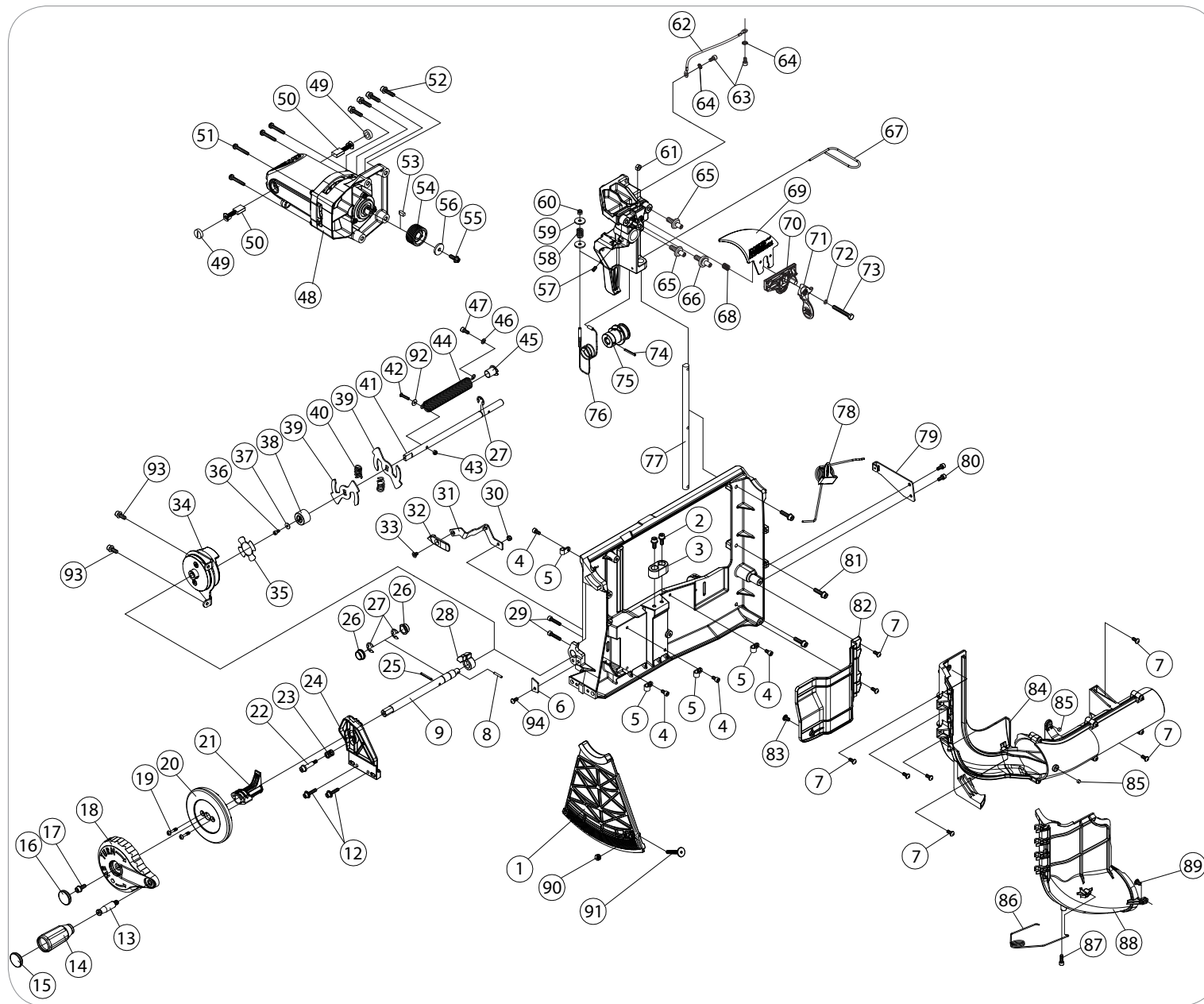
Cabinet Assembly – Exploded View and Parts List



No.	Description	Part No.	Qty.
1	Cabinet Base	JSS-083	1
2	M5x1.59x16 Pan Head Phillips Screw	JSS-084	15
3	Support Foot	JSS-085	4
4	M5x16x2 Washer	JSS-086	4
5	M5x1.59x25 Pan Head Phillips Screw	JSS-087	4
6	Cabinet	JSS-088	1
7	M8x1.25x90 Button Head Socket Screw	JSS-089	4
8	M8x20x2 Washer	JSS-090	8
9	M8x1.25 Lock Nut	JSS-091	4
10	M5x1.59x20 Pan Head Phillips Screw	JSS-092	2
11	M5x16x2 Washer	JSS-093	2
12	Front Fence Storage Bracket	JSS-094	1
13	Rear Fence Storage Bracket	JSS-095	1
14	Fence Storage Retainer	JSS-096	1
15	Fence Storage Spring	JSS-097	1
16	Fence Storage Lock	JSS-098	1
17	M5x0.8x16 Socket Head Cap Combination Screw	JSS-099	2
18	M6x1.0x25 Socket Head Cap Combination Screw	JSS-100	4
19	Specification Label	JSS-101	1
	Specification Label (JSS-AU)	JSS-313	
	Specification Label (JSS-TW)	JSS-323	
	Specification Label (JSS-CH)	JSS-324	
20	M4x1.41x16 Pan Head Phillips Screw	JSS-102	2
21	Power Cord Clamp	JSS-103	1
	Power Cord Clamp (JSS-AU)	JSS-317	
22	Accessory Storage Plate	JSS-104	1
23	M5x1.59x12 Flat Head Phillips Screw	JSS-105	2
24	Accessory Storage Lock	JSS-106	1
25	Accessory Storage Screw	JSS-107	1
26	Arbor Flange Wrench	JSS-108	1
27	Arbor Nut Wrench	JSS-109	1
28	Patent Label	JSS-110	1
29	Accessory Storage Spring	JSS-111	1
30	M4x14x1 Washer	JSS-112	2
31	Storage Lock Spring	JSS-113	1
32	M4x0.7 Lock Nut	JSS-114	1
33	9.2mm Cable Clamp	JSS-115	3
	6.3mm Cable Clamp (JSS-AU)	JSS-327	2
34	M5x1.59x12 Pan Head Phillips Screw	JSS-116	4
35	Motor Cover	JSS-117	1
36	M5x16x1 Washer	JSS-118	1
37	Main Warning Label	JSS-119	1
38	System Status Label	JSS-120	1
39	Cable Tie	JSS-121	1
40	120VAC Power Cord	JSS-122	1
	230VAC Power Cable (JSS-AU)	JSS-309	
	230VAC Power Cable (JSS-CH)	JSS-326	
41	M5x1.59x30 Pan Head Phillips Screw	JSS-123	4

No.	Description	Part No.	Qty.
42	Switch Box Back Assembly	JSS-124	1
43	Switch Box Front Assembly	JSS-125	1
N/A	Switch Box Assembly (JSS-AU) (includes items 40-43, 56)	JSS-319	1
N/A	Switch Box Assembly (JSS-CH) (includes items 40-43)	JSS-325	1
44	Bypass Key	JSS-126	1
45	Angle Ruler Label	JSS-127	1
46	Tilt Label	JSS-128	1
47	SawStop Label	JSS-129	1
48	MicroAdjust Tilt Knob	JSS-130	1
49	MicroAdjust Tilt Arm	JSS-131	1
50	Spring Pin (2mm x 22mm)	JSS-132	1
51	M6x45x2 Washer	JSS-133	1
52	MicroAdjust Knob Spacer	JSS-134	1
53	M6x1.0x35 Socket Head Cap Screw	JSS-135	1
54	Tilt Adjust Label	JSS-136	1
55	Switch Box Lock Out Key	JSS-329	1
56	EMC Filter (JSS-AU)	JSS-310	1
57	Power Cord Velcro Tie (JSS-AU)	JSS-315	1

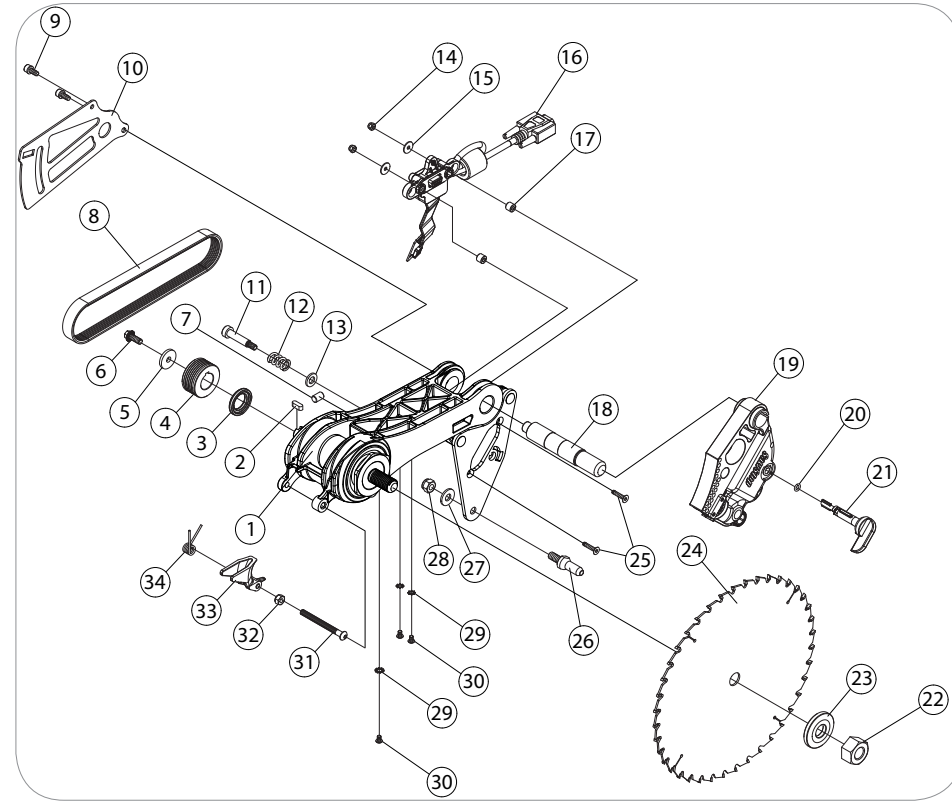
Internal Assembly – Exploded View and Parts List



No.	Description	Part No.	Qty.
1	Tilt Angle Rack	JSS-137	1
2	M6x1.0x16 Socket Head Cap Combination Screw	JSS-138	2
3	Arbor Bumper	JSS-139	1
4	M5x0.8x10 Socket Head Cap Screw	JSS-140	4
5	6.3mm Cable Clamp	JSS-141	4
6	Tilt Rack Retaining Bracket	JSS-142	1
7	M5x0.8x12 Button Head Socket Combination Screw	JSS-143	8
8	Spring Pin (3mm x 20mm)	JSS-144	1
9	Elevation Input Shaft	JSS-145	1
12	M5x0.8x25 Socket Head Cap Combination Screw	JSS-148	2
13	Handwheel Handle Post	JSS-149	1
14	Handwheel Handle	JSS-150	1
15	Handwheel Cap	JSS-151	1
16	Handwheel Cap	JSS-152	1
17	M6x1.0x16 Socket Head Cap Combination Screw	JSS-153	1
18	Handwheel	JSS-154	1
19	M5x1.59x16 Pan Head Phillips Screw	JSS-155	2
20	Tilt Lock Handle	JSS-156	1
21	Tilt Lock Sleeve	JSS-157	1
22	M5x0.8 Socket Head Shoulder Screw (7mm x 23mm)	JSS-158	1
23	Tilt Locking Spring	JSS-159	1
24	Tilt Locking Plate	JSS-160	1
25	Spring Pin (5mm x 28mm)	JSS-161	1
26	Bushing (14mm x 17mm x 6mm)	JSS-162	2
27	14mm E-Style Retaining Ring	JSS-163	3
28	Elevation Limit Collar	JSS-164	1
29	M5x0.8x25 Socket Head Cap Screw	JSS-165	2
30	M5x0.8 Lock Nut	JSS-166	1
31	Tilt Indicator Bracket	JSS-167	1
32	Tilt Indicator	JSS-168	1
33	M5x0.8x8 Red Flat Head Socket Screw	JSS-169	1
34	Backdrive Prevention Assembly	JSS-170	1
35	Coupler Seal	JSS-171	1
36	M4x0.7x8 Socket Head Cap Screw	JSS-172	1
37	M4x10x1 Washer	JSS-173	1
38	Elevation Control Shaft Coupler	JSS-174	1
39	Shock Spring Mounting Plate	JSS-175	2
40	Shock Compression Spring	JSS-176	2
41	Elevation Control Shaft	JSS-177	1
42	M4x0.7x20 Button Head Socket Screw	JSS-178	1
43	M4x0.7 Lock Nut	JSS-179	1
44	Elevation Balance Spring	JSS-180	1
45	Elevation Spring Bushing	JSS-181	1
46	M5x10x1 Washer	JSS-182	1
47	M5x0.8x12 Button Head Socket Screw	JSS-183	1
48	120V, 60Hz Motor (JSS and JSS-TW)	JSS-184	1
	230V, 50Hz Motor (JSS-AU and JSS-CH)	JSS-311	
49	Motor Brush Cap	JSS-185	2
50	Motor Brush	JSS-186	2

No.	Description	Part No.	Qty.
51	M5x0.8x35 Pan Head Phillips Combination Screw	JSS-187	4
52	M6x1.0x25 Socket Head Cap Combination Screw	JSS-188	4
53	M5x5x12 Key	JSS-189	1
54	Motor Pulley	JSS-190	1
55	M6x1.0x16 Flange Head Phillips Screw	JSS-191	1
56	M6x23x3 Washer	JSS-192	1
57	M5x0.8x12 Set Screw	JSS-193	1
58	Cable Tensioning Spring	JSS-194	1
59	M5x16x3 Washer	JSS-195	2
60	M5x0.8 Lock Nut	JSS-196	1
61	M6x1.0 Hex Nut	JSS-197	1
62	Trunnion Grounding Wire	JSS-198	1
63	M5x0.8x10 Socket Head Cap Screw	JSS-199	2
64	M5 External Tooth Lock Washer	JSS-200	2
65	Spreader Mounting Pin	JSS-201	2
66	Spreader Locating Pin	JSS-202	1
67	Shipping Pin	JSS-203	1
68	Spreader Clamp Spring	JSS-204	1
69	2.3mm Riving Knife	JSS-205	1
70	Spreader Clamp Plate	JSS-206	1
71	Spreader Clamp Handle	JSS-207	1
72	M6 Polyurethane O-Ring	JSS-208	1
73	M6x1.0x45 Hex Head Bolt	JSS-209	1
74	Spring Pin (3mm x 28mm)	JSS-210	1
75	Elevation Control Pulley	JSS-211	1
76	Elevation Cable	JSS-212	1
77	Elevation Shaft	JSS-213	1
78	Counterbalance Spring	JSS-214	1
79	Counterbalance Spring Bracket	JSS-215	1
80	M5x0.8x12 Socket Head Cap Combination Screw	JSS-216	2
81	M6x1.0x25 Socket Head Cap Combination Screw	JSS-217	3
82	Rear Blade Shroud	JSS-218	1
83	M6x1.0x9.5 Insert Leveling Screw	JSS-219	1
84	Dust Shroud Base	JSS-220	1
85	Dust Shroud Magnet	JSS-221	2
86	Dust Shroud Door Spring	JSS-222	1
87	M5x0.8x16 Socket Head Cap Screw	JSS-223	1
88	Dust Shroud Door	JSS-224	1
89	M6x1.0x9.5 Insert Leveling Screw	JSS-225	1
90	M6x1.0 Lock Nut	JSS-226	1
91	Tilt Angle Rack Adjustment Screw	JSS-227	1
92	M4x10x1 Washer	JSS-228	1
93	M6x1.0x16 Socket Head Cap Combination Screw	JSS-229	2
94	M5x0.8x12 Button Head Socket Combination Screw	JSS-230	1

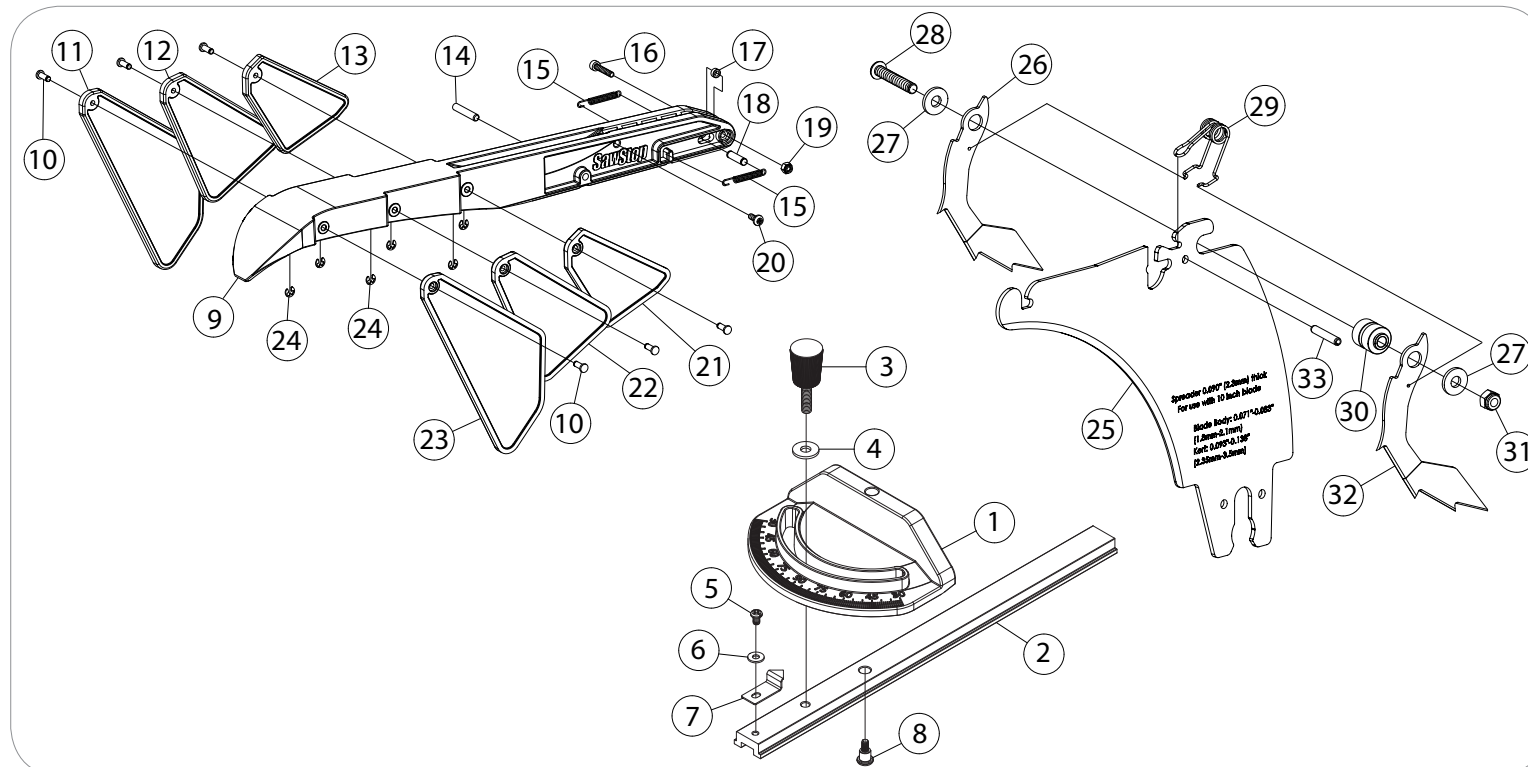
Arbor Assembly – Exploded View and Parts List



No.	Description	Part No.	Qty.
1	Arbor Block Assembly (includes items 1-7, 11-18, 25-34)	JSS-231	1
2	M6x6x18 Key	JSS-232	1
3	Arbor Spacer	JSS-233	1
4	Arbor Pulley	JSS-234	1
5	M6x23x3 Washer	JSS-235	1
6	M6x1.0x16 Flange Head Phillips Screw	JSS-236	1
7	Retraction Guide Pin	JSS-237	1
8	Belt (Replacement Kit)	JSS-238	1
9	M5x0.8x12 Socket Head Cap Combination Screw	JSS-239	2
10	Retraction Bracket	JSS-240	1
11	M6x1.0 Socket Head Shoulder Bolt (8mm x 33mm)	JSS-241	1
12	Retraction Spring	JSS-242	1
13	M8x16x2 Washer	JSS-243	1
14	M4x0.7 Lock Nut	JSS-244	2
15	M4x14x1 Washer	JSS-245	2
16	Cartridge Cable Assembly	JSS-246	1

No.	Description	Part No.	Qty.
17	Cartridge Bracket Spacer	JSS-247	2
18	Arbor Pivot Shaft	JSS-248	1
19	Brake Cartridge	TSBC-10R2	1
20	Cartridge Key O-Ring	JSS-250	1
21	Cartridge Key (includes item 20)	JSS-251	1
22	Arbor Nut	JSS-252	1
23	Arbor Washer	JSS-253	1
24	10 inch Combination Saw Blade	JSS-254	1
25	M4x0.7x20 Flat Head Socket Screw	JSS-255	2
26	Cartridge Positioning Pin	JSS-256	1
27	M8x16x2 Washer	JSS-257	1
28	M8x1.25 Lock Nut	JSS-258	1
29	M4 External Tooth Washer	JSS-259	3
30	M4x0.7x6 Button Head Socket Screw	JSS-260	3
31	M6x1.0 Alignment Block Bolt	JSS-261	1
32	M6x1.0 Lock Nut	JSS-262	1
33	Alignment Block	JSS-263	1
34	Block Alignment Spring	JSS-264	1

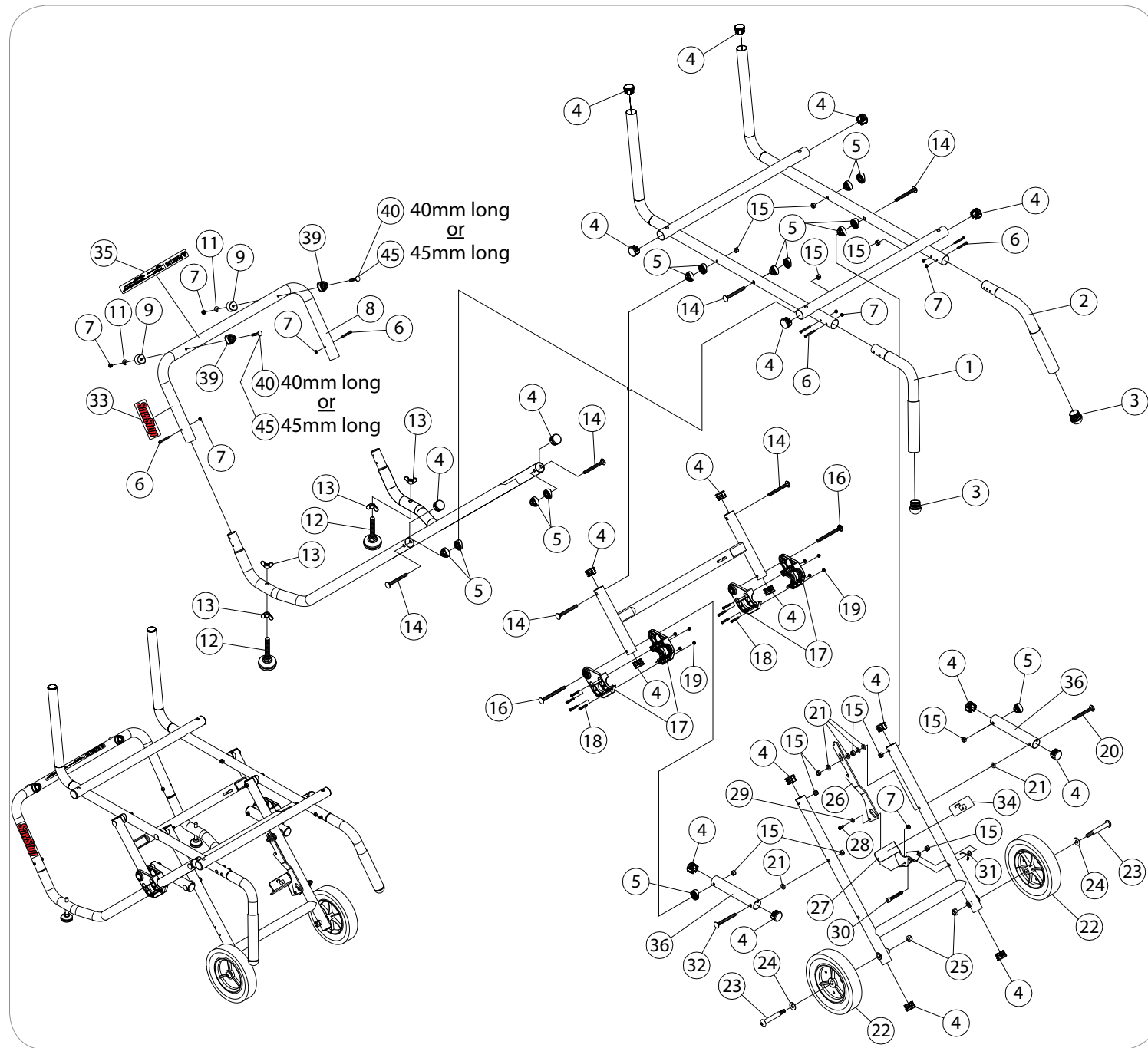
Blade Guard and Miter Gauge Assembly – Exploded View and Parts List



No.	Description	Part No.	Qty.
N/A	Miter Gauge Assembly (includes items 1-8)	JSS-265	1
1	Miter Gauge Head	JSS-266	1
2	Miter Gauge Bar	JSS-267	1
3	Miter Gauge Handle	JSS-268	1
4	M6x16x1.6 Washer	JSS-269	1
5	M4x0.7x6 Pan Head Phillips Screw	JSS-270	1
6	M4x10x1 Washer	JSS-271	1
7	Miter Gauge Angle Indicator	JSS-272	1
8	M4x0.7 Pan Head Phillips Shoulder Screw (69mm x 63mm)	JSS-273	1
N/A	JSS Micro-Guard Blade Guard Assembly (includes items 9-33)	JSS-MG	1
N/A	Complete Top Guard Assembly (includes items 9-24)	TSG-MG-026	1
9	Top Guard	JSS-274	1
10	Grooved Clevis Pin (3mm x 8mm)	JSS-275	6
11	Side Guard Front Left	JSS-276	1
12	Side Guard Middle Left	JSS-277	1
13	Side Guard Rear Left	JSS-278	1

No.	Description	Part No.	Qty.
14	Front Dowel Pin (4mm x 20mm)	JSS-279	1
15	Top Guard Extension Spring	JSS-280	2
16	M3x0.5x16 Socket Head Cap Screw	JSS-281	1
17	Rear Grooved Pin Spacer	JSS-282	1
18	Rear Grooved Pin (4mm x 15mm)	JSS-283	1
19	M3x0.5 Lock Nut	JSS-284	1
20	M3x1.06x8 Pan Head Phillips Screw	JSS-285	1
21	Side Guard Rear Right	JSS-286	1
22	Side Guard Middle Right	JSS-287	1
23	Side Guard Front Right	JSS-288	1
24	3mm E-Style Retaining Ring	JSS-289	6
25	Spreader (includes item 33)	JSS-290	1
26	Anti-Kickback Pawl Left	JSS-291	1
27	M6x16x1.5 Washer	JSS-292	2
28	M6x1.0x30 Button Head Socket Screw	JSS-293	1
29	Pawl Spring	JSS-294	1
30	Pawl Bushing	JSS-295	1
31	M6x1.0 Lock Nut	JSS-296	1
32	Anti-Kickback Pawl Right	JSS-297	1
33	Spring Pin (4mm x 25mm)	JSS-298	1

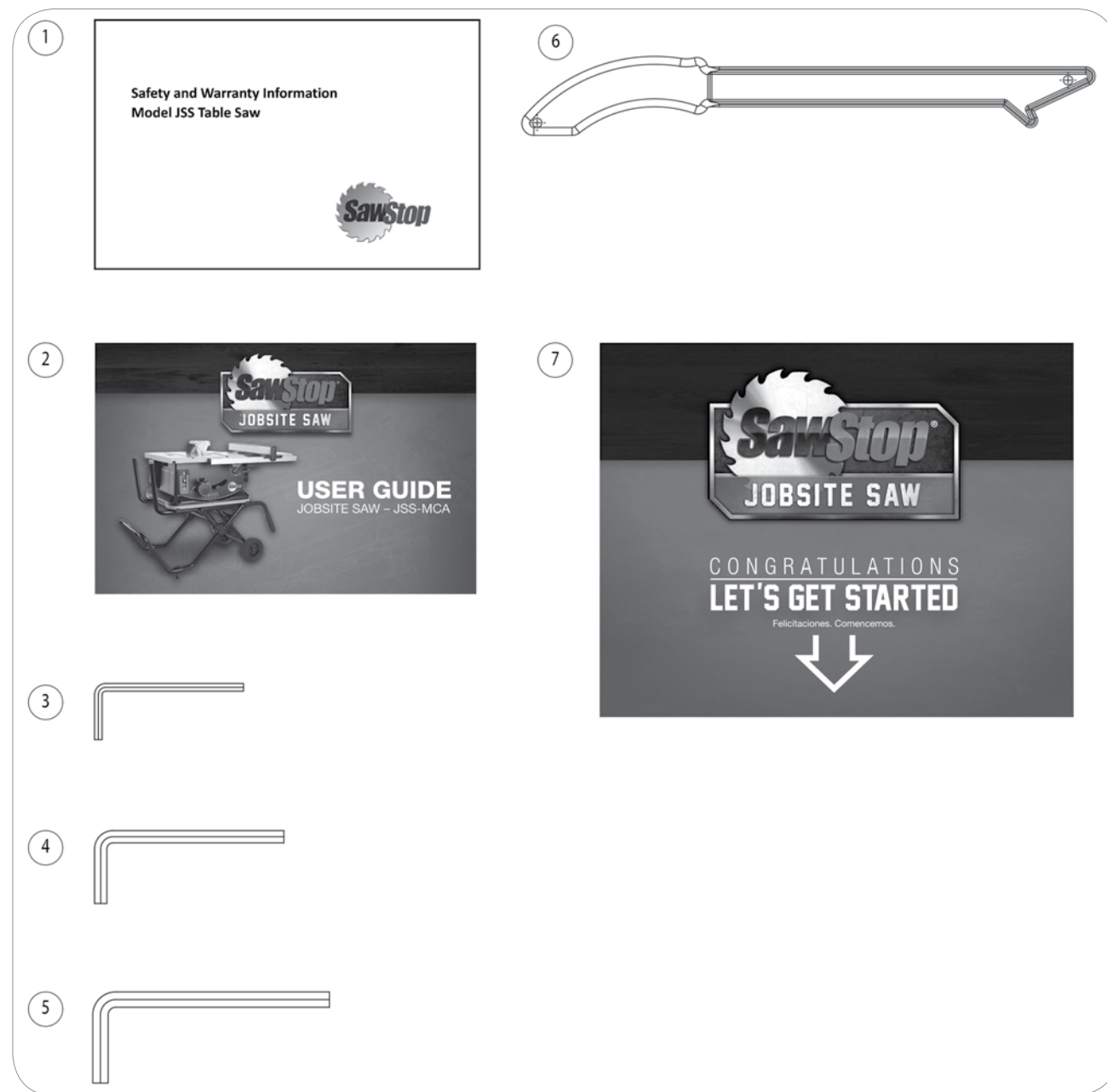
Mobile Cart Assembly – Exploded View and Parts List



No.	Description	Part No.	Qty.
N/A	Jobsite Saw Mobile Cart Assembly (includes items 1-40,45)	MC-JSS	1
1	Left Handle Assembly (includes item 3)	MC-JSS-001	1
2	Right Handle Assembly (includes item 3)	MC-JSS-002	1
3	Handle End Cap	MC-JSS-003	2
4	Tube End Cap	MC-JSS-004	20
5	Pivot Bushing	MC-JSS-005	14
6	M6x1.0x40 Truss Head Phillips Screw	MC-JSS-006	6
7	M6x1.0 Lock Nut	MC-JSS-007	9
8	Storage Support Tube (includes items 33 & 35)	MC-JSS-008	1
9	Rubber Bumper	MC-JSS-009	2
11	M6x16x1 Washer	MC-JSS-011	2
12	Leveling Foot	MC-JSS-012	2
13	3/8-16 Wing Nut	MC-JSS-013	4
14	M8x1.25x82 Carriage Head Bolt	MC-JSS-014	6
15	M8x1.25 Thin Lock Nut	MC-JSS-015	12
16	M8x1.25x105 Carriage Head Bolt	MC-JSS-016	2
17	Sliding Coupler Assembly	MC-JSS-017	2
18	M5x0.8x30 Pan Head Phillips Screw	MC-JSS-018	8
19	M5x0.8 Lock Nut	MC-JSS-019	8
20	M8x1.25x100 Carriage Bolt	MC-JSS-020	1
21	M8x23x3 Washer	MC-JSS-021	6

No.	Description	Part No.	Qty.
22	8" Wheel	MC-JSS-022	2
23	Wheel Axle Bolt	MC-JSS-023	2
24	M14x30x1.5 Washer	MC-JSS-024	2
25	M10x1.5 Lock Nut	MC-JSS-025	2
26	Cart Lock Release Latch	MC-JSS-026	1
27	Foot Pedal (includes item 34)	MC-JSS-027	1
28	M6x1.0x20 Pan Head Phillips Screw	MC-JSS-028	1
29	M6x16x1.6 Washer	MC-JSS-029	1
30	M8x1.25x55 Socket Head Cap Screw	MC-JSS-030	1
31	Foot Pedal Lock Spring	MC-JSS-031	1
32	M8x1.25x75 Carriage Bolt	MC-JSS-032	1
33	SawStop Logo Label	MC-JSS-033	1
34	Foot Pedal Label	MC-JSS-034	1
35	Warning Label	MC-JSS-035	1
36	Connection Tube	MC-JSS-036	2
N/A	Mobile Cart Component Part Box (includes items 1-2, 22, MC-JSS-038)	MC-JSS-037	1
N/A	Mobile Cart Hardware Bag (includes items 6-7, 23-25)	MC-JSS-038	1
39	Frame Support Pad	MC-JSS-039	2
40	M6x1.0x40 Carriage Head Bolt	MC-JSS-040	2
45	M6x1.0x45 Carriage Head Bolt	MC-JSS-045	2

Literature and Tools – Exploded View and Parts List



No.	Description	Part No.	Qty.
1	Safety and Warranty Information	JSS-300	1
2	User Guide	JSS-301	1
3	3mm Hex L-Wrench	JSS-303	1
4	4mm Hex L-Wrench	JSS-304	1
5	5mm Hex L-Wrench	JSS-305	1
6	Push Stick	JSS-306	1
7	Unpacking Poster	JSS-308	1