

SawStop[®]

T-Glide™ Fence System- Professional Series

OWNER'S MANUAL



Warranty

SawStop warrants to the original retail purchaser of the T-Glide Fence System - Professional Series accompanying this manual that the fence system will be free from defects in material and workmanship for ONE YEAR from the date of purchase. This warranty does not apply to defects arising from misuse, abuse, negligence, accidents, normal wear-and-tear, unauthorized repair or alteration, or lack of maintenance.

Please contact SawStop to take advantage of this warranty. If SawStop determines the fence system is defective in material or workmanship, and not due to misuse, abuse, negligence, accidents, normal wear-and-tear, unauthorized repair or alteration, or lack of maintenance, then SawStop will, at its expense and upon proof of purchase, send replacement parts to the original retail purchaser necessary to cure the defect. Alternatively, SawStop will repair the fence system provided it is returned to SawStop, shipping prepaid, within the warranty period. This warranty is void if the fence system is modified without the prior permission of SawStop, LLC, or if the fence system is located or has been used outside of the country where the authorized SawStop distributor from whom the fence system was purchased resides.

SawStop disclaims any and all other express or implied warranties, including merchantability and fitness for a particular purpose. SawStop shall not be liable for death, injuries to persons or property, or incidental, consequential, contingent or special damages arising from the use of the fence system.

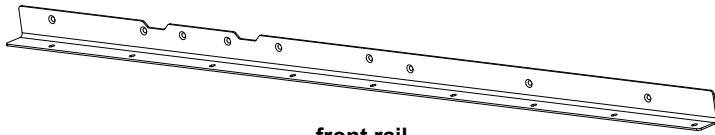
This warranty gives you specific legal rights. You may have other rights which vary from state to state.

Safety

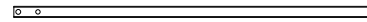
1. You must install a rip fence before using your saw. Attempting to use the saw without the rip fence could result in serious personal injury.
2. Always use a rip fence when making rip cuts. Never perform a ripping operation freehand or a serious injury may result.
3. Always use a push stick or push block when your hand comes within 6 inches of the blade. Attempting to use the rip fence for narrow cuts without a push stick or push block could result in a serious personal injury.
4. Do not use the miter gauge when making rip cuts.
5. While making bevel cuts, use the fence only on the right side of the saw blade to prevent the blade from possibly contacting the fence. The brake will activate if the spinning saw blade comes into contact with the metal in the fence.

Unpacking Your T-Glide Fence System

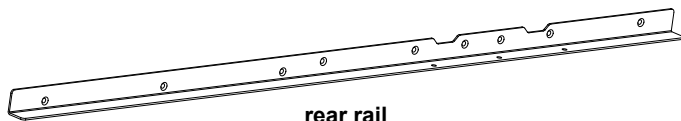
While unpacking your saw, verify that you have all the components shown below for your specific fence system. The T-Glide Fence System – Professional Series is available in either a 52" system or a 36" system. The components pictured below are from the 52" system, although the components from the 36" system are similar.



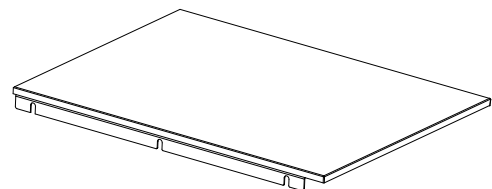
front rail



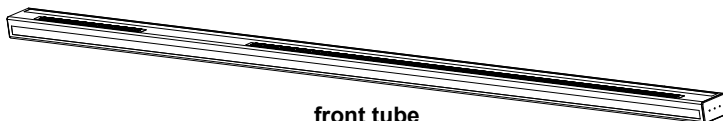
support leg
(two for 52" system,
one for 36" system)



rear rail



extension table



front tube



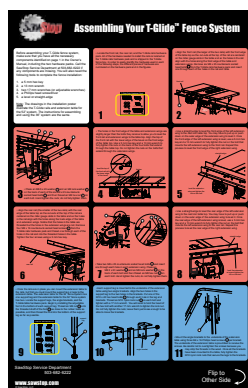
T-Glide fence



angle bracket
(four for 52" system,
two for 36" system)



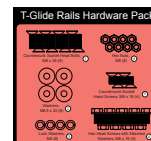
fence handle



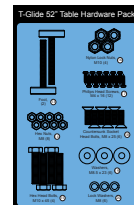
installation instructions poster



owner's manual



T-Glide rails
hardware pack



T-Glide table
hardware pack

Installing Your T-Glide Fence System

Note: Your contractor saw must be fully assembled before installing the fence system.

Installing the Fence Rails

1. Locate the front rail, the rear rail, and the T-Glide rails hardware pack (see Fig. 1). All of the hardware needed to install the rails is located on the T-Glide rails hardware pack and is shipped in the T-Glide fence box. In order to easily identify the hardware used in each of the following steps, the different pieces of hardware are numbered on the hardware pack and in the figures. If you are missing the T-Glide rails hardware pack, the T-Glide table hardware pack, or any of the other fence system components shown on page 1, call the SawStop Service Department at 503-682-6222.

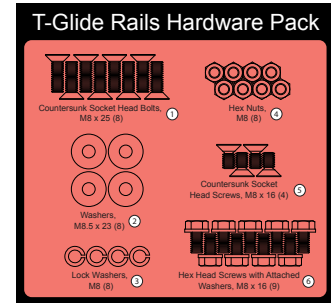


Fig. 1

You will also need the following tools to complete the fence assembly:

- a 13 mm wrench
- two 17 mm wrenches (or adjustable wrenches)
- a 5 mm hex key
- a Phillips head screwdriver
- a level or straight-edge

Note: These drawings below show how to assemble both the 52" and 36" fence systems, although the components shown are from the 52" fence system. The components from the 36" system are similar.

2. Align the front rail (the larger of the two rails) with the front edge of the table top so the cut-outs at the top of the rail are centered on the miter gauge slots in the table and so the holes in the rail align with the holes along the front edge of the table and extension wings. Remove six M8 x 25 countersunk socket head bolts from the T-Glide rails hardware pack and insert one through each of the holes in the rail and into the table and extension wings (see Fig. 2).

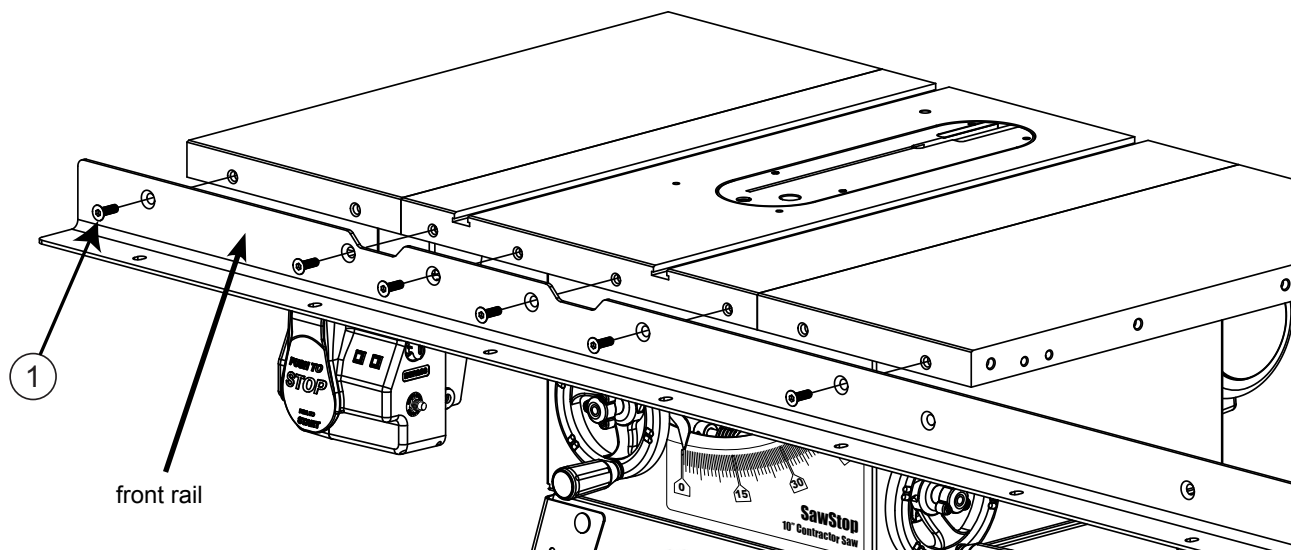


Fig. 2

Installing Your T-Glide Fence System

3. Place an M8.5 x 23 washer and an M8 lock washer on the back of each of the six M8 x 25 countersunk socket head bolts, and then thread an M8 hex nut on each bolt (see Fig. 3). Hand tighten the nuts; do not fully tighten them.

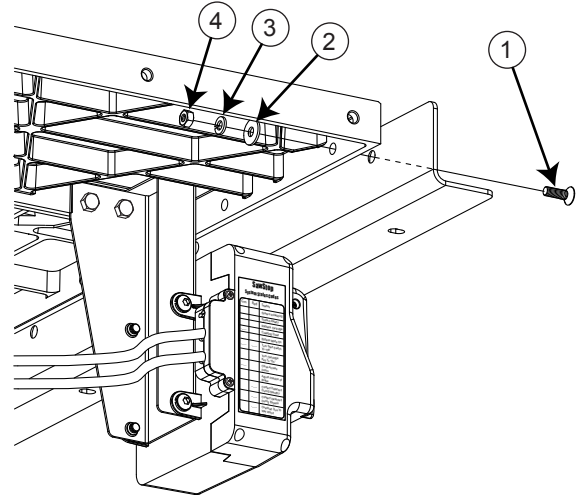


Fig. 3

4. The holes in the front edge of the table and extension wings are slightly larger than the bolts they receive to allow you to level the front rail and extension wings to the table top. Align the top of the front rail with the lower edge of the bevel on the front edge of the table top (see Fig. 4). Use a 5 mm hex key and a 13 mm wrench to fully tighten the nuts on the back of the four bolts that extend through the table top. Do not tighten the nuts on the bolts that extend through the extension wings.

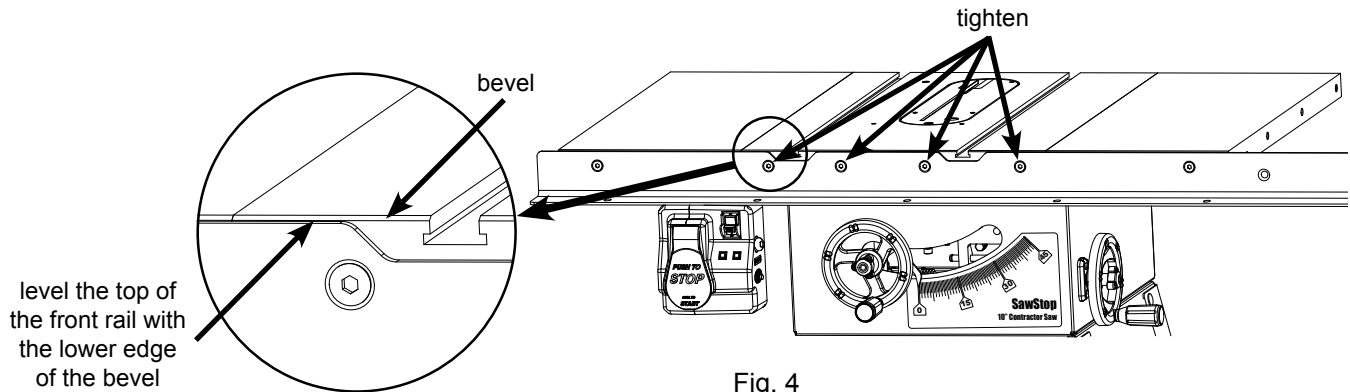


Fig. 4

5. Use a straight-edge to level the front edge of the left extension wing to the cast iron table top (see Fig. 5). You may have to pull up or push down on the outer edge of the extension wing to level it. Once the front edge of the left extension wing is level, use a 5 mm hex key and a 13 mm wrench to fully tighten the nut on the bolt that mounts the left extension wing to the front rail. Repeat this process to level the front edge of the right extension wing.

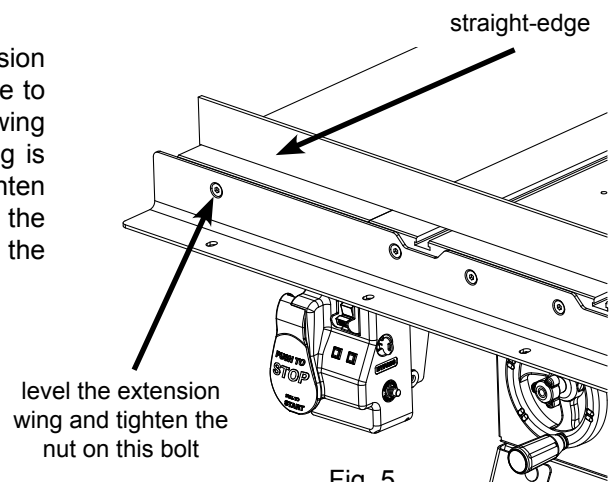


Fig. 5

Installing Your T-Glide Fence System

- Align the rear rail (the smaller of the two rails) with the rear edge of the table top so the cut-outs at the top of the rail are centered on the miter gauge slots in the table and so the holes in the rail align with the holes along the back edge of the table and extension wings. Notice that the holes in the table are threaded but the holes in the extension wings are not. Remove four M8 x 16 countersunk socket head screws from the T-Glide rails hardware pack and thread one through each of the holes in the rail and into the threaded holes in the table (see Fig. 6). Tighten the four screws using a 5 mm hex key.

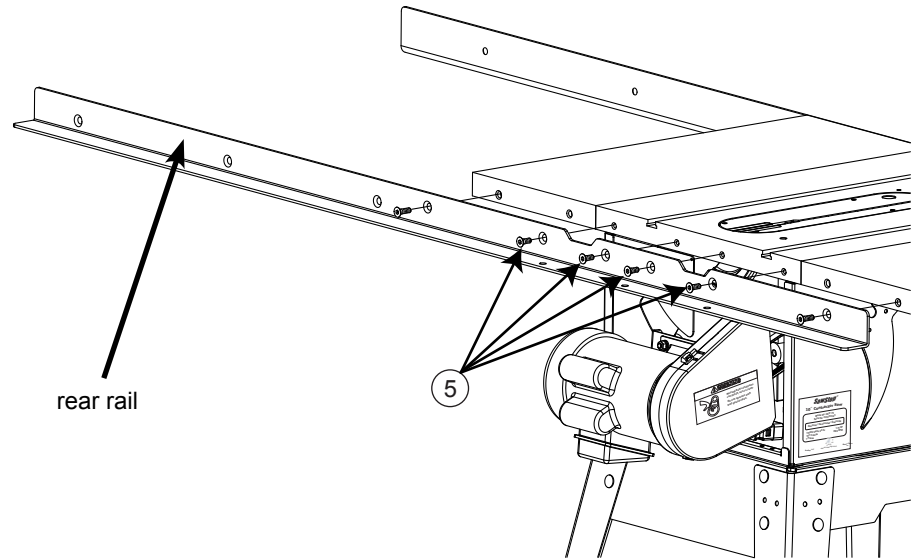


Fig. 6

- Take two M8 x 25 countersunk socket head bolts and insert one through each hole in each extension wing. Place an M8.5 x 23 washer and an M8 lock washer on the back of each bolt and then thread an M8 hex nut on each bolt (see Fig. 7). Hand tighten the nuts; do not fully tighten them.

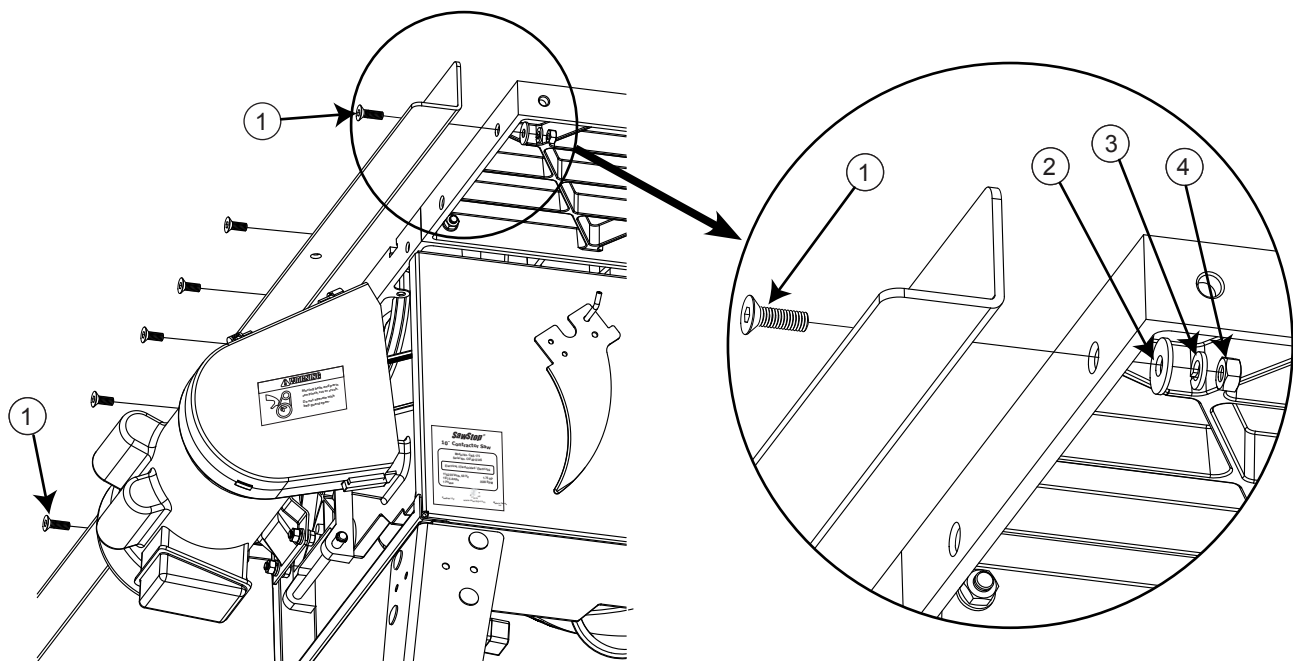


Fig. 7

Installing Your T-Glide Fence System

8. Use a straight-edge to level the rear edge of the left extension wing to the cast iron table top (see Fig. 8). You may have to pull up or push down on the outer edge of the extension wing to level it. Once the rear edge of the left extension wing is level, use a 5 mm hex key and a 13 mm wrench to fully tighten the nut on the bolt that mounts the left extension wing to the rear rail. Repeat this process to level the rear edge of the right extension wing.

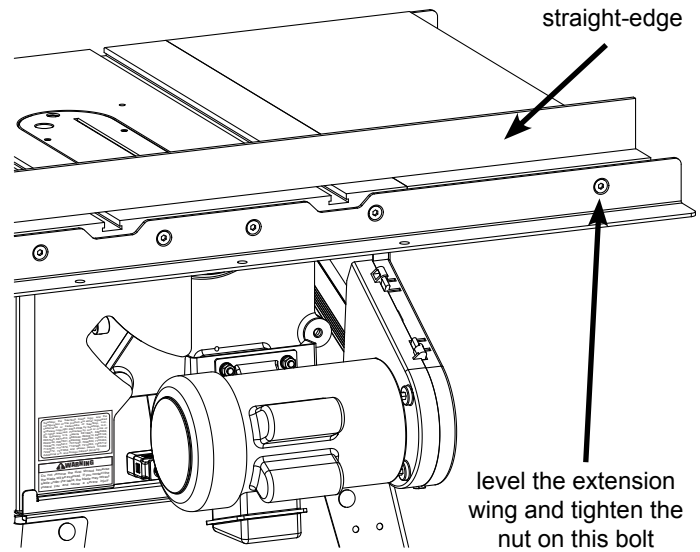


Fig. 8

9. Once the rails are in place you can mount the extension table to the rails, but first you must mount the support leg or legs to the extension table. The extension table for the 36" fence system has one support leg and the extension table for the 52" fence system has two. Locate the support legs, the angle brackets, and the T-Glide table hardware pack. Begin by installing the adjustable foot in the bottom of each support leg. Thread an M8 nut onto the threaded shaft of the foot as close to the rubber base as possible, and then thread the foot into the bottom of the support leg as far as possible (see Fig. 9).

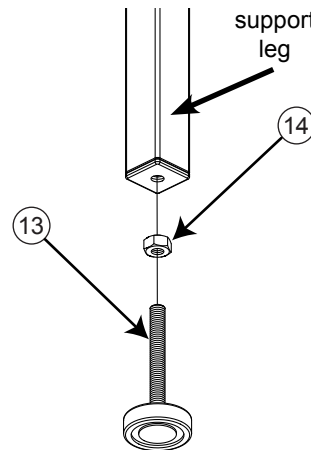
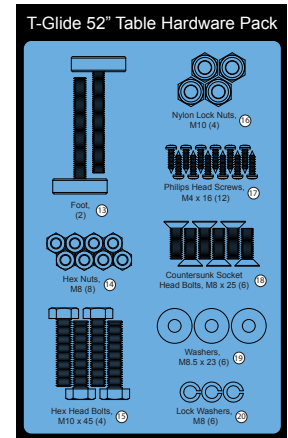


Fig. 9



10. Each support leg is mounted to the underside of the extension table using two angle brackets. Align the two holes in the support leg to the two holes in the brackets as shown in Fig. 10. Put one of the M10 x 45 hex head bolts through each hole in the leg and brackets. Thread an M10 nylon lock nut on each bolt and tighten with a 17 mm wrench. You will need to hold the head of the hex bolt with another 17 mm wrench to tighten the lock nut. Do not fully tighten the nuts; leave them just loose enough to be able to move the brackets.

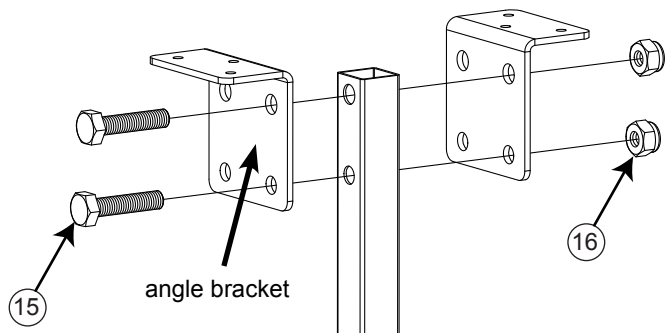


Fig. 10

Installing Your T-Glide Fence System

11. Mount the angle brackets to the underside of the extension table using three M4 x 16 Phillips head screws per bracket (see Fig. 11). The underside of the extension table is pre-drilled to receive the screws. Be careful not to overtighten the screws because you may strip the threads in the wood. Once all the brackets have been mounted to the table, fully tighten the M10 nylon lock nuts that secure the legs to the brackets.

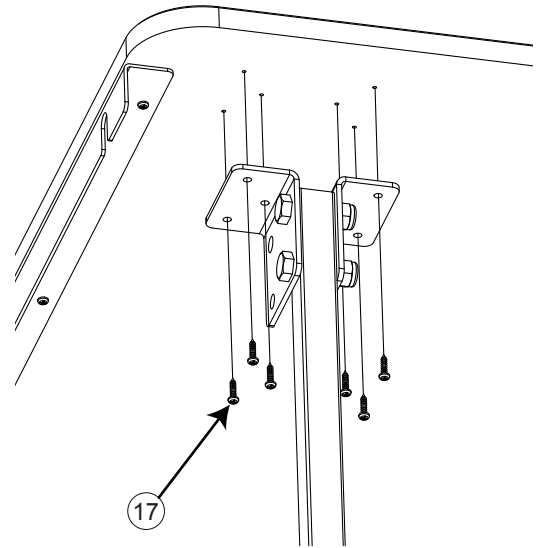


Fig. 11

12. The next step of the assembly is easiest with two people. Position the extension table between the front and rear rails. The support legs should be at the far end of the rails, away from the saw (see Fig. 12). If you are having trouble fitting the table between the rails you can loosen the screws and bolts that mount the rear rail to the saw so that you can move the rear rail out slightly while you position the extension table between the front and rear rails. Align the holes in the front and rear rails with the notches in the front and rear edges of the extension table.

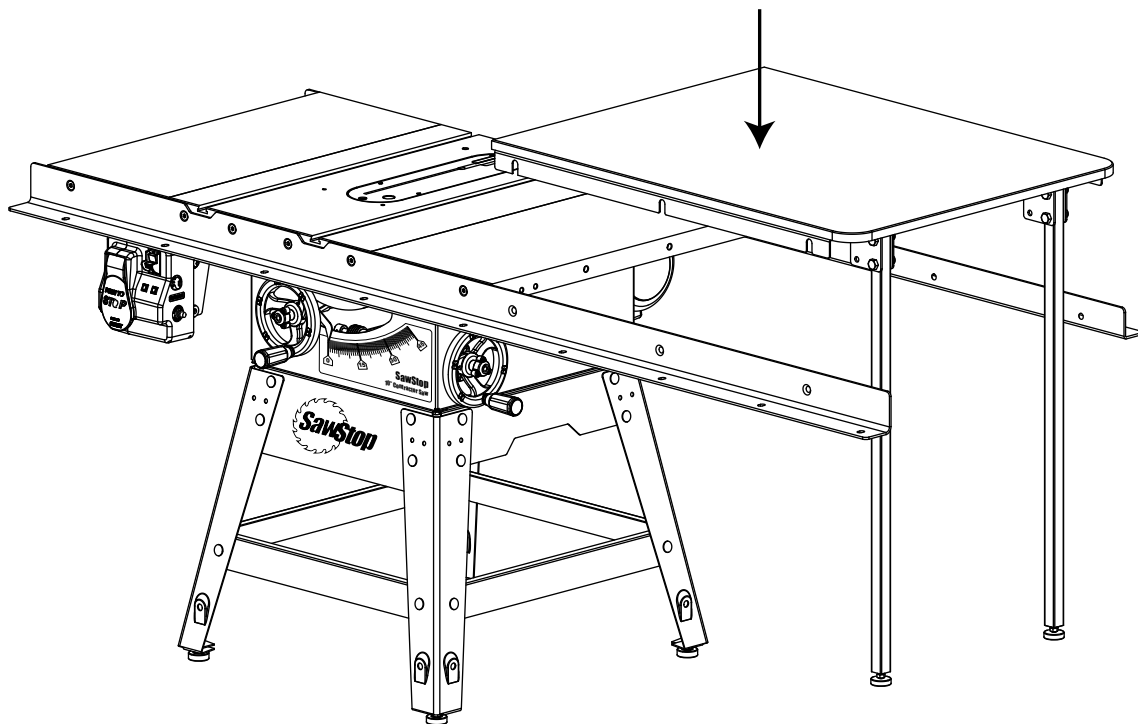


Fig. 12

Installing Your T-Glide Fence System

13. Insert an M8 x 25 countersunk socket head bolt through each remaining hole in the front and rear rails and through the notches in the front and rear edges of the extension table. Place an M8.5 x 23 washer and an M8 lock washer on the back of each bolt and then thread an M8 hex nut on each bolt (see Fig. 13). Hand tighten the nuts; do not fully tighten them.

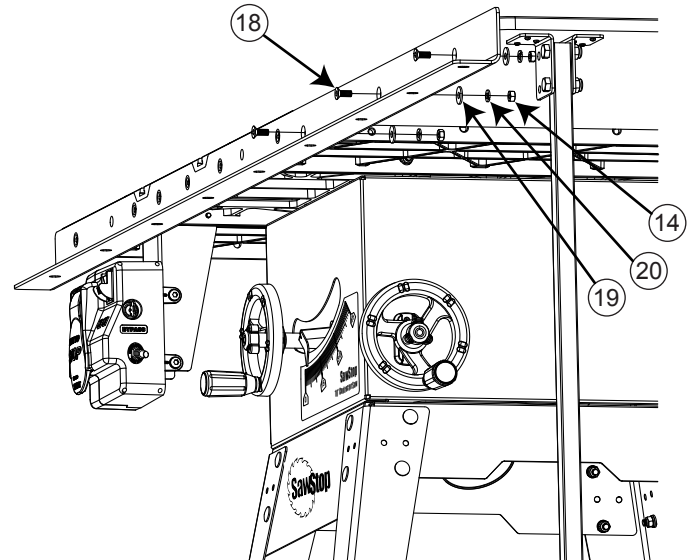


Fig. 13

14. If you loosened the rear rail in step 12, tighten it now. If necessary, level the extension wings before tightening (see step 8 for information about leveling the extension wings). Once the rear rail is tightened, make sure the extension table is flush against the right extension wing and there is no gap between them. Then, use a straight-edge to level the front edge of the extension table to the cast iron table top (see Fig. 14). You may have to pull up or push down on the outer edge of the extension table to level it. Once the front edge of the extension table is level, use a 5 mm hex key and a 13 mm wrench to fully tighten the nuts on the bolts that mount the extension table to the front rail.

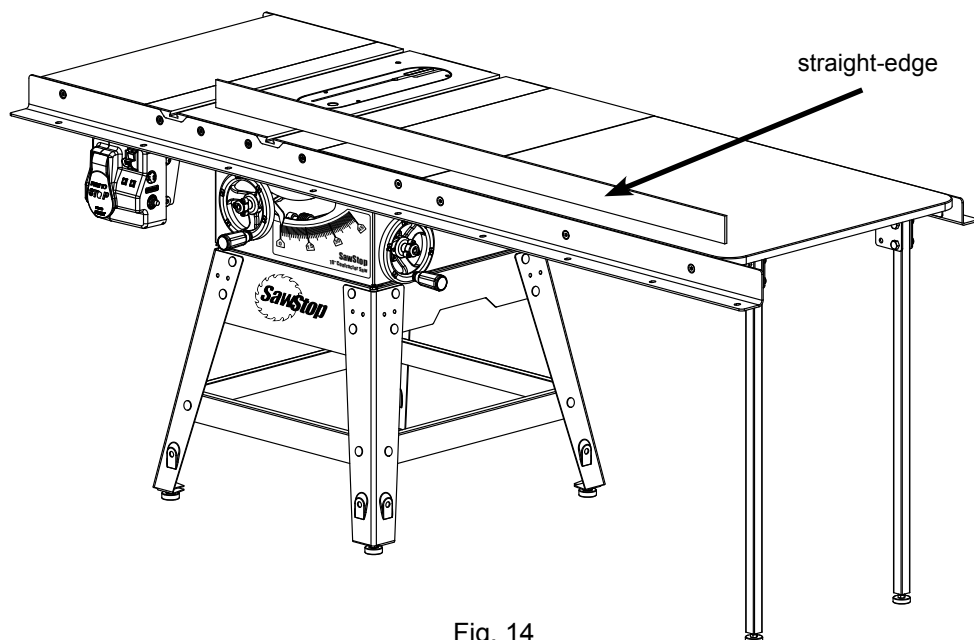


Fig. 14

Installing Your T-Glide Fence System

15. Repeat the process described in the previous step to level the rear edge of the extension table to the cast iron table top (see Fig. 15).

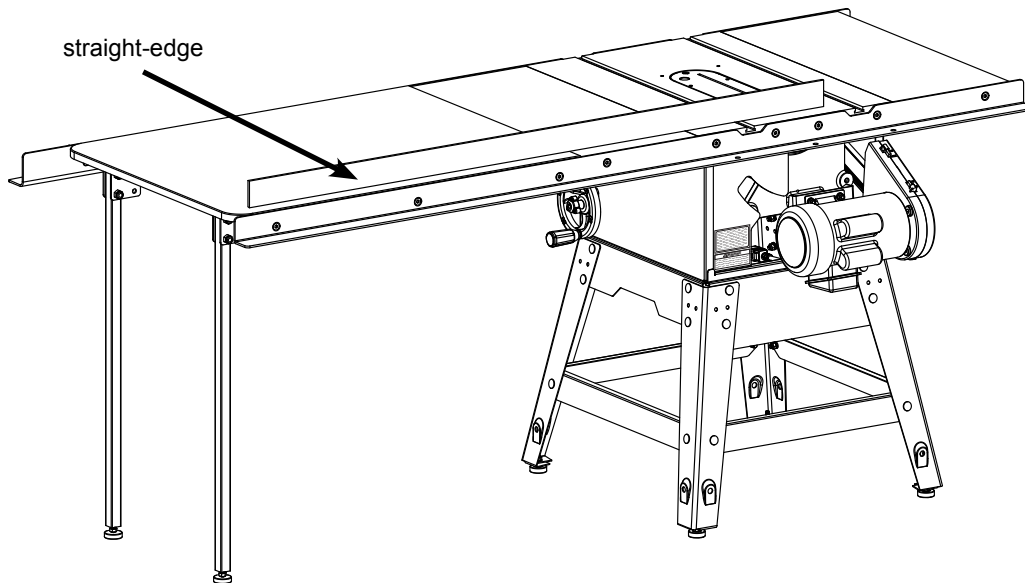


Fig. 15

16. Turn the foot on the bottom of each support leg to adjust its position until it is in solid contact with the ground. Once the foot is in contact with the ground, fully tighten the hex nut against the bottom of the leg using a 13 mm wrench (see Fig. 16).

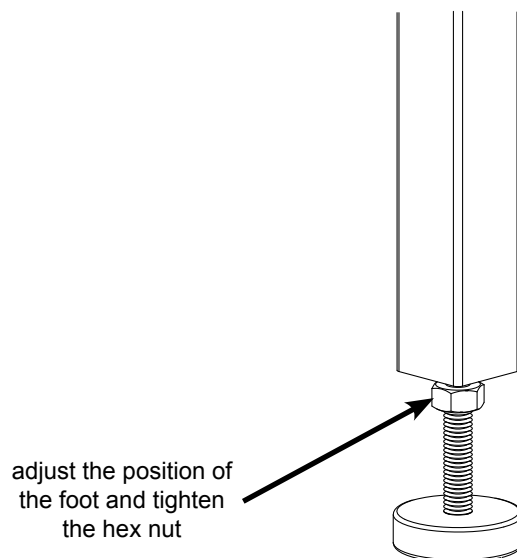


Fig. 16

Installing Your T-Glide Fence System

17. Locate the front tube and the M8 x 16 hex head screws with attached washers from the T-Glide rails hardware pack. Position the tube on the horizontal portion of the front rail with the rulers facing up and the 12 inch ruler on the left side. The powder coated surfaces of the tube and rail can be slick, so be careful that the tube does not fall off the rail. Align the holes in the rail with the holes in the bottom of the tube. Thread the M8 x 16 hex head screws through the rail and into the threaded holes in the bottom of the tube (see Fig. 17). Hand tighten the screws; do not fully tighten them.

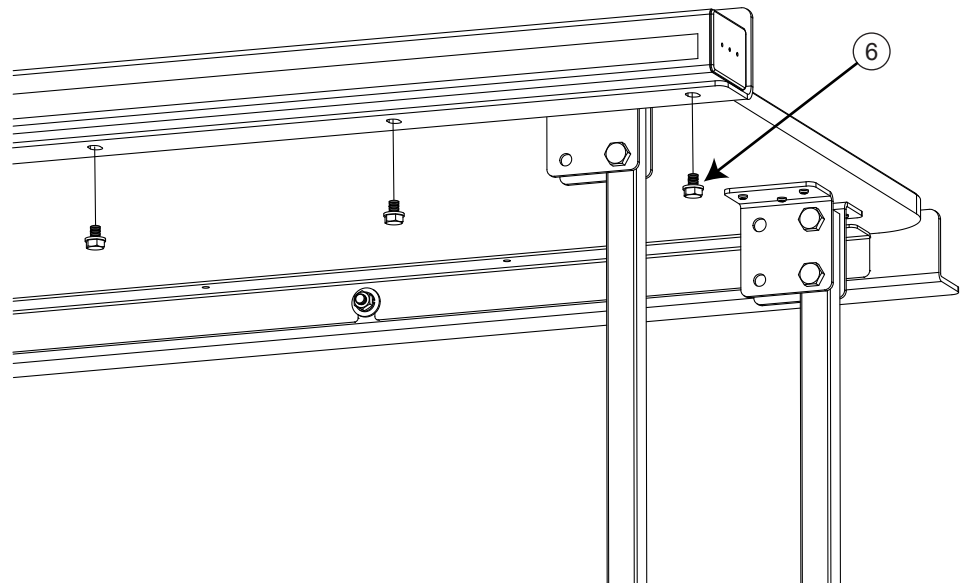
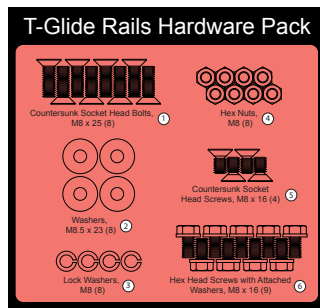


Fig. 17

18. Locate the fence and the red fence handle. Thread the handle into the cam lock on the front of the fence (see Fig. 18).

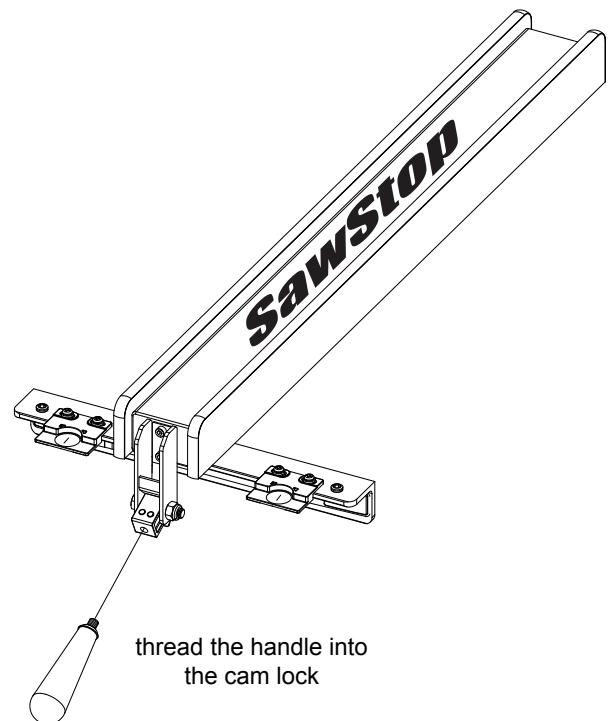


Fig. 18

Installing Your T-Glide Fence System

19. The holes in the bottom of the front rail are oversized to allow you to adjust the position of the tube on the rail. To set the tube in the correct position, first pull the front tube away from the cast-iron table as far as possible. Next, place your fence down on the tube near the left end (see Fig. 19).

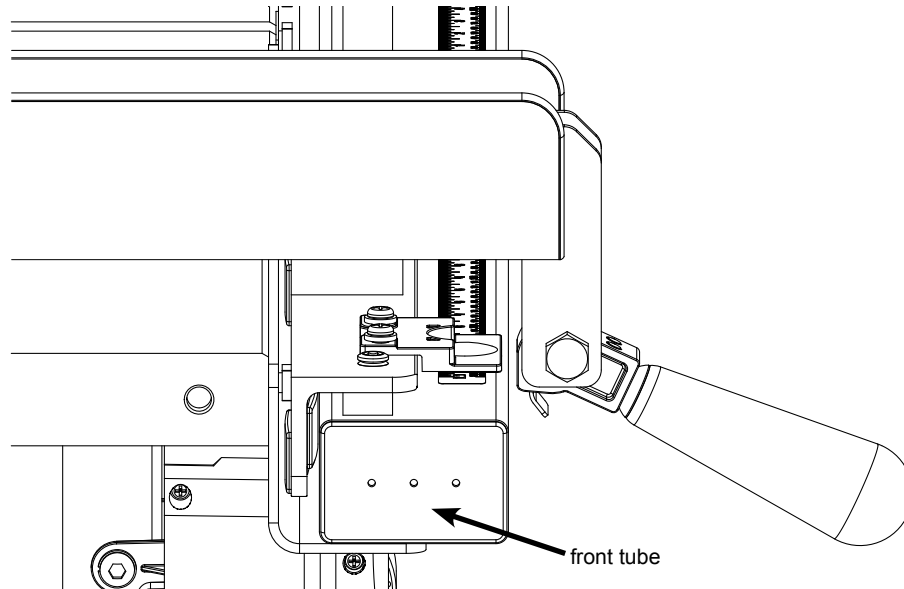


Fig. 19

20. Press down on the fence handle to clamp the fence to the front tube. If the fence does not clamp tightly enough to hold its position against a moderate amount of force, you can increase the clamping pressure by turning both parallelism adjustment screws clockwise using a 5 mm hex key. Those screws are located in the vertical edge of the fence cross-bracket (see Fig. 20). Alternatively, if too much force is required to push the fence handle down to clamp the fence to the front tube, you can reduce the clamping pressure by turning both parallelism adjustment screws counter-clockwise.

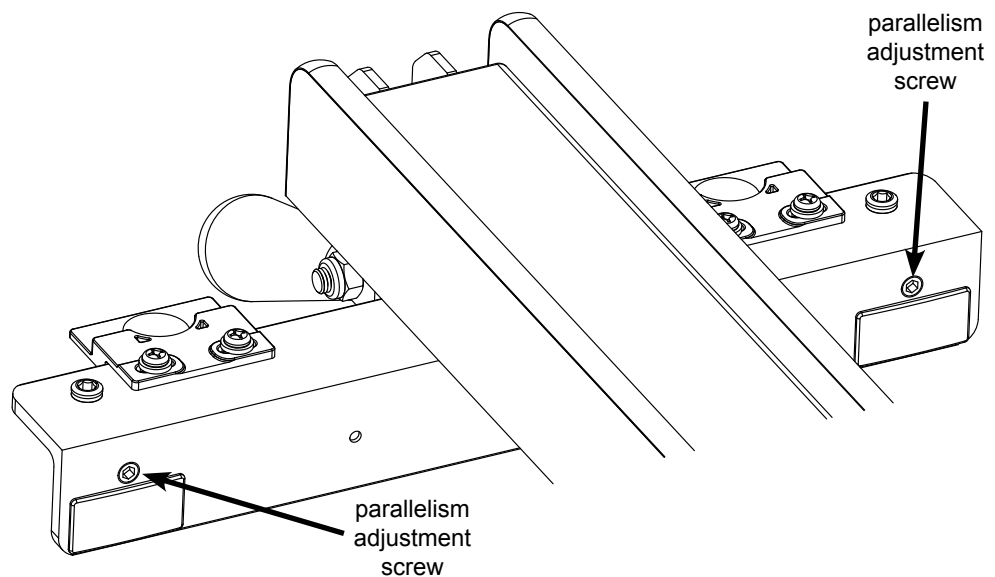


Fig. 20

Installing Your T-Glide Fence System

21. Once the fence is tightly clamped to the front tube, move the left end of the tube back toward the saw until there is only a small gap (approximately 1/16") between the front rail and the rear of the fence (see Fig. 21). Tighten the left-most M8 x 16 hex head screw that holds the tube to the front rail using a 13 mm wrench.

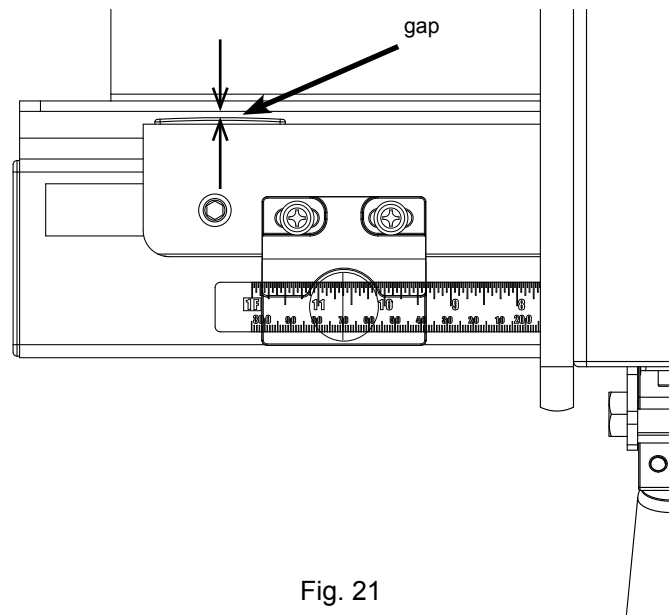


Fig. 21

22. Next, move the fence to the right end of the tube, repeat the above process to position the tube, and tighten the right-most screw (see Fig. 22). Once both ends of the tube are adjusted correctly, tighten the remaining M8 x 16 hex head screws to mount the front tube to the front rail. The fence should now slide smoothly along the front tube without binding and without excessive play.

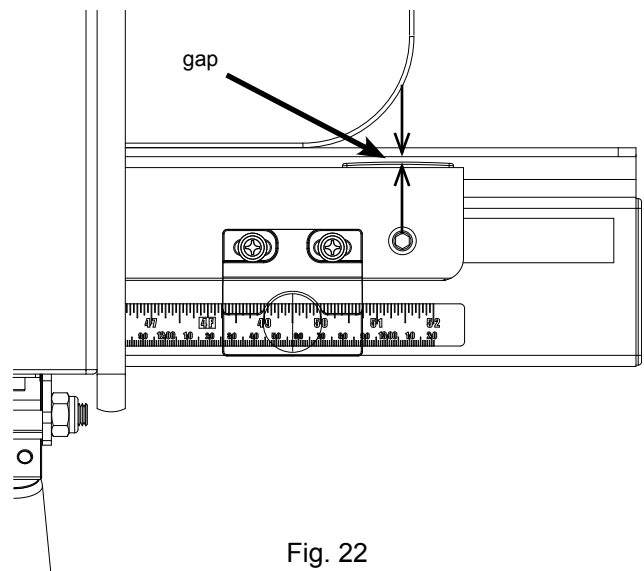


Fig. 22

Congratulations, your fence system is now installed and your saw is ready to use.

Using Your T-Glide Fence System

The rip fence included with your T-Glide Fence System is used to guide material parallel to the blade when you make rip cuts (cuts that are length-wise along the grain of the wood). The fence must always be used when making rip cuts. The fence also allows you to precisely set the width of your rip cuts.

To use the rip fence, begin by placing it on the table so that the fence glide bracket is resting on the upper rear edge of the front tube. You can use the fence on either the left or right side of the blade for non-bevel cuts. If you plan to make bevel cuts, use the fence only on the right side to prevent the blade from possibly contacting the fence. After placing the fence on the rails, lift the red handle up to the unlocked position (see Fig. 23) and slide the fence to the left or right until the distance between the blade and the fence is approximately equal to the desired width of cut.



Fig. 23

The precise width of cut is shown by the indicator lenses on the front of the fence (see Fig. 24). The lens on the left indicates the width of cut when the fence is on the left side of the blade. The lens on the right indicates the width of cut when the fence is on the right side of the blade. Each indicator lens is positioned above a ruler on the front tube. Each lens has a red cursor line that indicates the precise width of cut. To read the width of cut, look down at the cursor line. The mark on the ruler that is directly below the cursor line is the width of cut.

Adjust the position of the fence until the cursor is directly over the desired width of the cut. Once the fence is in the correct position, push the red locking handle down to the locked position. The fence is now locked in place and ready for use.



Fig. 24

Adjusting Your T-Glide Fence System

Although the fence is factory-adjusted to nominal settings, it is usually necessary to make final adjustments once your rails and extension table have been installed on the saw.

The first step is to align the face plates to be parallel to the miter slots. Begin by sliding the fence along the front tube until the left face plate is flush with the right edge of the right miter slot. Lock the fence handle and check that the face plate is flush with the miter slot edge along its whole length (see Fig. 25). You can check this either visually or by running your finger along the face plate and miter slot edge. If there is any misalignment, you can correct it by turning one of the two parallelism adjustment screws in the vertical edge of the fence cross-bracket (see Fig. 20).



Fig. 25

The next step is to adjust the face plates to be perpendicular to the table top. The angle between the face plates and the table is set by the two plastic leveling screws in the horizontal edge of the cross-bracket (see Fig. 26).

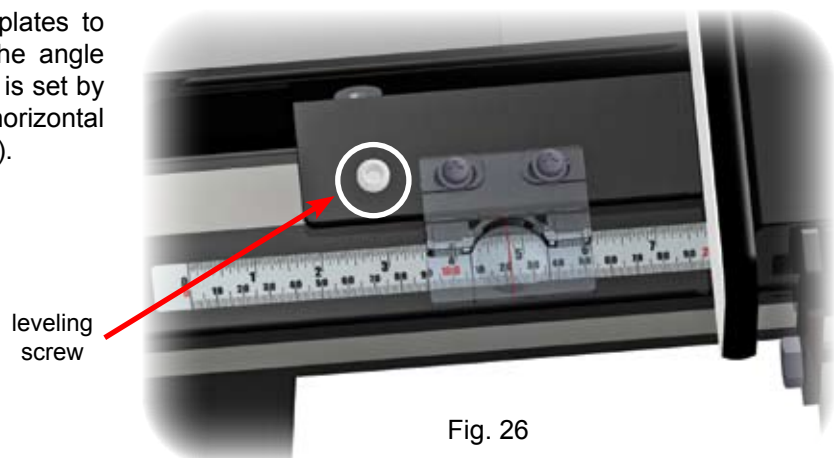


Fig. 26

Place a combination square on the table top and against the left face plate (see Fig. 27). Use a 6 mm hex key to adjust the leveling screws as necessary until the face plate is parallel to the vertical edge of the combination square.



Fig. 27

Adjusting Your T-Glide Fence System

If necessary, you can adjust both of the plastic leveling screws to ensure the position indicator lenses are close, but do not touch the front tube or rulers.

The last step is to set the spacing between the bottom of each face plate and the table. The face plates are held in place by a series of screws threaded into nuts embedded in the face plates. The heads of the screws fit into key-hole slots in the sides of the fence (see Fig. 28).

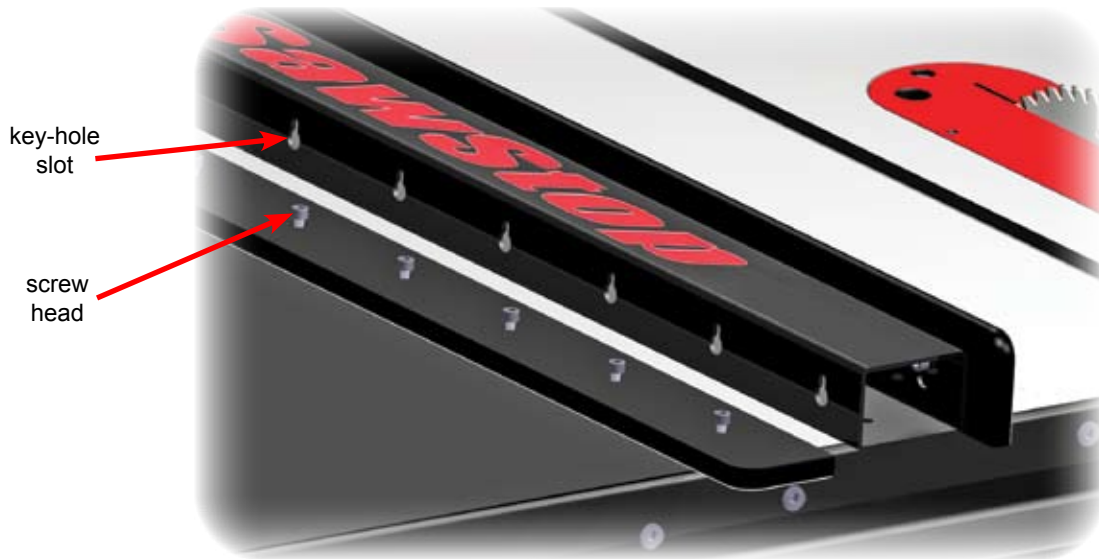


Fig. 28

It is usually possible to adjust the position of the face plates by lightly tapping the top or bottom edge of the face plates with a plastic or wooden mallet. However, if the face plates do not move when tapped, you can loosen the mounting screws as described below to adjust the face plates.

If the right face plate needs to be adjusted, you must first remove the left face plate. Begin by laying the fence on the table with the left face plate facing down. You can access the screws for the left face plate through the slots on the bottom of the fence. Insert a ball-end hex wrench through the slot at the end of the fence and into the screw head (see Fig. 29). Loosen the screw but do not unthread it completely. Continue this process with each slot/screw pair. It may be helpful to shine a flashlight down the end of the tube to illuminate the screw heads. Once all the screws are loosened, push the face plate downward to align the screw heads with the large portion of the key-hole slots, and then pull the face plate off the fence.

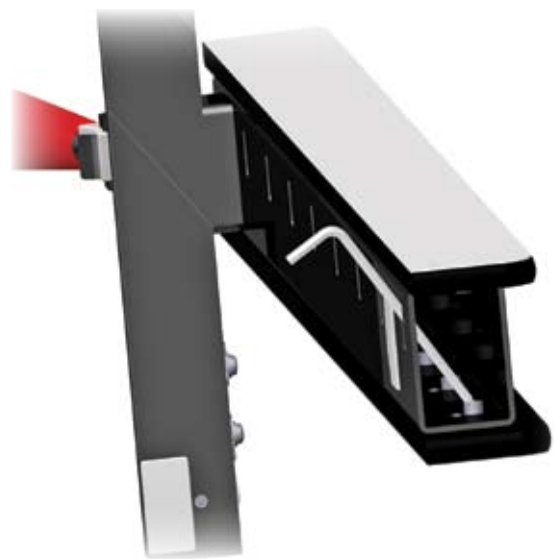


Fig. 29

Adjusting Your T-Glide Fence System

Once the left face plate has been removed, you can access the screws for the right face plate through the key-hole slots for the left face plate (see Fig. 30). Loosen each screw in the right face plate just enough to allow the face plate to slide against the fence, but tight enough so the face plate does not move freely. Install the fence on the front tube and position the right face plate as desired, making sure to leave at least a small gap between the bottom of the face plate and the table so the face plate does not drag on the table.

Next, carefully lift the fence off the front tube and place it on the table with the right face plate facing down. Make sure not to move the face plate from the position you set it. If necessary you can clamp the face plate to the fence to keep the face plate from moving. Tighten each screw to lock the right face plate in position. **Make sure not to over-tighten these screws as it that may cause a slight concavity in the surface of the face plate near the screw.**

Replace the left face plate onto the fence and install the fence on the front tube. Adjust the position of the left face plate as desired. Lift the fence off the tube and set it on the table with the left face plate down, making sure the position of the face plate doesn't move. Tighten the screws to lock the left face plate onto the fence.

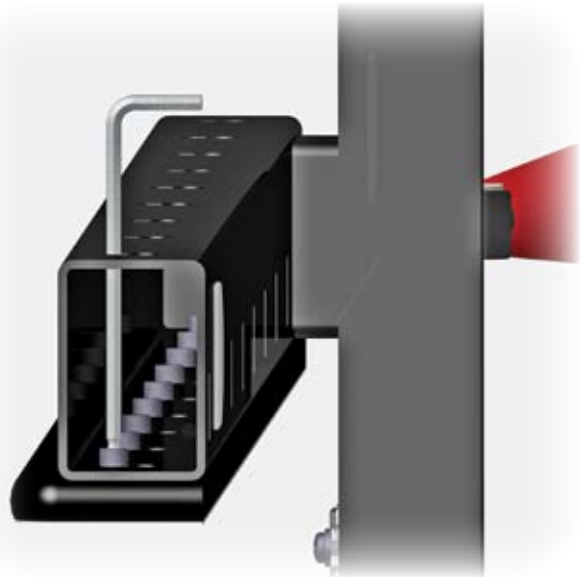


Fig. 30

If necessary, you can adjust the position of the indicator lenses on the front of the fence. To verify the position of each indicator lens, clamp the fence to the front tube and use a ruler to measure the distance from the blade to the fence plate and compare it to the measurement shown on the proper indicator lens. If adjustment is necessary, loosen the two Phillips screws shown in Fig. 31 and slide the indicator lens to right or left until the cursor is directly over the correct measurement. Tighten the screws to lock the position of the indicator lens. Your fence is now fully adjusted and ready to use.

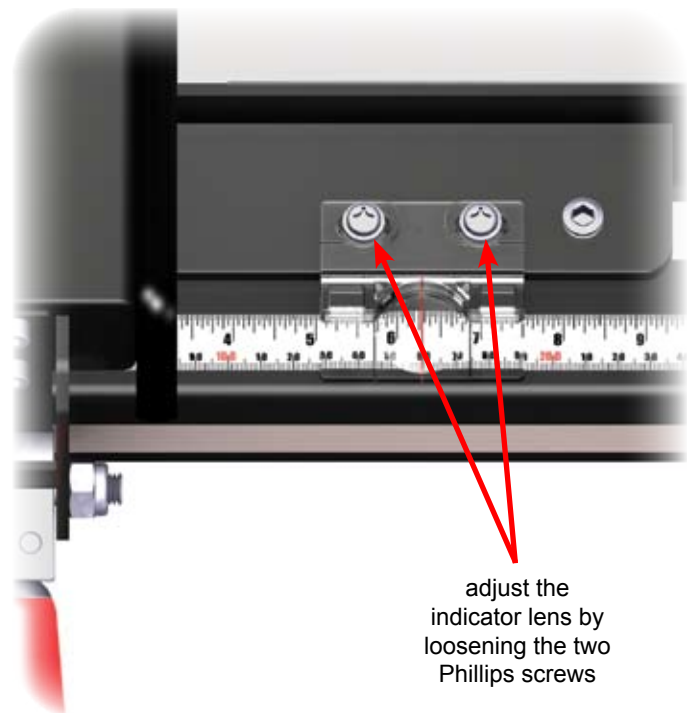
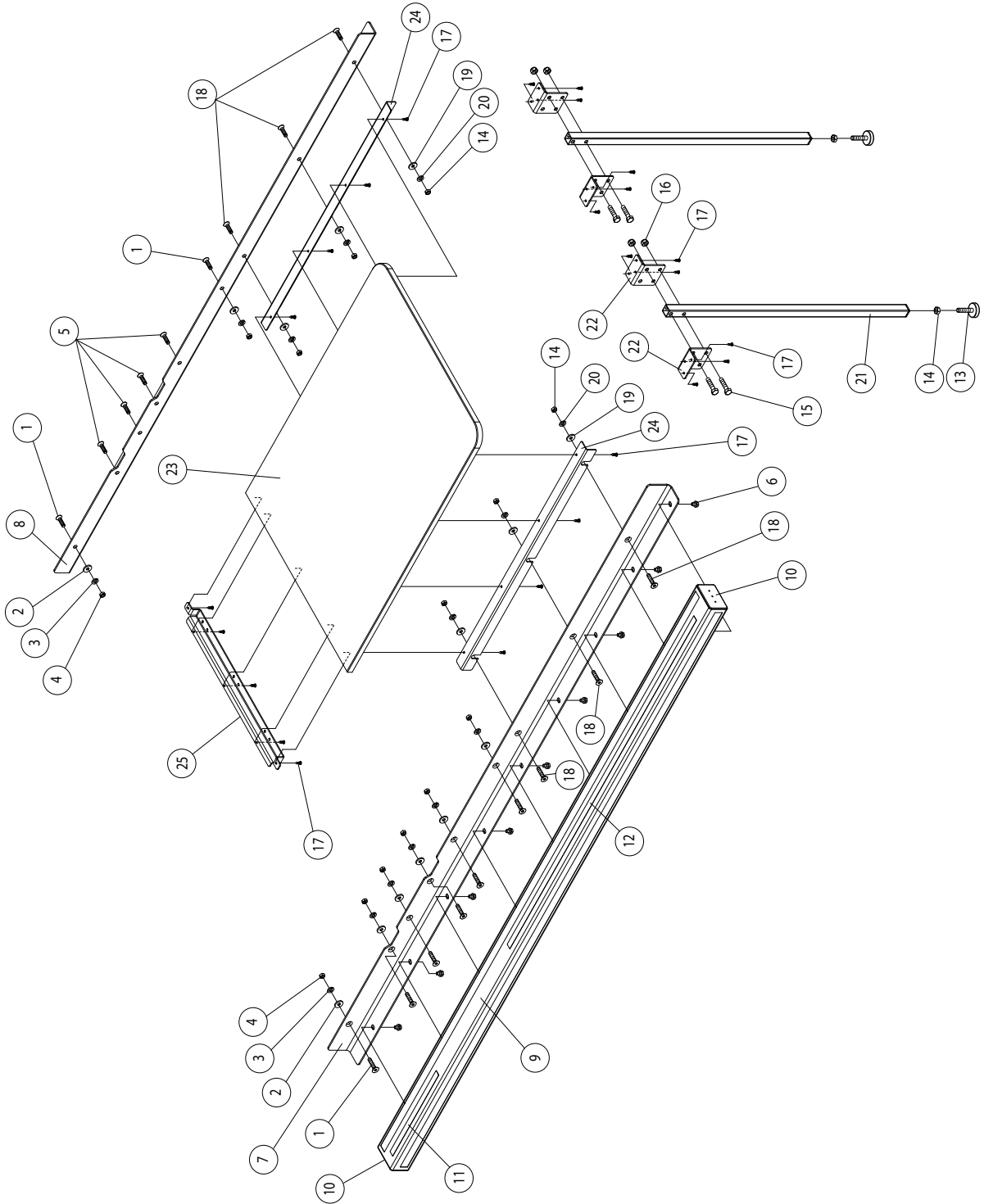


Fig. 31

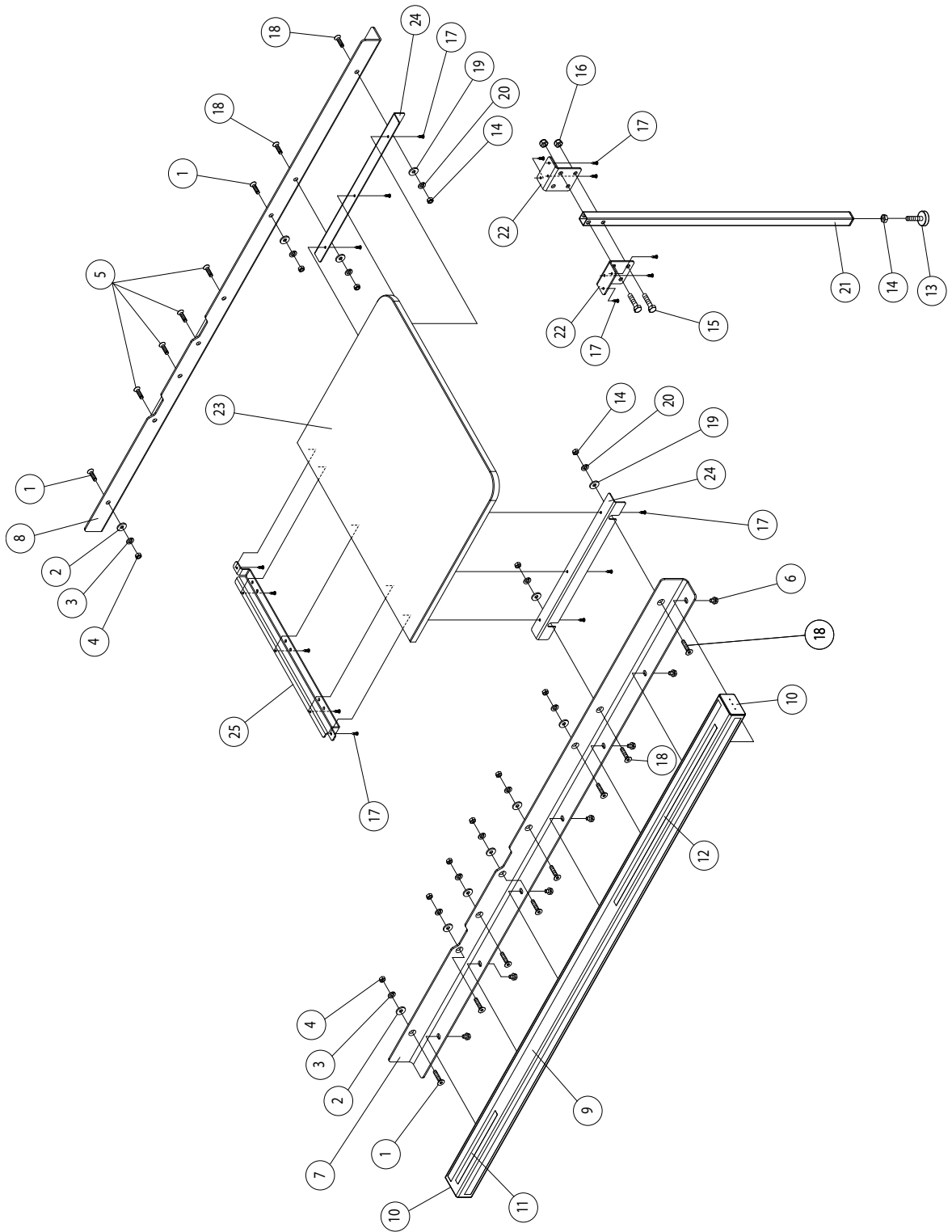
Rails and Extension Table Exploded View for 52" Fence System



Rails and Extension Table Parts List for 52" Fence System

No.	Description	Part No.	Qty.
	Professional 52" T-Glide Fence Rails (items 1-12)	TGP-R52A	1
1	M8x1.25x25 Countersunk Socket Head Bolt	TGP-07-001	8
2	M8.5x23x2.0 Washer	TGP-07-002	8
3	M8.2x15.4 Lock Washer	TGP-07-003	8
4	M8x1.25 Hex Nut	TGP-07-004	8
5	M8x1.25x16 Countersunk Socket Head Screw	TGP-07-005	4
6	M8x1.25x16 Hex Head Screw with Attached Washer	TGP-07-006	9
7	52" Front Rail	TGP-07-007	1
8	52" Rear Rail	TGP-07-008	1
9	52" Front Tube	TGP-07-009	1
10	Fence Tube Endcap	TGP-07-010	2
11	12" Ruler	TGP-07-011	1
12	52" Ruler	TGP-07-012	1
	Professional 52" T-Glide Extension Table (items 13-25)	TGP-T52A	1
13	Foot	TGP-07-013	2
14	M8x1.25 Hex Nut	TGP-07-014	8
15	M10x1.5x45 Hex Head Bolt	TGP-07-015	4
16	M10x1.5 Lock Nut	TGP-07-016	4
17	M4x1.59x16 Phillips Head Screws	TGP-07-017	25
18	M8x1.25x25 Countersunk Socket Head Bolt	TGP-07-018	6
19	M8.5x23x2.0 Washer	TGP-07-019	6
20	M8.2x15.4 Lock Washer	TGP-07-020	6
21	Support Leg	TGP-07-021	2
22	Angle Bracket	TGP-07-022	4
23	52" Table	TGP-07-023	1
24	52" Table Mounting Bracket	TGP-07-024	2
25	Support Bracket	TGP-08-001	1
	Accessories		
N/A	T-Glide Fence System Professional Series Owner's Manual	TGP-07-025	1
N/A	Installation Instructions Poster	TGP-07-026	1
N/A	T-Glide Rails Hardware Pack	TGP-07-027	1
N/A	T-Glide 52" Table Hardware Pack	TGP-07-028	1

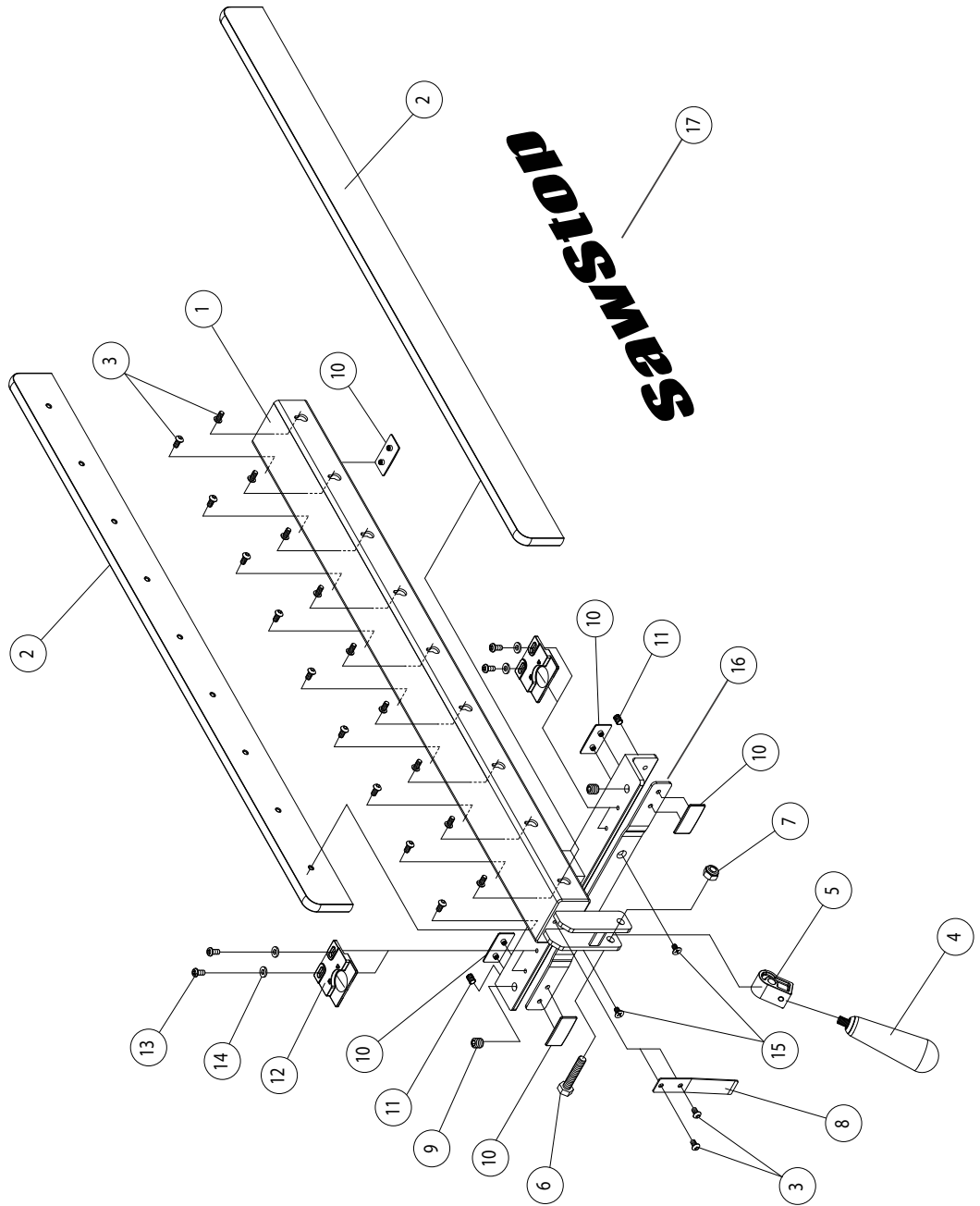
Rails and Extension Table Exploded View for 36" Fence System



Rails and Extension Table Parts List for 36" Fence System

No.	Description	Part No.	Qty.
	Professional 36" T-Glide Fence Rails (items 1-12)	TGP-R36A	1
1	M8x1.25x25 Countersunk Socket Head Bolt	TGP-07-001	8
2	M8.5x23x2.0 Washer	TGP-07-002	8
3	M8.2x15.4 Lock Washer	TGP-07-003	8
4	M8x1.25 Hex Nut	TGP-07-004	8
5	M8x1.25x16 Countersunk Socket Head Screw	TGP-07-005	4
6	M8x1.25x16 Hex Head Screw (w/ washer)	TGP-07-006	7
7	36" Front Rail	TGP-07-029	1
8	36" Rear Rail	TGP-07-030	1
9	36" Front Tube	TGP-07-031	1
10	Fence Tube Endcap	TGP-07-010	2
11	12" Ruler	TGP-07-011	1
12	36" Ruler	TGP-07-032	1
	Professional 36" T-Glide Extension Table (items 13-25)	TGP-T36A	1
13	Foot	TGP-07-013	1
14	M8x1.25 Hex Nut	TGP-07-014	5
15	M10x1.5x45 Hex Head Bolt	TGP-07-015	2
16	M10x1.5 Lock Nut	TGP-07-016	2
17	M4x1.59x16 Phillips Head Screws	TGP-07-017	17
18	M8x1.25x25 Countersunk Socket Head Bolt	TGP-07-018	4
19	M8.5x23x2.0 Washer	TGP-07-019	4
20	M8.2x15.4 Lock Washer	TGP-07-020	4
21	Support Leg	TGP-07-021	1
22	Angle Bracket	TGP-07-022	2
23	36" Table	TGP-07-033	1
24	36" Table Mounting Bracket	TGP-07-034	2
25	Support Bracket	TGP-08-001	1
	Accessories		
N/A	T-Glide Fence System Professional Series Owner's Manual	TGP-07-025	1
N/A	Installation Instructions Poster	TGP-07-026	1
N/A	T-Glide Rails Hardware Pack	TGP-07-027	1
N/A	T-Glide 36" Table Hardware Pack	TGP-07-035	1

T-Glide Fence Exploded View



T-Glide Fence Parts List

No.	Description	Part No.	Qty.
	Professional T-Glide Rip Fence Assembly (items 1-17)	TGP-FA	1
1	Fence Tube	TGP-07-036	1
2	Face Plate	TGP-07-037	2
3	M6x1.0x12 Socket Head Screw	TGP-07-038	20
4	Handle	TGP-07-039	1
5	Cam Lock	TGP-07-040	1
6	M10x1.5x50 Hex Head Bolt	TGP-07-041	1
7	M10x1.5 Lock Nut	TGP-07-042	1
8	Flex Plate	TGP-07-043	1
9	Leveling Adjustment Screw M12x1.75	TGP-07-044	2
10	Glide Plate	TGP-07-045	5
11	Parallelism Adjustment Screw M10x1.5x8	TGP-07-046	2
12	Position Indicator Lens	TGP-07-047	2
13	M6x1.0x10 Button Head Phillips Screw	TGP-07-048	4
14	M6.3x13x2 Washer	TGP-07-049	4
15	M6x1.0x10 Pan Head Screw	TGP-07-050	2
16	Flex Arm	TGP-07-051	1
17	SawStop Label	TGP-07-052	1

SawStop, LLC
9564 S.W. Tualatin Road
Tualatin, Oregon 97062
www.sawstop.com

Main Phone - (503) 570-3200
Service - (503) 682-6222
Fax - (503) 570-3303
Email: info@sawstop.com

Updates of this manual may be available at www.sawstop.com.

Copyright SawStop, LLC. All Rights Reserved.
SawStop is a registered trademark and T-Glide is a trademark of SawStop, LLC.

August 2008