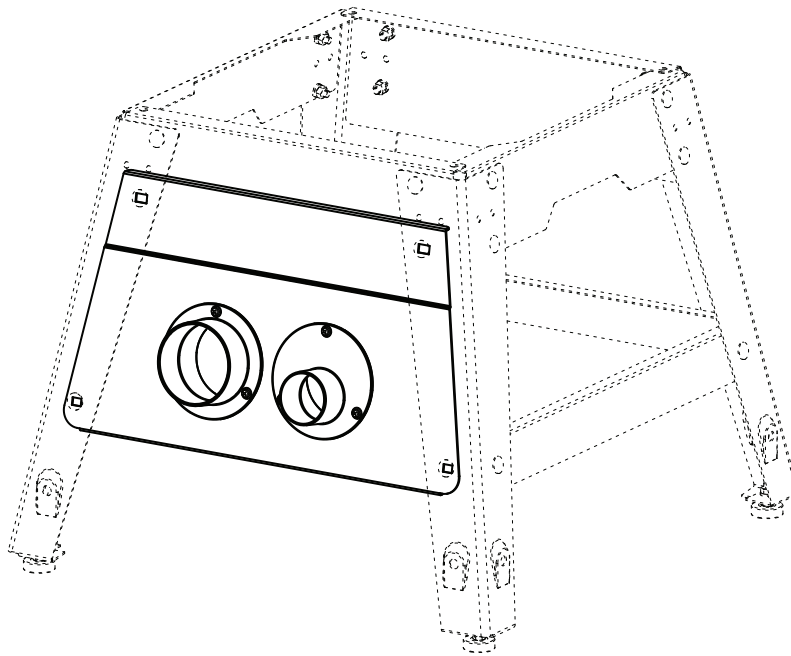


# *SawStop*<sup>®</sup>

## **DUST COLLECTION PANEL FOR THE 10" CONTRACTOR SAW**

### **INSTALLATION INSTRUCTIONS**

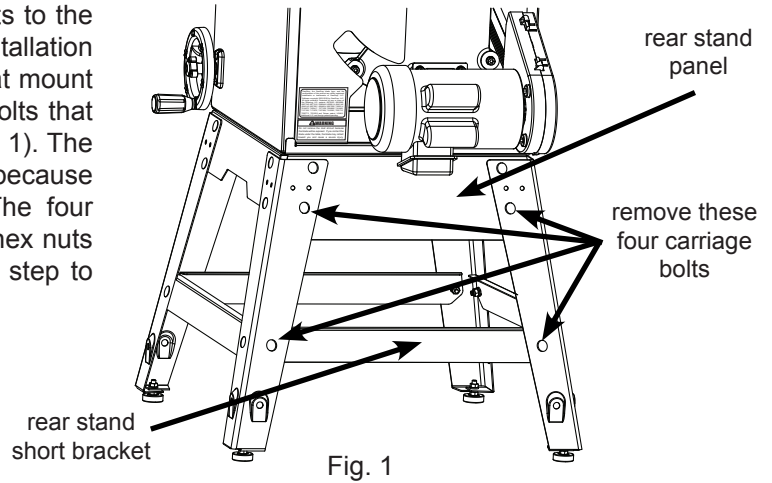


SawStop, LLC  
9564 S.W. Tualatin Road  
Tualatin, Oregon 97062  
[www.sawstop.com](http://www.sawstop.com)

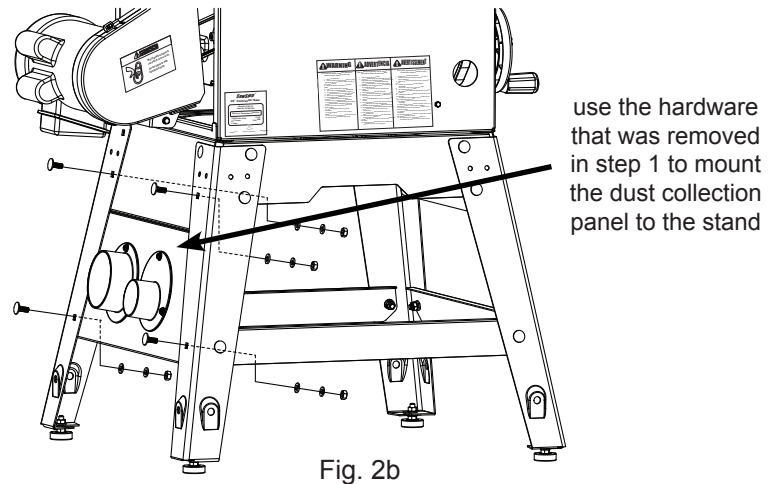
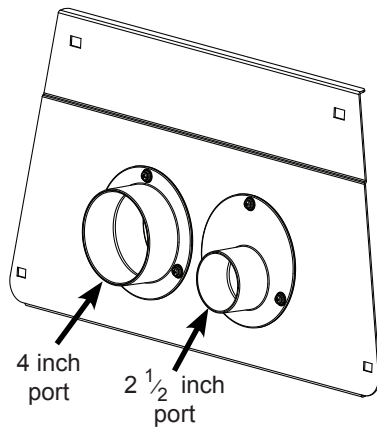
Main Phone - (503) 570-3200  
Service - (503) 682-6222  
Fax - (503) 570-3303  
Email: [info@sawstop.com](mailto:info@sawstop.com)

# Installing Your Dust Collection Panel

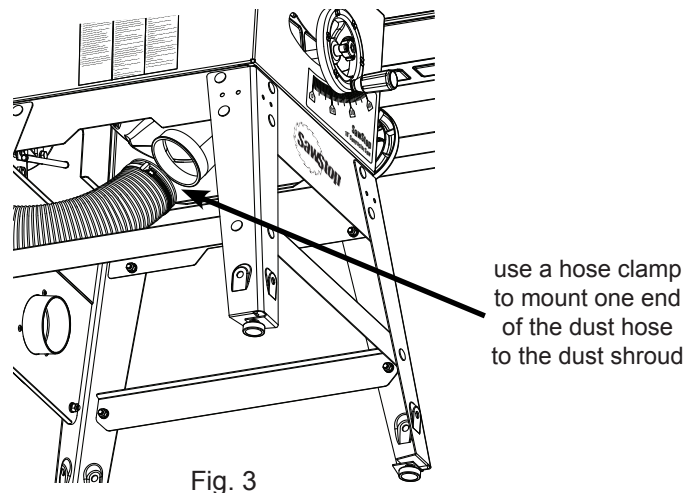
1. The SawStop® Dust Collection Panel mounts to the rear of the contractor saw stand. Begin the installation by removing the two lower carriage bolts that mount the rear stand panel and the two carriage bolts that mount the rear stand short bracket (see Fig. 1). The rear stand short bracket can be discarded because the dust collection panel will replace it. The four carriage bolts, washers, lock washers, and hex nuts that were removed will be used in the next step to secure the dust collection panel to the stand.



2. The dust collection panel comes with a 4 inch and a 2 1/2 inch dust port already installed (see Fig. 2a). The panel mounts to the rear face of the stand behind the rear stand panel and the stand legs. Align the four mounting holes in the panel with the four holes in the stand and use the hardware that was removed in step 1 to mount the panel to the stand as shown in Fig. 2b.



3. Place a hose clamp over one end of the dust hose and then slide the end of the dust hose over the 4 inch port on the bottom of the dust shroud (see Fig. 3). Tighten the thumb screw on the hose clamp to secure the dust hose to the dust shroud.



# Installing Your Dust Collection Panel

- Place the other hose clamp over the opposite end of the dust hose and then slide the end of the dust hose over the backside of either the 4 inch dust port or the 2 1/2 inch dust port on the dust collection panel (see Fig. 4). If you will be using a dust collection system that uses a 4 inch hose, then connect the dust hose to the backside of the 4 inch port on the panel. If you will be using a portable vacuum that uses a 2 1/2 inch hose, then connect the dust hose to the backside of the 2 1/2 inch port on the panel. Tighten the thumb screw on the hose clamp to secure the dust hose to the panel.

**Congratulations, your dust collection panel is now installed and ready for use.**

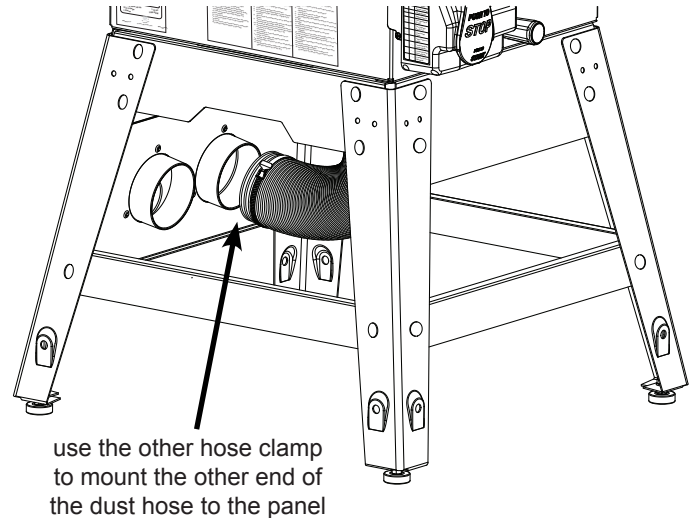


Fig. 4

# Using Your Dust Collection Panel

If you will be using a dust collection system that uses a 4 inch hose, then attach the hose from your dust collector to the outside of the 4 inch dust port on the left side of the dust collection panel (see Fig. 5). The 4 inch dust port is designed to fit standard 4 inch quick connect fittings. If you are not using a quick connect fitting, then use a hose clamp to secure the hose from the dust collector to the dust port.

If you will be using a portable vacuum that uses a 2 1/2 inch hose, then attach the hose from your portable vacuum to the inside of the 2 1/2 inch dust port on the right side of the dust collection panel (see Fig. 6).

If you power your dust collection system/portable vacuum and your contractor saw from the same electrical circuit, ensure the circuit and breaker have sufficient capacity for both machines.

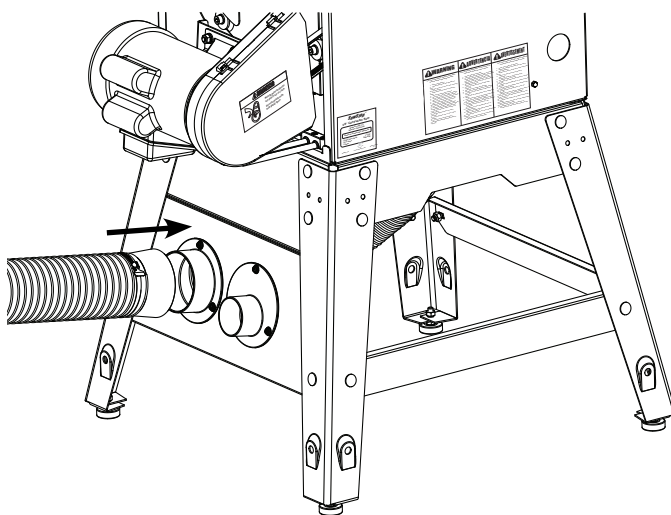


Fig. 5

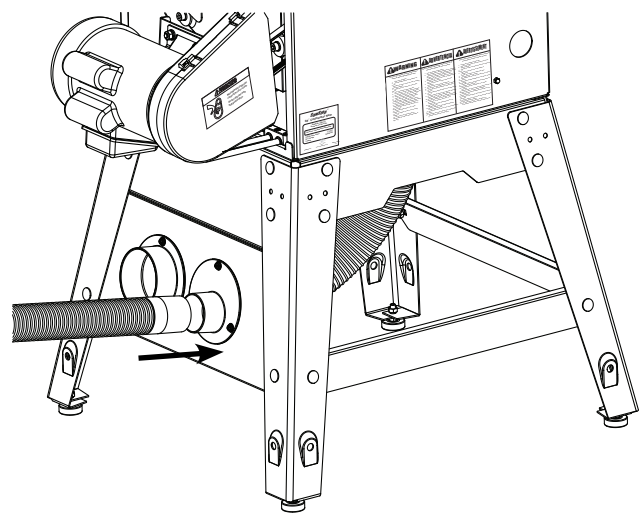
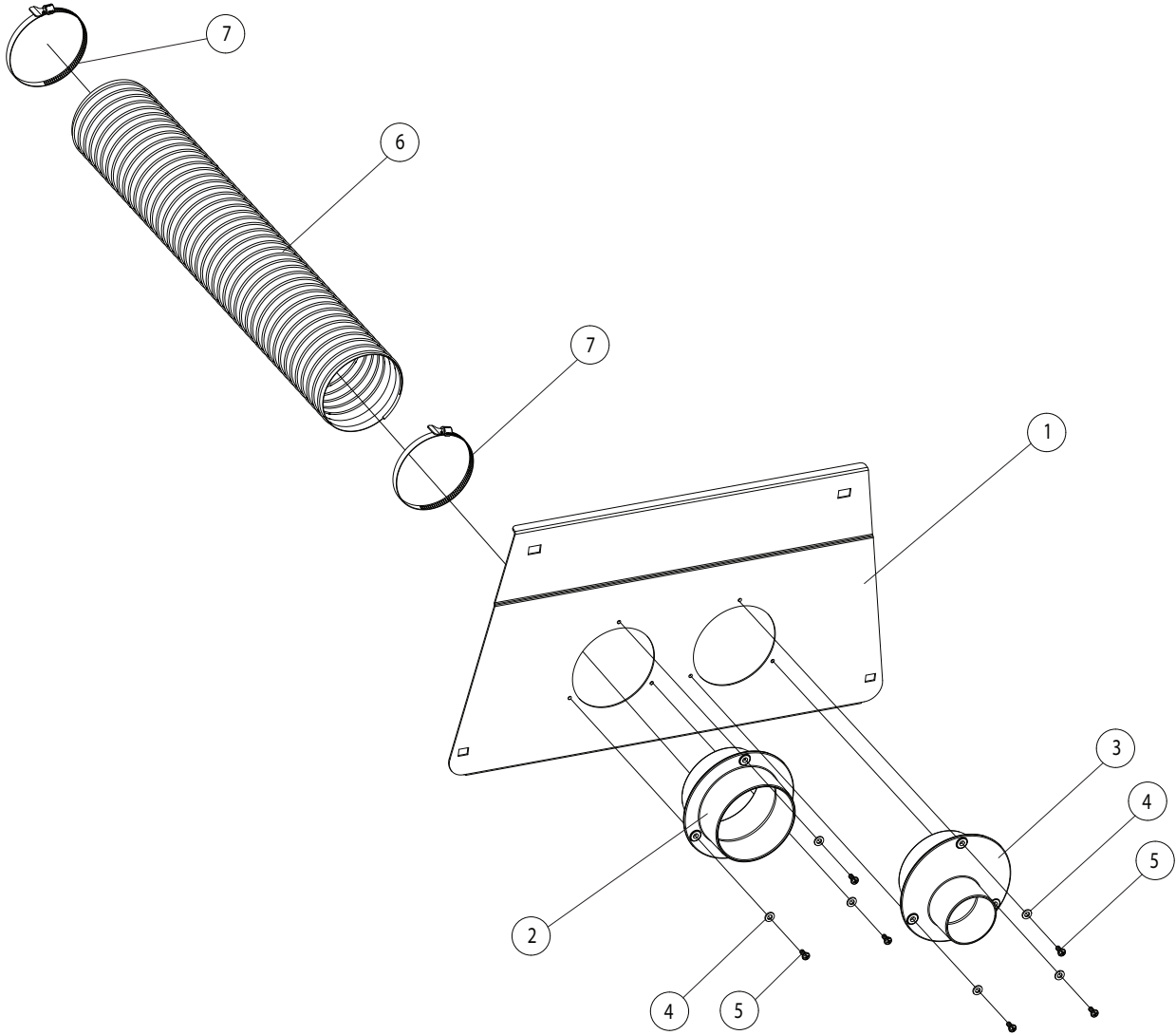


Fig. 6

# **Dust Collection Panel Exploded View**



## **Dust Collection Panel Parts List**

No.	Description	Part No.	Qty.
	Dust Collection Panel Assembly (includes items 1-7)	CNS-DCP	1
1	Dust Collection Panel	CNS-DCP-001	1
2	4 Inch Dust Port	CNS-DCP-002	1
3	2 1/2 Inch Dust Port	CNS-DCP-003	1
4	M5.2 x 10 Washer	CNS-DCP-004	6
5	M5 x 10 Phillips Head Screw	CNS-DCP-005	6
6	Dust Hose	CNS-DCP-006	1
7	Thumb Screw Hose Clamp	CNS-DCP-007	2
N/A	Installation Instructions	CNS-DCP-008	1

Copyright SawStop, LLC. All Rights Reserved.  
 SawStop is a registered trademark of SawStop, LLC.  
 Updates of these instructions may be available at [www.sawstop.com](http://www.sawstop.com).