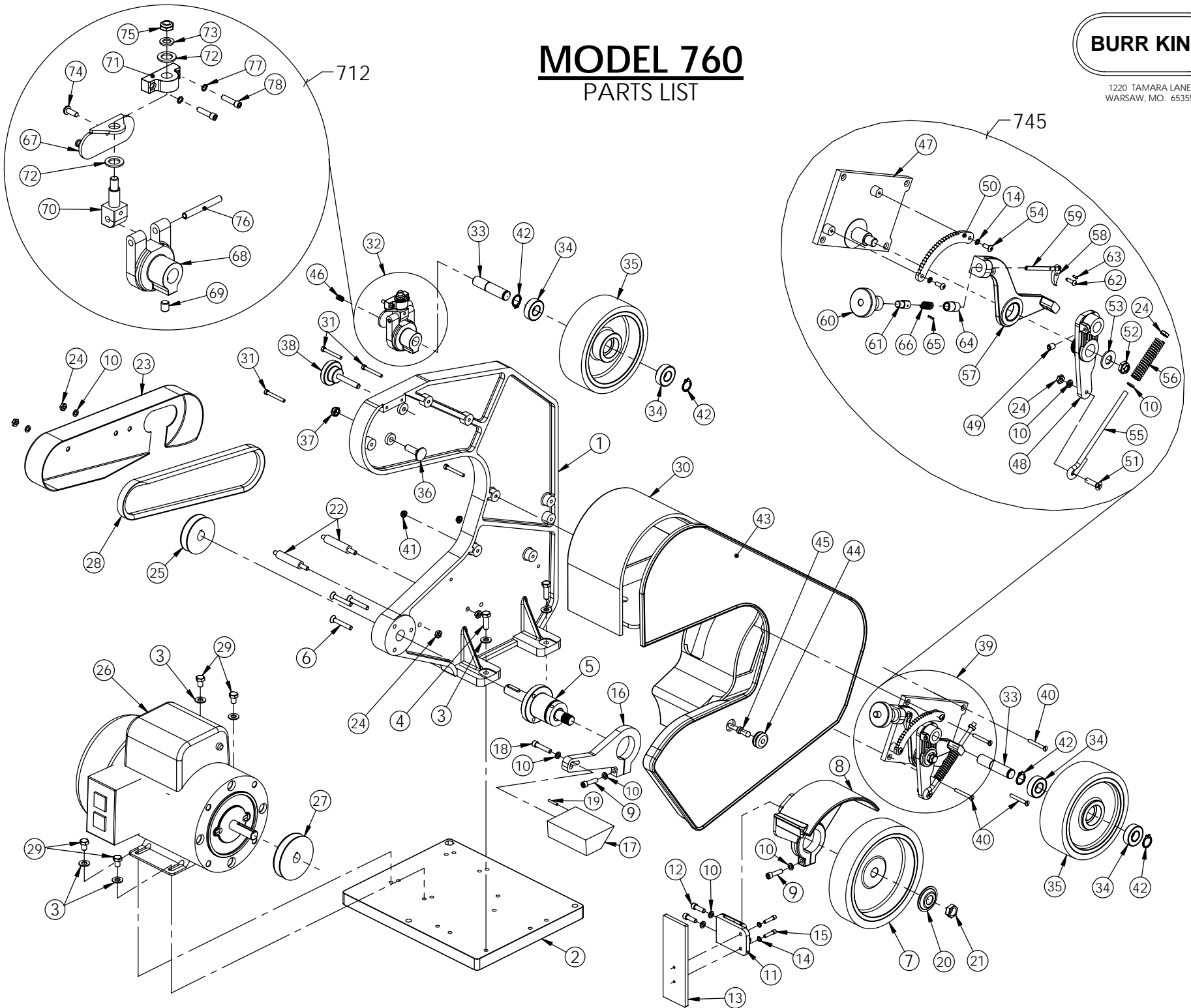


BURR KING

1220 TAMARA LANE
WARSAW, MO. 65355

MODEL 760

PARTS LIST



MODEL 760

PARTS LIST



1220 TAMARA LANE
WARSAW, MO. 65355

MAIN BODY LIST

ITEM #	PART #	DESCRIPTION
1	700	FRAME, MAIN
2	731	BASE, MACHINE
3	4	WASHER, 5/16 SAE ZINC PLTD
4	1	BOLT, 5/16-18x1 1/2 HH, GRD 5, PLTD
5	701	BEARING, CONTACT WHEEL ASSY
6	6	1/4-20 x 1 1/2 FH SOC
7	702	WHEEL, CONTACT
8	703-3	GUARD, CONTACT WHEEL
9	30	1/4-20x1 SHCS
10	5	WASHER, 1/4 AN
11	704B	BRACKET, PLATEN
12	209	SCREW, 1/4-20 X 3/4 ALLEN HEAD
13	704A	PLATEN
14	15	WASHER, 5/16 LOCK, SPLIT
15	13	SCREW, 10-24 x 3/4, SOC, HD, CAP
16	705-1	ARM, WORK SUPPORT
17	706-1	WORKREST
18	31	1/4-20x1 1/4 SHCS
19	6-0014	PIN, 1/8 X 3/4, ROLL PLTED
20	726	WASHER, SPRING FLANGE
21	727	NUT, 5/8-18 RH, JAM, BRT PLT
22	728A	STANDOFF, GUARD
23	728	GUARD, V-BELT, INVERT
24	3	NUT, 1/4-20 JAM, PLTD
25	725	PULLEY, 2 1/2
26	MOTOR	MOTOR
27	730	PULLEY, 3
28	729	BELT, V DRIVE
29	2	BOLT, 5/16-18x1 1/2 HEX HEAD
30	742A-1	GUARD, SAFETY
31	8	SCREW, 10-24 x 1-1/2, BUTTON
32	712	TRACKING ASSY, UPPER IDLER
33	707C	SHAFT, BEARING
34	701B	BEARING 5/8 x 1 3/8
35	707EX	WHEEL, IDLER
36	1-0037	BOLT, 3/8-16 x 1-1/4, CARRAGE
37	4-0005	NUT, 3/8-16, JAM, ELASTIC, PLTD
38	711	KNOB ASSY, TRACKING
39	745	BELT TENSIONING ASSEMBLY
40	7	SCREW, 10-24 x 1 1/2 FLAT HD
41	14	NUT, 10-24, KEP
42	701F	WHEEL, IDLER CIR-CLIP
43	742B-1	DOOR, SAFETY GUARD
44	742H	GROMMET, SAFETY GUARD DOOR
45	742L	LATCH, SAFETY GUARD DOOR
46	338-2	SPRING, TRACKING

ITEM 39 LIST - 745

ITEM #	PART #	DESCRIPTION
47	734	BASE PLATE
48	735	SUPPORT, REAR WHL
49	25	SCREW, SET, 5/16-18 X 3/8, ALLEN
50	736	RACHET
51	34	SCREW, 1/4-20 X 1, FH PHILLIPS
52	20	NUT, NYLOK JAM, 1/2-20
53	21	WASHER, 1/2 ID
54	9	SCREW, 10-24x1/2 BH, BLK OXIDE
55	739	GUIDE, SPRING
56	738	SPRING, BELT TENSION
57	737G	ARM, TENSION
58	737F	PAWL
59	737C	STRIP, HANDLE
60	737A	KNOB, REAR TENSION ARM
61	737B-1	BUTTON
62	27	SCREW, DRIVE, #8 X 5/8
63	28	SCREW, DRIVE, #2 x 1/4
64	737E	NIPPLE, PIPE
65	26	PIN, 3/32 x 3/8, ROLL PLTED
66	737D	SPRING, BUTTON

ITEM 32 LIST - 712

ITEM #	PART #	DESCRIPTION
67	710	BRACKET, PIVOT BLOCK
68	714-1	BODY, TRACKING
69	25	SCREW, SET, 5/16-18 X 3/8, ALLEN
70	716	PIVOT BLOCK MOUNT
71	717	BLOCK, PIVOT
72	16	WASHER, 960-716, AN
73	18	WASHER, 960-516, AN
74	29	SCREW, 10-32 X 1/2 BUTT HEAD ALLEN
75	19	NUT, 5/16-24, ESNA
76	724	PIN, ROLL, 1/4 x 1
77	5-0035	WASHER, #10, LOCK, HIGH COLLAR
78	13	SCREW, 10-24 x 3/4, SOC, HD, CAP