



BURR KING MFG. CO., INC

1220 Tamara Lane
Warsaw, MO 65355
www.burking.com
(660)438-8998 • 800-621-2748
Fax (660)438-8991

MODEL 760 INSTRUCTION MANUAL



Model 70100 Shown

MADE IN U.S.A.



- * GRINDERS
- * BUFFERS
- * VIBRATORY
- * DISC GRINDERS

BURR KING MODEL 760 THREE WHEEL GRINDER



BURR KING MFG. CO., INC.

1220 TAMARA LANE

WARSAW MO 65355

WWW.BURRKING.COM

(660) 438-8998 ♦ (800) 621-2748

FAX (660) 438-8991

June, 2007

Burr King Manufacturing Company, Inc. warrants the below product to be free in material and workmanship. The period of warranty is 1 year (90 days for vibratory bowls of 20 quart and lesser volume) from the date of purchase. No warranty is provided for products that have been modified, abused, handled carelessly, where repairs have been made or attempted by others, or for freight damage. No warranty is provided for three phase electric motors, controllers, etc. when the motors, controllers are not protected by magnetic starters that were supplied and installed by Burr King Manufacturing Company, Inc. No other warranty, written or verbal is authorized by Burr King Manufacturing Company, Inc.

During the warranty period Burr King Manufacturing Company, Inc (or its authorized suppliers or agents) will replace or repair the below product without charge if the product is found by Burr King Manufacturing Company, Inc. to be defective. To receive warranty services you must contact Burr King Manufacturing Company, Inc. and receive authorization fir warranty service. Unless otherwise authorized by Burr King Manufacturing Company, Inc. Products (see * below) must be returned to the factory to receive warranty service.

*Motors, speed controllers, and certain other accessories are warranted by their respective manufactures. To receive warranty service on these items you must contact a brand label service center that supports the product in need of service. Burr King Manufacturing Company; Inc. will assist you in locating a service center.

For the first thirty days after purchase, and when Burr King Manufacturing Company, Inc. authorizes warranty service, we will pay normal and necessary surface freight charges both ways (except for items in *). After thirty days the customer is responsible for all freight charges. Where possible Burr King Manufacturing Company, Inc. may elect to make on site service and/or repairs necessary to return the product to serviceable condition.

To assure prompt warranty service it is necessary that you complete and return the below warranty information to Burr King Manufacturing Company, Inc. please **FAX** or **MAIL** at your convenience.

Product model: _____ Serial number: _____
Date Purchased: _____ Purchased from: _____
Address: _____ City: _____ State/Prov: _____ Postal code _____

Your company name: _____
Address: _____ City: _____ State/Prov: _____ Postal code _____
Phone: _____ Fax: _____ Email: _____
Your name: _____ Title: _____

How did you learn about Burr King products?

Trade show ___ Web ___ Industrial Distributor ___ Advertisement ___ Other _____ Which one: _____

What is the intended use of this product? _____

Please indicate the general work types performed at your company. check all that apply:

Fabrication ___ Machining ___ Casting ___ Molding ___ Welding ___ Finishing ___ Assembly ___ Research ___ Other ___

Please indicate the primary product focus of your company; check all that apply.

Aircraft/Missile ___ Automotive ___ Contract machine ___ Contract Fabrication ___ Agricultural ___ Maintenance ___ Recreational ___
Job shop ___ Foundry ___ Construction ___ Arts ___ Orthopedic ___ Dental ___ Medical ___ Other _____

Please tell us what we can do to improve our products:

May we contact you? Yes ___ No ___

Thank you for purchasing Burr King products!

**REGISTER ONLINE @
WWW.BURRKING.COM**



BURR KING MFG. CO., INC.

1220 TAMARA LANE

WARSAW MO 65355

WWW.BURRKING.COM

(660) 438-8998 s (800) 621-2748

FAX (660) 438-8991

June 21, 2007

LETTER OF AUTHENTICITY

This letter is to certify that all Burr King Belt grinders, Disc grinders, Polishing machines Vibra King Chambers and Bowls are manufactured and assembled in the United States of America.

(Tariff number 847990 criterion A)

A handwritten signature in black ink, appearing to read "Don Mac Carthy".

Don Mac Carthy
President

See our catalog at www.burrking.com

contact us at info@burrking.com



BURR KING MFG. CO., INC.

1220 TAMARA LANE

WARSAW MO 65355

WWW.BURRKING.CO

(660) 438-8998 s (800) 621-2748

FAX (660) 438-8991

February 2005

OPERATOR, and OPERATING AREA SAFETY

Subject equipment includes Grinders, buffers, polishers, and other rotating equipment. Serious injury or death may occur if minimum safety precautions are not understood, and obeyed by operators and those other persons who may be in the immediate vicinity of the subject equipment. Persons who operate, or are in the immediate vicinity of the subject equipment must be properly trained in, and use, minimum safety precautions and procedures for such machinery.

Minimum safety requirements to operate, or work in the immediate vicinity subject equipment:

1. Read and understand all operating instructions, manuals, labels, and other information provided with the equipment.
2. Install the equipment according to manufacturer's instructions.
3. Securely bolt the equipment to a rigid, structurally sound mounting surface.
4. Use and wear proper eye and face protection.
5. Use and wear proper protection for the body, hands, fingers, feet, and legs.
6. Review and understand all machine guards, adjustments, and points of exposure to potential injury.
7. Do not remove, tamper with, or otherwise alter, equipment guards, and other safety features.
8. Insure the machine is adjusted, and remains adjusted according to manufacture's requirements.
9. Maintain the equipment in good operating condition.
10. Have another person who is knowledgeable in proper and safe operation of the subject equipment demonstrate proper and safe operation to all operators, and to those persons who might be in the immediate vicinity of the subject equipment.
11. Use work piece holding devices when ever possible that diminish the possibility that persons will come in contact with moving machine pieces, or spark/debris output from the machine.
12. Use spark and debris arresting apparatus. Such apparatus should be connected to the machine so as to contain dust and debris that is generated, and to suppress sparks thereby limiting human inhalation risk, and the risk of fire or explosion.
13. Use appropriate inhalation apparatus to protect person from ingestion and/or inhalation of sparks, debris, smoke, particulates, etc.
14. Avoid mixing different metals, alloys, and materials. To mix such materials might create a fire or explosion hazard.
15. Protect persons from work pieces, particulates, etc. that could be forcibly ejected from the machine. For example, a buffing wheel or grinding belt can "grab" a work piece while the work piece is being buffed, polished, ground, or otherwise conditioned, resulting in forcible ejection toward the operator or those in the vicinity of the machine. The use of leather aprons, gloves, and eye shields are examples of protective gear that may be effective. In general do not grind, buff, or otherwise engage the traveling belt, wheel, or disc surface with the work piece pointing into the direction from which the belt, wheel, or disc is traveling. However, if you choose to do so be aware the work piece may lodge in the traveling belt, wheel, or disc and be forcibly, and dangerously ejected.
16. Do not operate this machine if the gap (nip point) between a moving belt, wheel or disc and the work support surface exceeds 1/8 inch.
17. Do not operate this machine if the gap between the moving abrasive belt, disc or wheel and the adjacent face

page 1 continued on next page

See our catalog at www.burrking.com

Contact us at info@burrking.com

Continued from page 1

of the work rest (or table) will permit passage of the work piece through the gap (nip point). Note, however, that certain alloys such as titanium may create conditions where grinding debris can accumulate in a tight gap creating a potential fire hazard. **When in doubt consult with your safety officer.** Failure to observe this warning may result in the work piece or other item being caught in this gap, and/or being forcibly ejected. Failure to heed this warning may cause serious bodily harm to the operator and/or bystanders. **NEVER USE THIS EQUIPMENT IF YOU ARE NOT PROPERLY TRAINED IN ITS OPERATION and/or SAFE USE! IF IN DOUBT STOP and ASK FOR GUIDANCE!**

18. Never position the work rest table at an acute angle between the top of the work rest table and the moving belt or wheel. Doing so will create “nip point” that can cause serious injury should an operator body part become entangled (pulled into) the nip point created by this acute angle.

19. Do not operate the equipment, or allow others to operate the equipment without proper training in these and other rotating machinery safety requirements.

20. Do not perform maintenance on the equipment unless you are fully qualified to do so, and understand all necessary safety and operating requirements.

21. Do not leave the machine unattended while it is running.

22. Correct equipment or safety problems immediately. Do not operate the equipment when it requires maintenance, or correction.

23. Install and use high quality abrasive belts, wheels, discs, media, etc., as appropriate to your machine. Understand and follow the operating requirements provided by the manufacturer of these materials.

Rotational Speed Warning, Contact Wheels

Scope: Contact wheels manufactured by Burr King Manufacturing Company, Inc., which have rubber or urethane tires. Examples include but are not limited to stock codes 202, 302, 402, 502, 702, 802, 902, 1002, 1202 and variants. Variants have stock codes that begin with the base number; i.e. 802-S-55 is an 802 variant.

Users are warned not to exceed the below listed revolutions per minute (RPM) on the subject wheels. Failure to heed this warning may lead to tire de-bonding, fragmentation, or other mechanical failure. Such failures may cause serious personal injury to operators or bystanders, and/or cause property damage. All Burr King products are warranted for various time periods to be free of material and/or workmanship defects. Burr King Manufacturing Companies standard warranty policy is summarized as follows for contact wheels. 1 year from date of purchase if mounted on a Burr King machine purchased on the same date or 90 days if purchased as a spare or replacement part. Our warranty does not apply to wheels that are mounted on products not manufactured by Burr King Manufacturing Company, Inc. Users who mount Burr King manufactured contact wheels on product not manufactured by Burr King Manufacturing Company, Inc. do so at their own risk and assume all liability for having so mounted the contact wheel(s).

Remember good safety practice demands guarding to protect operators and bystanders from wheel failure and/or debris. Never use the subject contact wheels without proper guarding that meets commonly accepted safe practice. See OSHA, U/L, CSA, CE, ISO and other respected safety standards.

<u>Stock code</u>	<u>Maximum Safe RPM</u>
202, 302	10000
402, 502, 702 802	4400
902, 1002	2200
1202	1600

Page 2, continued on page 3

Continued from page 2

Occupational Noise Exposure

Burr King products produce levels of noise consistent with their intended purposes. The level and spectral content of noise produced is dependent on the product type, the degree that the product is maintained in proper operating condition, the abrasive/media and accessories used, the specific application, and the surrounding environment. Noise levels produced by various Burr King grinders and polishers, as measured at the Burr King factory, range from 80 to 93 decibels. Product operators and persons in the immediate product vicinity should be protected from excessive noise does levels as prescribed in OSHA regulation 29, piece 1910.95 titled "Occupational Noise Exposure".

ROTATING EQUIPMENT CAN BE DANGEROUS TO OPERATORS AND THOSE WHO MAY BE IN ITS IMMEDIATE OPERATING VICINITY. IT IS THE ABSOLUTE AND DIRECT RESPONSIBILITY OF PURCHASERS, MANAGERS, AND OPERATORS OF THIS EQUIPMENT TO UNDERSTAND AND OBEY THE FOREGOING MINIMUM OPERATING SAFETY REQUIREMENTS. IF YOU HAVE QUESTIONS OR SAFETY CONCERNS REGARDING OPERATING THE SUBJECT EQUIPMENT PLEASE CALL YOUR AUTHORIZED BURR KING DISTRIBUTOR, OR BURR KING MANUFACTURING AT 1-800-621-2748. YOUR SAFETY IS OUR FOREMOST CONCERN!

Burr King Manufacturing disclaims any and all responsibility for injuries, damage, loss of income, or other adverse consequence as might be incurred by purchasers, managers, and operators of this equipment.

Page 3 is last page



BURR KING MFG. CO., INC.

1220 TAMARA LANE

WARSAW MO 65355

WWW.BURRKING.COM

(660) 438-8998 s (800) 621-2748

FAX (660) 438-8991

April 2002

Operating instructions for the Model 760 belt grinder

The model 760 belt grinder is a three wheel path belt grinder that uses either a 1 1/2 x 60 inch or a 2 x 60 inch continuous loop abrasive belt. When fit with a model 1400, 1401, 1402, 1411 or 1412 internal grinding attachment (optional) the belt width ranges from 1/2 to 2 inches (depending on the internal grinding attachment model in use), and the belt length changes to 72 inches. For maximum effectiveness, and operator safety use abrasive belts manufactured by well respected abrasive manufacturers.

- * Use abrasive belts that are the proper size and type for your machine.
- * Do not use abrasive belts that are old or excessively worn.
- * Do not use abrasive belts that use lap splice joints. Lap spliced belts are prone to separation. They may also tend to snag your work and create a potential safety hazard by snagging and propelling the work part in the operator's direction.

Prior to operating the model 760 please take time to do the following:

1. Insure that you have received all of the items that you ordered. Compare the packing slip with your purchase order, and of course with the physical items received.
2. Verify that there is no obvious shipping damage. If shipping damage is discovered notify the freight carrier of your intention to file a freight damage claim. They will assist you.
3. Verify that the AC power that is identified on the machine as received matches the AC power that you intend to operate the machine with. Do not modify the machine's wiring without first contacting your distributor and/or Burr King Manufacturing.
4. Do not modify or defeat any AC wiring safety feature. In example, do not remove the grounding pin on the AC plug.
5. Verify that you have received a warranty card, parts lists, catalog, and **Operator, and Operating Area Safety Instructions.**
6. Complete the warranty card and return it to Burr King Manufacturing.
7. Verify that the various guards for the machine are in place and functional. See the parts list for the indicated part numbers.
 - a. The contact wheel guard and backup platen are mounted and adjusted such that the platen lightly touches the back of the abrasive belt (P/N 703, 704A, 704B).
 - b. The full safety guard is in place, closed and its door latch is functional such that it will securely hold the safety door closed (P/N 742A, 742B, 742D, and 742C).
 - c. If an internal grinding attachment is installed insure that all pinch guards are adjusted so as to guard the belt wheel entry points. This means that the pinch guards need to very close, but not touching the abrasive belt (P/N 1429, 2 places, see the internal grinding attachment parts list).
8. Prior to operating the model 760 carefully read the **Operator, and Operating Area Safety Instructions.** Insure that all persons who will operate the model 760, or who will work in the vicinity of the model 760 read understand, and comply with these instructions.
9. Insure that the grinder is located in an area that provides clear access to the machine such that operators have safe and unobstructed access to the machine. The work place should be free from floor obstructions, trip points, and other faults that may reduce operator safety.
10. Burr King recommends that all three phase installations include a magnetic starter. Magnetic starters protect motors from "single phasing", overheating, etc. thereby reducing the risk of damage to the equipment and/or fire hazard to your facility.
11. Insure that the model 760 AC power source is properly sized, and properly fused. You should consult a competent electrician, or you may call Burr King Manufacturing for guidance.

Functional operating instructions for the model 760 belt grinder

The model 760 was fully tested and verified to comply with requirements prior to shipping from the factory. You should perform the following steps:

1. With the machine securely bolted to its table, pedestal, and/or floor point connect the AC power to its source.
2. Adjust the work support and work support arm (P/N 706, 705) to the desired position. Take care that the gap between the face of the abrasive belt and the work rest is at most 1/8 inch. **WARNING: Be aware that thin section work pieces can pass through this gap if the gap is not properly adjusted. Ejected work parts can cause serious personal injury!**
3. Insure that the abrasive belt is tensioned properly. To do this, raise the tensioning handle (P/N 737A). You will hear mechanical clicks as the tensioning ratchet (P/N 736, 737F) moves. Generally, the belt will be adequately tensioned when you hear three to eight clicks. To reduce or release the belt tension slightly raise the tensioning handle (P/N 737A) then press the button (P/N 737B) in the center of the tensioning handle. Move the tensioning handle down slightly to reduce belt tension or all the way down to release belt tension.
4. Engage the motor by placing the ON/OFF switch to ON. The belt should rotate smoothly in a CCW direction about the machine wheel belt path. If either of these conditions is not met immediately turn the machine OFF.
 - a. If the abrasive belt does not remain centered on the contact wheel (P/N 702) while the belt is moving use the tracking adjustment (P/N 711) on the upper left side of the machine to track the belt. Turning this control CW to cause the belt to track to the left, conversely turn the control CCW to cause the belt to move to the right.
 - b. If the belt runs in reverse (up from the floor) you must correct this unsafe condition by changing the main drive motor rotation direction. **WARNING: FIRST DISCONNECT THE MACHINE FROM ITS AC POWER SOURCE. A COMPETENT ELECTRICIAN SHOULD PERFORM ALL ELECTRICAL WORK ON THE MODEL 760.**
 - 1) Reversed the motor direction of a three phase motor by reversing any two legs of the input power lines.
 - 2) Reverse the motor direction of a single phase motor by reversing leads 5 and 8 found within the metal wiring box located on the motor, or as otherwise instructed on the actual motor label.
 - c. If the abrasive belt tensions, and tracks properly, but has excessive vibration turn the machine OFF and call the Burr King factory for assistance.

Maintenance for the model 760

WARNING: FIRST DISCONNECT THE MACHINE FROM ITS AC POWER SOURCE.

- * Every thirty days apply light machine oil to the rear wheel support (P/N 735) to rear wheel handle (P/N 737G) interface. Two drops of oil is sufficient.
- * Every thirty days check the v-belt (P/N 729) tension. If you can hear the belt “slap” the v-belt guard (P/N 728) when the drive motor starts, the v-belt requires re-tensioning. Do this by loosening the four bolts (P/N 2) that secure the motor to the machine base (P/N 731) and slide the motor toward the rear of the machine. Tighten the four bolts.
- * Daily vacuum or otherwise remove dust and debris build-up from the machine and the machine belt track.

There are no other maintenance actions required. All bearings are sealed for life and require no additional lubrication.

-----**WARNING,**
AVOID INJURY: operator safety and the continued effectiveness of your model 760 requires that you:

Do not defeat the safety guards and other safety provisions of the model 760.

Do not operate the model 760 with the safety guard open or the contact wheel guard/platen assembly (or internal grinding attachment) removed.

Do not reach inside the safety guards while the machine is running. To do so is hazardous.

Do not use fluids in your grinding process unless your model 760 is designed for liquid operation (NEMA 4, 4X). To do so may create an electrical safety hazard.

See our catalog at www.burrking.com
DOC760OP-99 REV 04/02

Contact us at info@burrking.com

Do not use your model 760 to grind/polish explosive materials such unless it is equipped with explosion proof electrical devices and motor.

Do not mix alloys in your grinding. To do so may create an explosion/fire hazard.

Do not use stone or vitreous wheels on the model 760. To do so will create an operator safety hazard.

Do use eye, hand, face, arm, leg, feet and body protection that is adequate to protect against flying debris, forcibly ejected work pieces, broken abrasive belts, etc.

Do train operators and others in safe operating practices.

Post these or equivalent instructions such that they are available for ready operator reference.

Please call us for technical assistance and safety advice!



BURR KING MFG. CO., INC.

1220 TAMARA LANE

WARSAW, MO 65355

WWW.BURRKING.COM

(660) 438-8998 s (800) 621-2748

FAX (660) 438-8991

April 2000

Instruction for aligning the idler wheels on model 760 belt grinders

When idler wheels are removed and/or replaced they must be installed such that they are in proper alignment. Failure to properly align the idler wheels will result in premature failure of the wheels. Premature failure will be evidenced by outer diameters being excessively worn such that the wheels lose their factory crown, wear to a truncated form, or become out of balance. Misalignment results in wear that is analogous to front tire wear when the front steering mechanism of an automobile is miss aligned. The upper idler equates to the front wheels of the car. If either idler wheel is misaligned to each other or to the contact wheel excessive, and irregular wear will occur.

The upper and rear idler wheels must operate in the same plane. This means that when they are correctly aligned a plane passing through the radial center of the upper wheel will exactly pass through the radial center of the rear wheel. Machines are shipped from the factory with wheels of the same width. In example, the model 760 prior to mid 1999 was shipped with wheels that are 1.75 inches wide. Currently, model 760 machines are shipped with wheels that are 2.0 inches wide. The 1.5 and 2.0 inch wheels may be interchanged and/or mixed; however, if they are mixed their widths must be taking into account when performing this alignment. The model 760 contact wheel may be 0.5, 1.5, or 2.0 inches wide. Likewise the width of the contact wheel must be taken into account when performing this alignment.

Never perform maintenance or adjustments as described below on your model 760 without first disconnecting the machine from its source of electric power. Failure to observe this warning may lead to serious personal injury.

Procedure: (disconnect electric power and remove the abrasive belt)

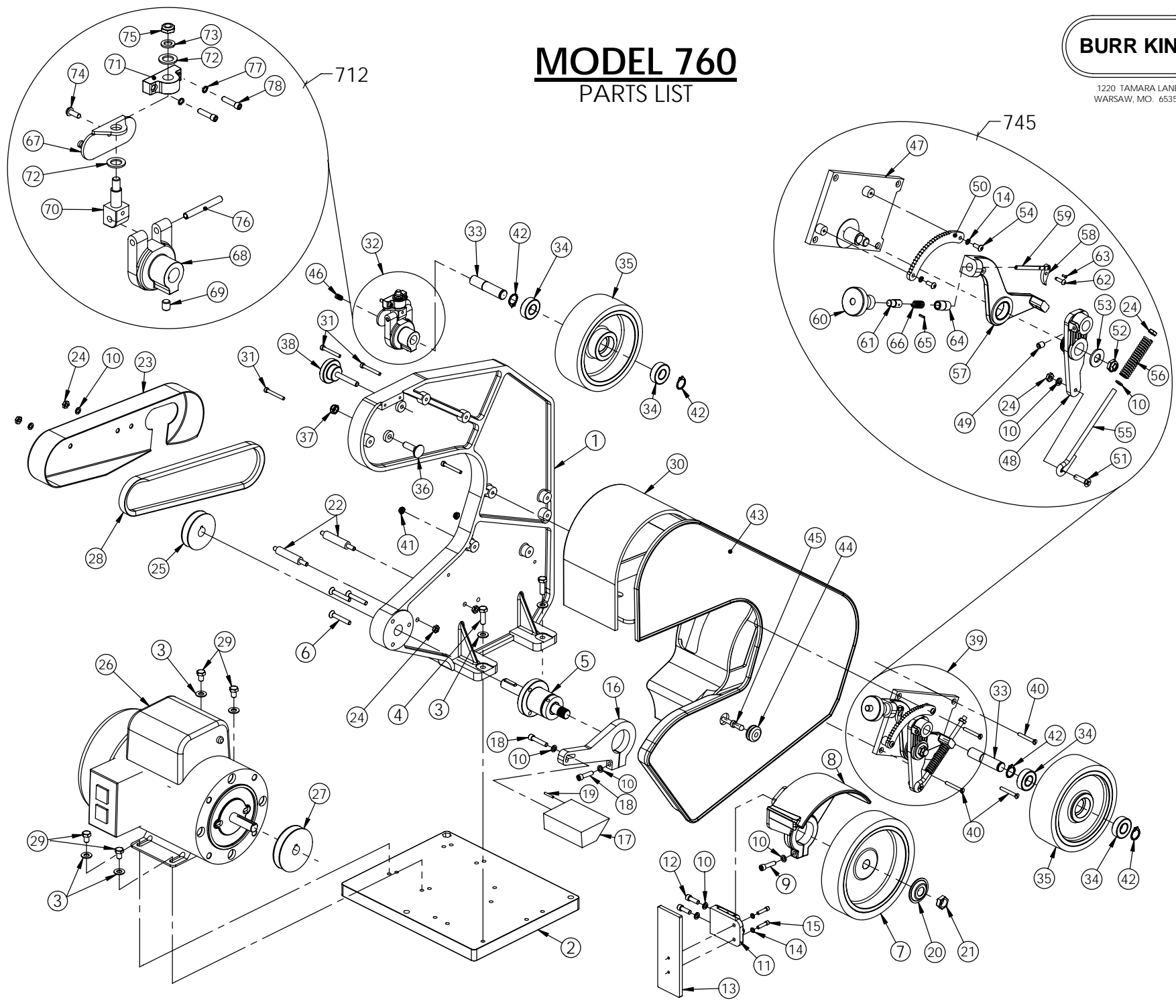
1. Install the rear idler such that its inside-bearing surface is approximately 0.06 inches out from the wheel support P/N 735. Secure the wheel with locking set screw P/N 25.
2. Install the upper wheel such that its inner bearing surface is approximately 0.06 inches out from its bearing support P/N 714. Secure the wheel with locking set screw P/N 25.
3. Loosen the retaining nut P/N 22 that locks the upper idler wheel adjusting screw P/N 721. Using screw P/N 721 adjust the upper idler wheel until a straight line representing the plane passing through the center of the upper idler exactly passes through the center of the contact wheel. This line represents the center of belt travel. Note: make certain that the bearing support is against the screw end of P/N 721.
4. Project a line from the upper idler outside rim to the outside rim of the rear idler. Adjust the tracking control P/N 711 until the wheels are exactly planar. That is their radial centers are aligned.
5. Repeat step 3 and 4 until both conditions are satisfied. That is the upper and rear idlers are aligned to each other and both wheels are aligned to the contact wheel.
6. Tighten the locking nut on P/N 721.
7. Install a new abrasive belt. Roll the belt manually to assure that it will maintain coarse tracking. If the belt does not track manually, repeat the prior steps until it does. If after repeating these steps the belt still will not track the machine requires other maintenance and/or one or both idler wheels require replacing. The wheels should be replaced in pairs.
8. Apply electric power to the machine and verify that the tracking control P/N 711 will sweep the belt across the face of the contact wheel. At least ½ inch adjustment in both directions from center should be possible.

See our catalog at www.burrrking.com

Contact us at info@burrrking.com

MODEL 760

PARTS LIST



MODEL 760

PARTS LIST



1220 TAMARA LANE
WARSAW, MO. 65355

MAIN BODY LIST

ITEM #	PART #	DESCRIPTION
1	700	FRAME, MAIN
2	731	BASE, MACHINE
3	4	WASHER, 5/16 SAE ZINC PLTD
4	1	BOLT, 5/16-18x1, HH, GRD 5, PLTD
5	701	BEARING, CONTACT WHEEL ASSY
6	6	1/4-20 x 1 1/2 FH SOC
7	702	WHEEL, CONTACT
8	703-3	GUARD, CONTACT WHEEL
9	30	1/4-20x1 SHCS
10	5	WASHER, 1/4 AN
11	704B	BRACKET, PLATEN
12	209	SCREW, 1/4-20 X 3/4 ALLEN HEAD
13	704A	PLATEN
14	15	WASHER, 5/16 LOCK, SPLIT
15	13	SCREW, 10-24 x 3/4, SOC, HD, CAP
16	705-1	ARM, WORKREST SUPPORT
17	706-1	WORKREST, ANTI-TILT
18	31	1/4-20x1 1/4 SHCS
19	6-0014	PIN, 1/8 X 3/4, ROLL PLTED
20	726	WASHER, SPRING FLANGE
21	727	NUT, 5/8-18 RH, JAM, BRT PLT
22	728A	STANDOFF, GUARD
23	728	GUARD, V-BELT, INVERT
24	3	NUT, 1/4-20 JAM, PLTD
25	725	PULLEY, 2 1/2
26	MOTOR	MOTOR, 1 1/2HP, 120/220V/1PH/C-FACE
27	730	PULLEY, 3
28	729	BELT, V DRIVE
29	2	BOLT, 5/16-18x1 1/2 HEX HEAD
30	742A-1	GUARD, SAFETY
31	8	SCREW, 10-24 x 1-1/2, BUTTON
32	712	TRACKING ASSY, UPPER IDLER
33	707C	SHAFT, BEARING
34	701B	BEARING 5/8 x 1 3/8
35	707EX	WHEEL, IDLER
36	1-0037	BOLT, 3/8-16 x 1-1/4, CARRAGE
37	4-0005	NUT, 3/8-16, JAM, ELASTIC, PLTD
38	711	KNOB ASSY, TRACKING
39	745	BELT TENSIONING ASSEMBLY
40	7	SCREW, 10-24 x 1 1/2 FLAT HD
41	14	NUT, 10-24, KEP
42	701F	WHEEL, IDLER CIR-CLIP
43	742B-1	DOOR, SAFETY GUARD
44	742H	GROMMET, SAFETY GUARD DOOR
45	742L	LATCH, SAFETY GUARD DOOR
46	338-2	SPRING, TRACKING

ITEM 39 LIST - 745

ITEM #	PART #	DESCRIPTION
47	734	BASE PLATE
48	735	SUPPORT, REAR WHL
49	25	SCREW, SET, 5/16-18 X 3/8, ALLEN
50	736	RACHET
51	34	SCREW, 1/4-20 X 1, FH PHILLIPS
52	20	NUT, NYLOK JAM, 1/2-20
53	21	WASHER, 1/2 ID
54	9	SCREW, 10-24x1/2 BH, BLK OXIDE
55	739	GUIDE, SPRING
56	738	SPRING, BELT TENSION
57	737G	ARM, TENSION
58	737F	PAWL
59	737C	STRIP, HANDLE
60	737A	KNOB, REAR TENSION ARM
61	737B-1	BUTTON
62	27	SCREW, DRIVE, #8 X 5/8
63	28	SCREW, DRIVE, #2 x 1/4
64	737E	NIPPLE, PIPE
65	26	PIN, 3/32 x 3/8, ROLL PLTED
66	737D	SPRING, BUTTON

ITEM 32 LIST - 712

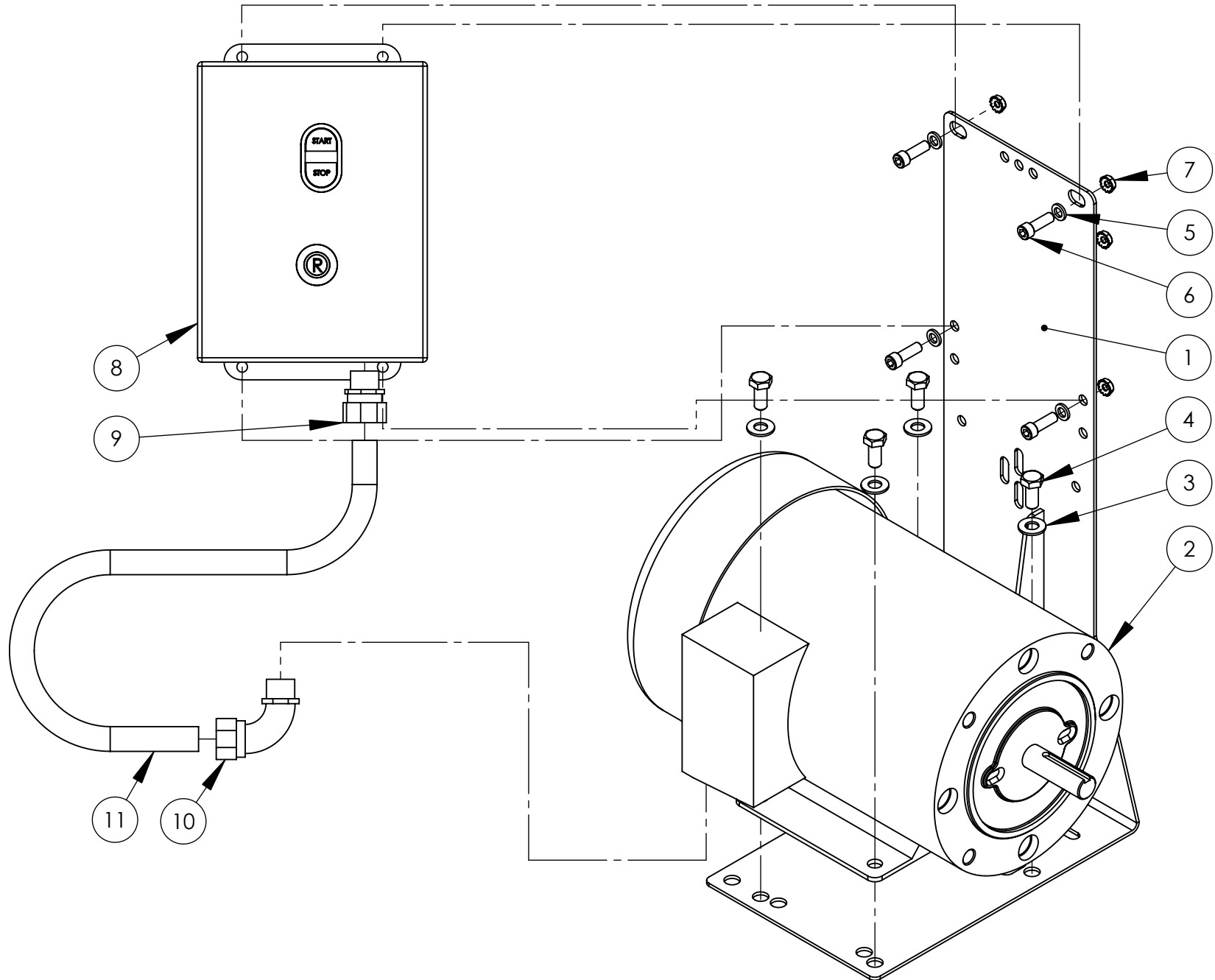
ITEM #	PART #	DESCRIPTION
67	710	BRACKET, PIVOT BLOCK
68	714-1	BODY, TRACKING
69	25	SCREW, SET, 5/16-18 X 3/8, ALLEN
70	716	PIVOT BLOCK MOUNT
71	717	BLOCK, PIVOT
72	16	WASHER, 960-716, AN
73	18	WASHER, 960-516, AN
74	29	SCREW, 10-32 X 1/2 BH
75	19	NUT, 5/16-24, ESNA
76	724	PIN, ROLL, 1/4 x 1
77	5-0035	WASHER, #10, LOCK, HIGH COLLAR
78	13	SCREW, 10-24 x 3/4, SOC, HD, CAP

MAG STARTER

PARTS LIST

BURR KING

1220 TAMARA LANE
WARSAW, MO. 65355



MAG STARTER			
ITEM NO.	PART NUMBER	DESCRIPTION	QTY.
1	MB-4C	BRACKET, MOUNTING, STARTER	1
2	MOTOR	CALL FACTORY FOR PART NUMBER	1
3	4	WASHER, 5/16 SAE ZINC PLTD	4
4	37	BOLT, 5/16-18x3/4 HEX HEAD	4
5	5	WASHER, 1/4 AN	4
6	209	SCREW, 1/4-20 X 3/4 ALLEN HEAD	4
7	4-0013	NUT, KEP, 1/4-20	4
8	MS2A3 MS4A3 MS2B3 MS4B3	3/4HP-1HP, 220V 3/4HP-1HP, 440V 1.5HP-3HP, 220V 1.5HP-3HP, 440V	1
9	775	CONNECTOR, 3/8", STR, LIQ. TIGHT	1
10	776	CONNECTOR, 3/8", 90 DEG, LIQ. TIGHT	1
11	020	CONDUIT 3/8" LIQUID TIGHT	1

VARI SPEED

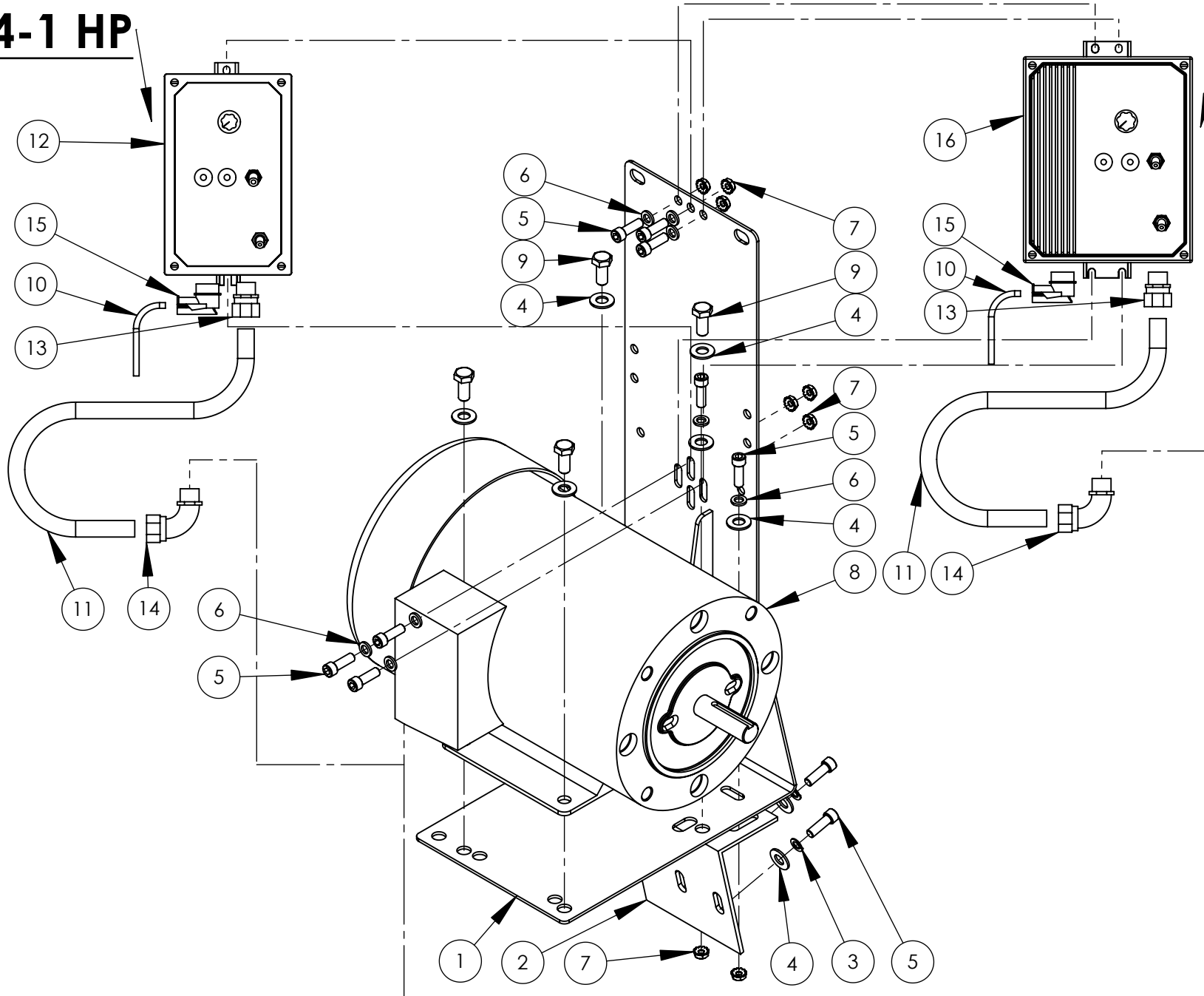
SINGLE PHASE

BURR KING

1220 TAMARA LANE
WARSAW, MO. 65355

3/4-1 HP

1.5-3 HP



VARI SPEED			
ITEM NO.	PART NUMBER	DESCRIPTION	QTY.
1	MB-4C	BRACKET, MOUNTING, STARTER	1
2	941-3	BRACE, MB4 SUPPORT	1
3	5-0032	WASHER, 1/4, LOCK, SPLIT, PLTD	2
4	4	WASHER, 5/16 SAE ZINC PLTD	8
5	209	SCREW, 1/4-20 X 3/4 ALLEN HEAD	10
6	5	WASHER, 1/4 AN	8
7	4-0013	NUT, KEP, 1/4-20	8
8	100B-1725C 150B-1725C	1 HP MOTOR 1.5 HP MOTOR	1
9	37	BOLT, 5/16-18x3/4 HEX HEAD	4
10	015-1 017	120V CORD 220V CORD	1
11	020	CONDUIT 3/8" LIQUIDTIGHT	1
12	864-1	CONT. 115/220V 0.75-1HP	1
13	775	CONNECTOR, 3/8" STR, LIQ. TIGHT	1
14	776	CONNECTOR, 3/8", 90 DEG, LIQ. TIGHT	1
15	643	RELIEF, STRAIN 3/8" 90 DEG	1
16	862-3	CONT. 115/220V 1.5-3HP	1

NOTE

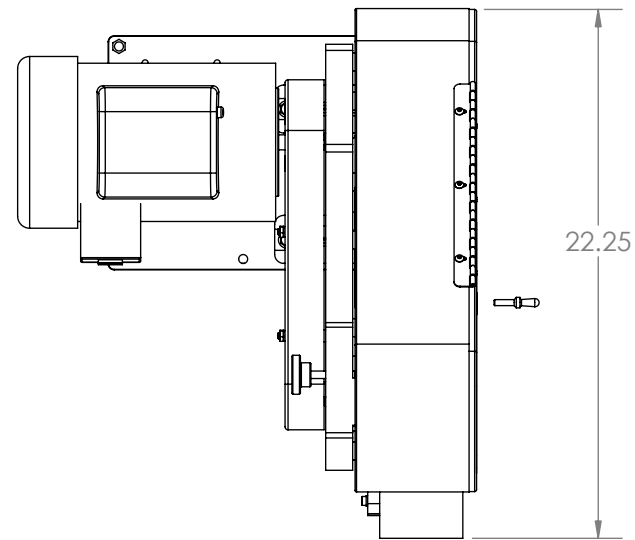
FOR 3 PHASE CONTROLLER CALL FACTORY.

CE CERTIFICATION PART NUMBERS

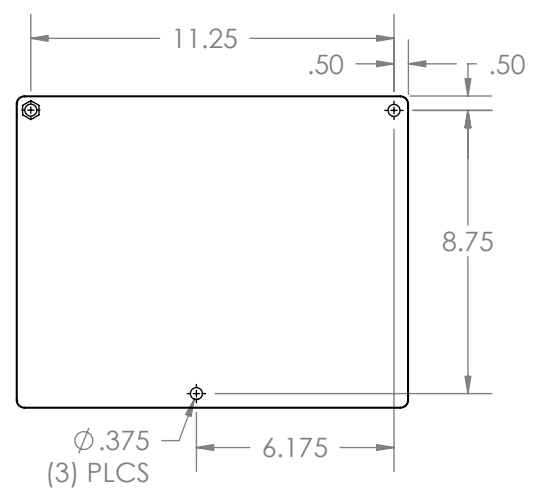
ADD TO CONTROLLER

ITEM NO.	PART NUMBER	DESCRIPTION	QTY.
12	9974-6	LINE FILTER	1
16	9974-5	LINE FILTER	1
CHANGE PART			
15	3356	RELIEF, STRAIN	1
10	CE CORD	NO PLUG- CUSTOMER INSTALLED PLUG	1

M760
LINE DRAWING

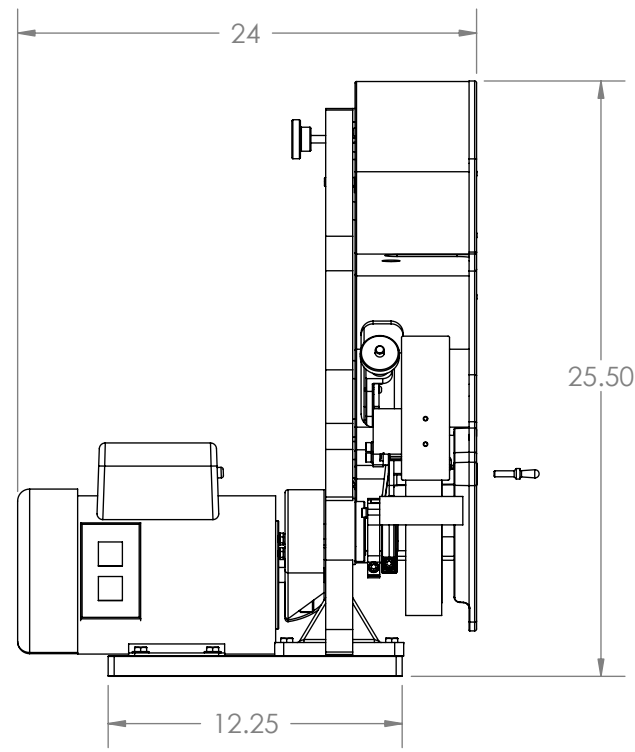


TOP VIEW

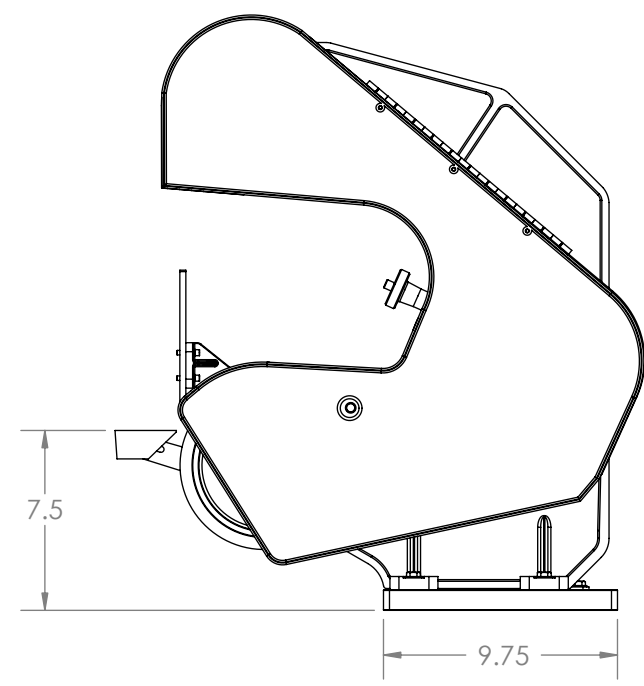


MOUNTING PATTERN

NOTE:
- ALL DIMENSIONS
ARE IN INCHES



FRONT VIEW



SIDE VIEW