

JET[®]

WMH TOOL GROUP

Operating Instructions and Parts Manual Toe Jack

Models JTJ-2ST, JTJ-5ST and JTJ-10ST



(5-Ton model shown)

WMH TOOL GROUP

2420 Vantage Drive
Elgin, Illinois 60124
Ph.: 800-274-6848
www.wmhtoolgroup.com

Part No. M-454502

Revision A 9/06

Copyright © WMH Tool Group

WARRANTY AND SERVICE

WMH Tool Group, Inc., warrants every product it sells. If one of our tools needs service or repair, one of our Authorized Service Centers located throughout the United States can give you quick service. In most cases, any of these WMH Tool Group Authorized Service Centers can authorize warranty repair, assist you in obtaining parts, or perform routine maintenance and major repair on your JET® tools. For the name of an Authorized Service Center in your area call 1-800-274-6848.

MORE INFORMATION

WMH Tool Group is consistently adding new products to the line. For complete, up-to-date product information, check with your local WMH Tool Group distributor, or visit jettools.com.

WARRANTY

JET products carry a limited warranty which varies in duration based upon the product (MW = Metalworking, WW = Woodworking).

90 DAY WARRANTY	1 YEAR WARRANTY	2 YEAR WARRANTY	5 YEAR WARRANTY	5 YEAR WARRANTY	5 YEAR WARRANTY	LIFE LIFETIME WARRANTY		
Lathe Accessories Machine Accessories Mobile Bases Safety Equipment Specialty Items Vise Accessories	Air Tools- Contractor Air Tools-Industrial Air Tools-Light Industrial Lubrication	Body Repair Kits Bottle Jacks Cable Pullers Cold Saws Hoists-Air Hoists-Electric Metalforming Mill/Drills Milling Machines	MW Bandsaws MW Drill Presses MW Finishing Equipment MW Lathes MW Precision Vises Pallet Trucks Rigging Equip. Service Jacks	Stackers Surface Grinders Tapping Trolleys-Air Trolleys-Electric Web Slings Winches-Electric	Beam Clamps Chain Hoist- Manual Lever Hoists Pullers-JCH Models Scissor Lift Tables Screw Jacks Trolleys-Geared	<i>Warranty reverts to 1 Year Warranty if woodworking (WW) products listed below are used for commercial, industrial or educational purposes</i> Trolleys-Plain Winches-Manual WW Air Filtration WW Bandsaws WW Buffers WW Drill Presses WW Dust Collectors WW Dust Filters	WW Dust Fittings WW Jointers WW Lathes WW Planers WW Sanders WW Shapers WW Tablesaws	Fastening Tools Mechanics Hand Tools Striking Tools Vises (non-precision) Clamps

WHAT IS COVERED?

This warranty covers any defects in workmanship or materials subject to the exceptions stated below. Cutting tools, abrasives and other consumables are excluded from warranty coverage.

WHO IS COVERED?

This warranty covers only the initial purchaser of the product.

WHAT IS THE PERIOD OF COVERAGE?

The general JET warranty lasts for the time period specified in the product literature of each product.

WHAT IS NOT COVERED?

Five Year Warranties do not cover woodworking (WW) products used for commercial, industrial or educational purposes. Woodworking products with Five Year Warranties that are used for commercial, industrial or education purposes revert to a One Year Warranty. This warranty does not cover defects due directly or indirectly to misuse, abuse, negligence or accidents, normal wear-and-tear, improper repair or alterations, or lack of maintenance.

HOW TO GET SERVICE

The product or part must be returned for examination, postage prepaid, to a location designated by us. For the name of the location nearest you, please call 1-800-274-6848.

You must provide proof of initial purchase date and an explanation of the complaint must accompany the merchandise. If our inspection discloses a defect, we will repair or replace the product, or refund the purchase price, at our option. We will return the repaired product or replacement at our expense unless it is determined by us that there is no defect, or that the defect resulted from causes not within the scope of our warranty in which case we will, at your direction, dispose of or return the product. In the event you choose to have the product returned, you will be responsible for the shipping and handling costs of the return.

HOW STATE LAW APPLIES

This warranty gives you specific legal rights; you may also have other rights which vary from state to state.

LIMITATIONS ON THIS WARRANTY

WMH TOOL GROUP LIMITS ALL IMPLIED WARRANTIES TO THE PERIOD OF THE LIMITED WARRANTY FOR EACH PRODUCT. EXCEPT AS STATED HEREIN, ANY IMPLIED WARRANTIES OR MERCHANTABILITY AND FITNESS ARE EXCLUDED. SOME STATES DO NOT ALLOW LIMITATIONS ON HOW LONG THE IMPLIED WARRANTY LASTS, SO THE ABOVE LIMITATION MAY NOT APPLY TO YOU.

WMH TOOL GROUP SHALL IN NO EVENT BE LIABLE FOR DEATH, INJURIES TO PERSONS OR PROPERTY, OR FOR INCIDENTAL, CONTINGENT, SPECIAL, OR CONSEQUENTIAL DAMAGES ARISING FROM THE USE OF OUR PRODUCTS. SOME STATES DO NOT ALLOW THE EXCLUSION OR LIMITATION OF INCIDENTAL OR CONSEQUENTIAL DAMAGES, SO THE ABOVE LIMITATION OR EXCLUSION MAY NOT APPLY TO YOU.

WMH Tool Group sells through distributors only. The specifications in WMH catalogs are given as general information and are not binding. Members of WMH Tool Group reserve the right to effect at any time, without prior notice, those alterations to parts, fittings, and accessory equipment which they may deem necessary for any reason whatsoever. JET®-branded products are not sold in Canada by WMH Tool Group.

Warnings

- Read and understand the entire owner's manual before attempting to operate the toe jack.
- This toe jack was designed and intended for use by properly trained personnel only. If you are not familiar with the proper and safe use of a toe jack, do not use this jack until proper training and knowledge have been obtained.
- Use the jack on hard, level surfaces only. Never use the jack on a slope or soft surfaces.
- Never load the toe jack beyond its rated capacity.
- Support raised loads with appropriate supports. Never use the toe jack as a sole means of support.
- Keep arms, legs, fingers and toes clear of a lifted load at all times.
- Do not add weight to a supported load.
- Keep lifted loads as low as possible.
- Remove the handle from the toe jack body when not in use. Never use any handle other than the one designed for the toe jack.
- Retract the ram completely when you are finished using the jack. An extended ram might get damaged.
- Do not lower a load suddenly and stop in the middle of a lift. Damage to the jack may occur.
- Replace the warning label on the jack if it is damaged or unreadable.
- Failure to comply with all these warnings may cause serious injury and/or damage to property.

Specifications

Model	Stock No.	Toe Capcty (tons)	Head Capcty (tons)	Toe Height min. (in.)	Toe Height max. (in.)	Toe Lift (in.)	Head Height min. (in.)	Head Height max. (in.)	Toe Size (L x W) (in.)	Base Size (L x W) (in.)	Net Weight (lbs.)
JTJ-2ST	454502	2	3	5/8	5-1/16	4-7/16	9-1/4	13-3/4	2 x 2	4-15/16 x 7	20
JTJ-5ST	454505	5	6	1-1/16	5-3/4	4-11/16	11-1/2	16-1/4	2.5 x 3	10-5/8 x 7-3/16	48
JTJ-10ST	454510	10	14	1-7/32	6-15/16	5-23/32	12-7/8	18-9/16	2.72 x 3.3	11-9/32 x 9-7/16	81

The above specifications were current at the time this manual was published, but because of our policy of continuous improvement, WMH Tool Group reserves the right to change specifications at any time and without prior notice, without incurring obligations.

Unpacking

Open shipping carton, which should contain one toe jack and one 2-piece handle. Check for shipping damage. Report any damage immediately to your distributor and shipping agent. Do not discard any shipping material until the toe jack is set up and operating properly.

Operation

NOTE: Repeated operation near or at the rated capacity may cause undue wear and shorten jack life.

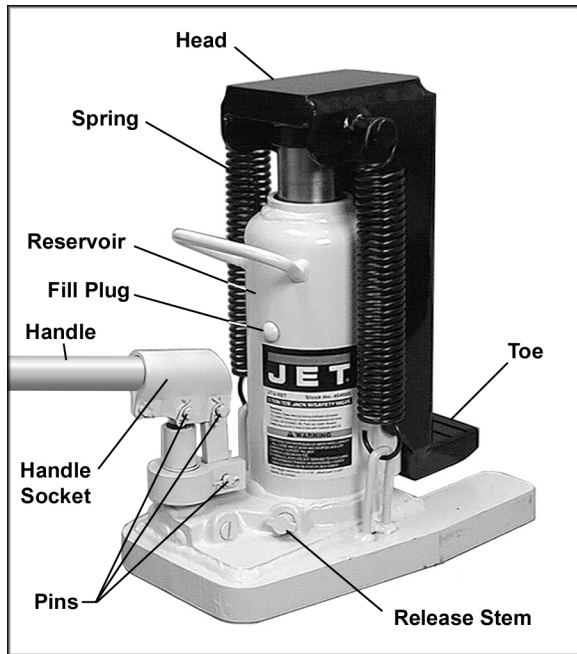


Figure 1 (5-ton model shown)

To raise the jack (see Figure 1):

1. Assemble the handle and place the end of the handle over the release stem.
2. Turn the release stem clockwise completely to close the valve. Do not over tighten.
3. Insert the handle into the handle socket.
4. Pump the handle to raise the load.

To lower the jack:

1. Place the end of the handle onto the release stem and turn **slowly** counterclockwise to open the valve.
2. Do not turn the release valve around more than two complete revolutions.

WARNING Turning the release valve too quickly will make the load fall rapidly, and may lead to loss of load or damage to the jack. Failure to comply may cause serious injury and/or property damage.

When storing the jack, lower the ram completely and wipe off any dirt, oil, or other contaminants.

Lubrication

1. Lubricate the pins (Figure 1) with a few drops of machine tool oil monthly.
2. Lubricate the slide (Figure 2) with #2 lithium base grease monthly.

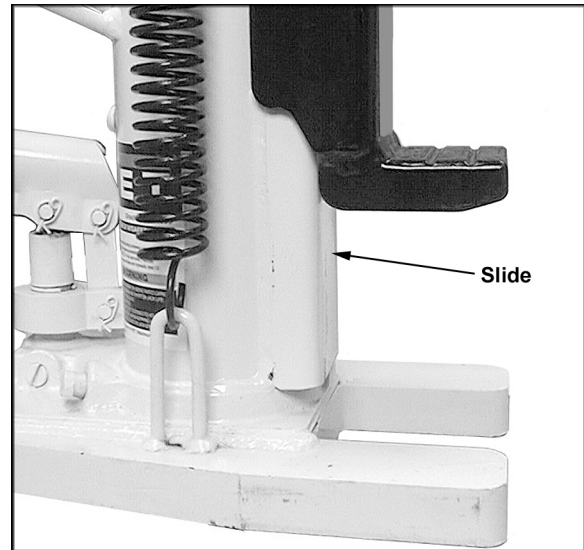


Figure 2

To fill the reservoir with oil:

1. Completely lower the ram.
2. Remove the fill plug (Figure 1).
3. Fill the reservoir with hydraulic jack oil to the bottom edge of the fill hole with the jack in the upright position.

WARNING Make sure no contaminants enter the cylinder when filling with oil. Never use any oil other than hydraulic jack oil to fill the cylinder.

4. Replace the fill plug.
5. Raise the ram to its full height and pump five or six times after the ram has reached its full height.
6. Push the ram down completely.
7. Push the fill plug sideways to let the trapped air bleed out.

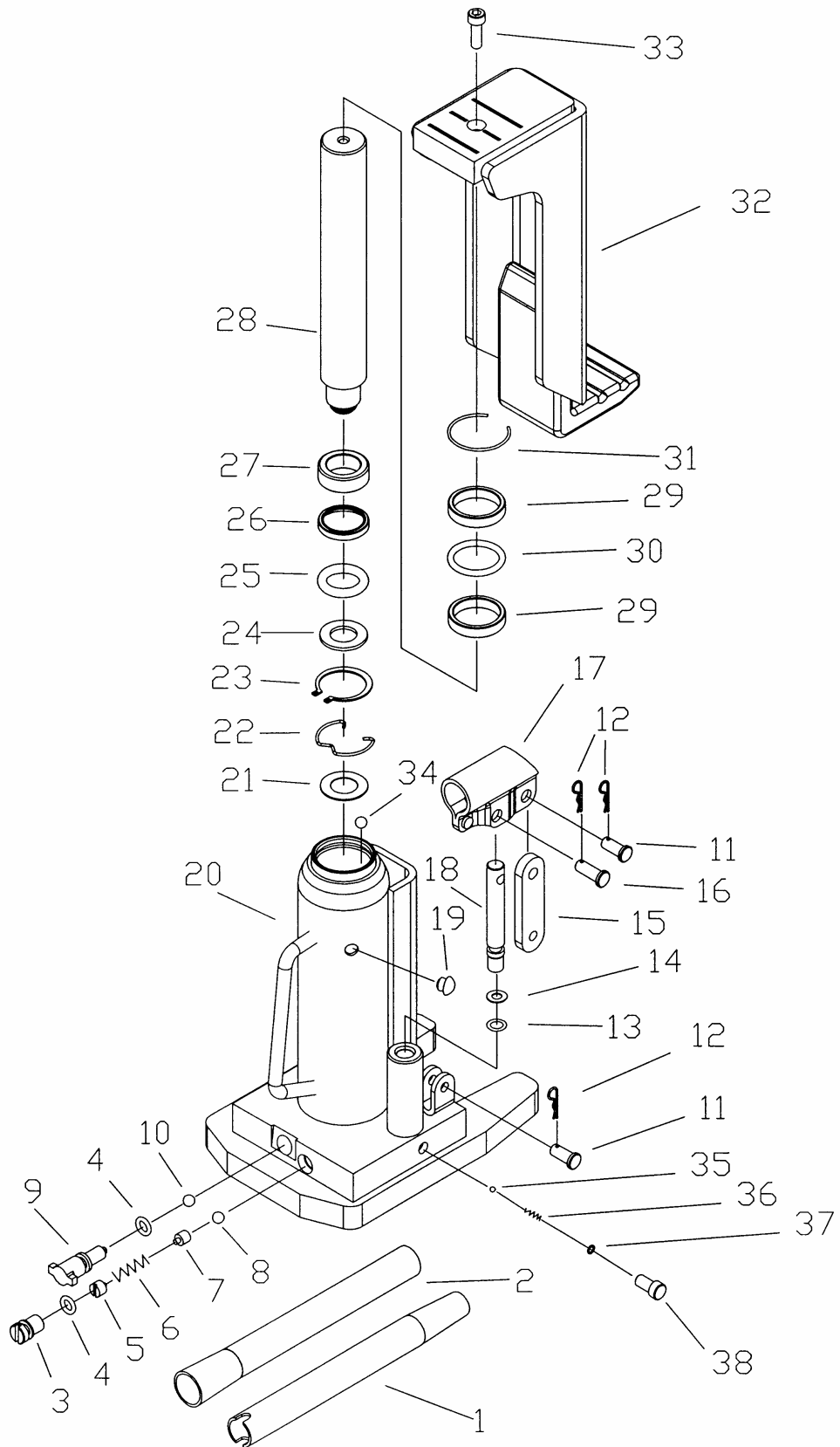
Troubleshooting

Trouble	Probable Cause	Remedy
Toe will not extend.	Release stem is open.	Close release stem completely.
	Dirt or crack in valve sealing section.	Clean and repair or replace.
Jack will not lift to full height.	Not enough or too much hydraulic jack oil in reservoir.	Fill reservoir with correct amount of hydraulic jack oil.
Toe extends, but falls immediately.	Air in the system.	Press ram down to the lowest position and let air out by pushing fill plug sideways.
External oil leak.	Damage to top or bottom of reservoir, release stem, or pump.	Repair or replace.

Replacement Parts

Replacement parts are listed on the following pages. To order parts or reach our service department, call 1-800-274-6848 between 7:30 a.m. and 6:00 p.m. (CST), Monday through Friday. Having the Model Number and Serial Number of your machine available when you call will allow us to serve you quickly and accurately.

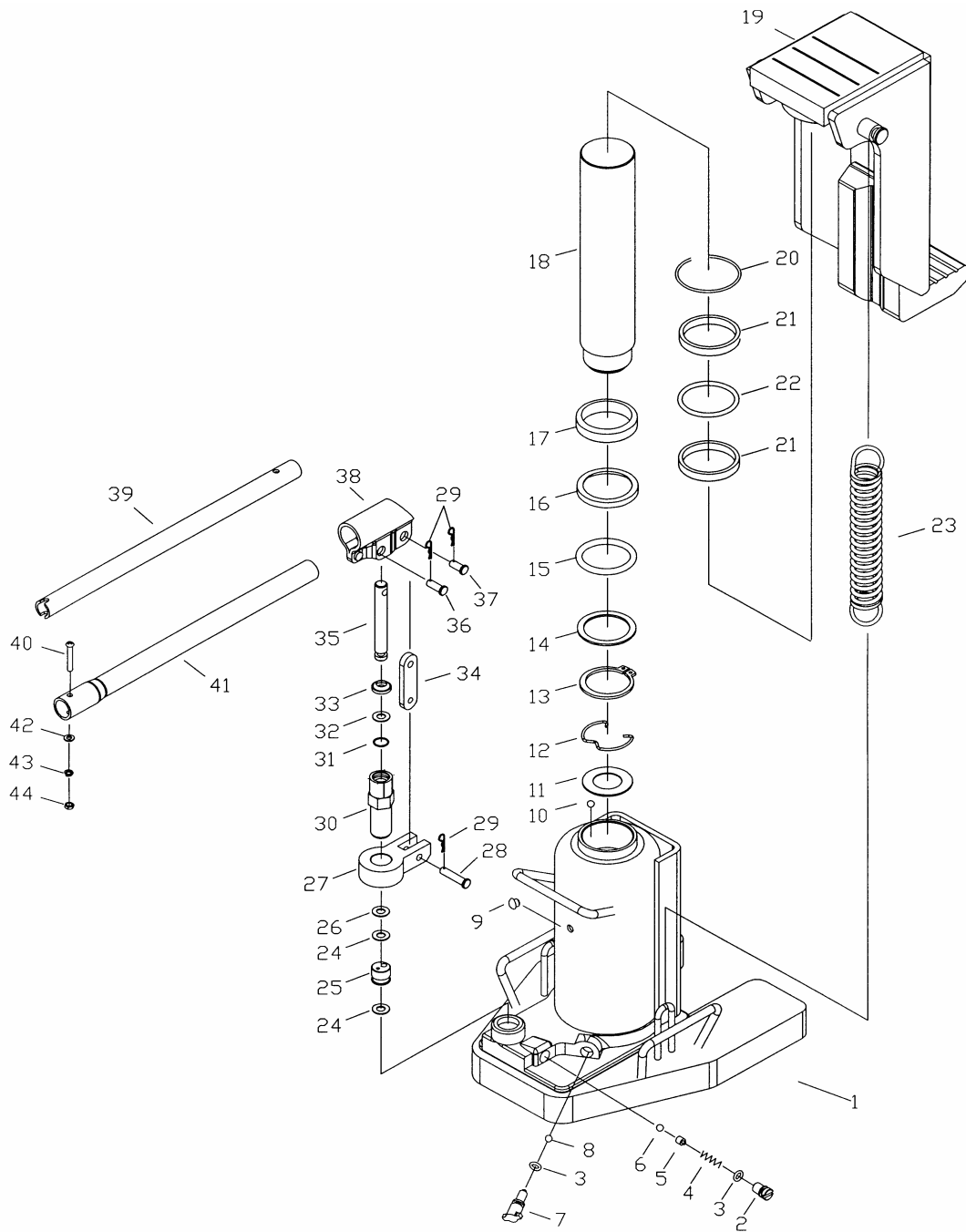
JTJ-2ST



Parts List for JTJ-2ST 2-Ton Toe Jack

Index No.	Part No.	Description	Size	Qty
1	JTJ2ST-01	Rear Handle		1
2	JTJ2ST-02	Front Handle		1
3	JTJ2ST-03	Sealing Bolt		1
4	JTJ10ST-03	O-Ring	7.1x2.65mm	2
5	JTJ2ST-05	Adjusting Screw		1
6	JTJ2ST-06	Safety Valve Spring		1
7	JTJ2ST-07	Ball Seat		1
8	SB-4MM	Steel Ball	4mm	1
9	JTJ2ST-09	Release Stem		1
10	SB-6MM	Steel Ball	6mm	1
11	JTJ2ST-11	Pin		2
12	JTJ2ST-12	Pin		3
13	JTJ2ST-13	O-Ring	6.7x1.8mm	1
14	JTJ2ST-14	Nylon Gasket		1
15	JTJ2ST-15	Rod Joint		1
16	JTJ2ST-16	Pin		1
17	JTJ2ST-17	Handle Socket		1
18	JTJ2ST-18	Pump Plunger		1
19	JTJ2ST-19	Oil Fill Plug		1
20	JTJ2ST-20	Body		1
21	JTJ2ST-21	Washer		1
22	JTJ2ST-22	Snap Ring		1
23	JTJ2ST-23	Snap Ring	16mm	1
24	JTJ2ST-24	Washer		1
25	JTJ2ST-25	O-Ring	19.5x5.3mm	1
26	JTJ2ST-26	Sealing Washer		1
27	JTJ2ST-27	Piston Ring		1
28	JTJ2ST-28	Ram		1
29	JTJ2ST-29	Bushing		2
30	JTJ2ST-30	O-Ring	26.4x3.6mm	1
31	JTJ2ST-31	Snap Ring		1
32	JTJ2ST-32	Toe		1
33	TS-1503041	Socket Head Cap Screw	M6x16	1
34	SB-5MM	Steel Ball	5mm	1
35	SB-5MM	Steel Ball	5mm	1
36	JTJ2ST-36	Spring		1
37	JTJ2ST-37	Washer		1
38	JTJ2ST-38	Screw		1
	JTJ2ST-ID	ID Label (not shown)		1

JTJ-5ST and JTJ-10ST



Parts List for JTJ-5ST 5-Ton Toe Jack

Index No.	Part No.	Description	Size	Qty
1	JTJ5ST-01	Body		1
2	JTJ5ST-02	Safety Valve Screw		1
3	JTJ10ST-03	O-Ring	7.1x2.65mm	2
4	JTJ5ST-04	Safety Valve Spring		1
5	JTJ5ST-05	Ball Seat		1
6	SB-4MM	Steel Ball	4mm	1
7	JTJ5ST-07	Release Stem		1
8	SB-6MM	Steel Ball	6mm	1
9	JTJ5ST-09	Oil Fill Plug		1
10	SB-5MM	Steel Ball	5mm	2
11	JTJ5ST-11	Washer		1
12	JTJ5ST-12	Snap Ring		1
13	JTJ5ST-13	Snap Ring	34mm	1
14	JTJ5ST-14	Washer		1
15	JTJ5ST-15	O-Ring	35.5x4.6mm	1
16	JTJ5ST-16	Sealing Washer		1
17	JTJ5ST-17	Piston Ring		1
18	JTJ5ST-18	Ram		1
19	JTJ5ST-19	Toe		1
20	JTJ5ST-20	Snap Ring		1
21	JTJ5ST-21	Bushing		2
22	JTJ5ST-22	O-Ring	42.5x3.55mm	1
23	JTJ5ST-23	Return Spring		2
24	JTJ5ST-24	Copper Washer		2
25	JTJ5ST-25	Oil Valve Assembly		1
26	JTJ5ST-26	Nylon Gasket		1
27	JTJ5ST-27	Link Base		1
28	JTJ5ST-28	Pin		1
29	JTJ5ST-29	Pin		3
30	JTJ5ST-30	Pump Cylinder		1
31	JTJ10ST-31	O-Ring	6.6x3mm	1
32	JTJ5ST-32	Nylon Gasket		1
33	JTJ5ST-33	Dustproof Ring		1
34	JTJ5ST-34	Rod Joint		1
35	JTJ5ST-35	Pump Plunger		1
36	JTJ5ST-36	Pin		1
37	JTJ5ST-37	Pin		1
38	JTJ5ST-38	Handle Socket		1
39	JTJ5ST-39	Rear Handle		1
40	TS-2285302	Pan Head Screw	M5x30	1
41	JTJ10ST-41	Front Handle		1
42	TS-1550031	Flat Washer	M5	1
43	TS-2361051	Lock Washer	M5	1
44	TS-1540031	Hex Nut	M5	1
	JTJ5ST-ID	ID Label (not shown)		1

Parts List for JTJ-10ST 10-Ton Toe Jack

Index No.	Part No.	Description	Size	Qty
1	JTJ10ST-01	Body		1
2	JTJ10ST-02	Safety Valve Screw		1
3	JTJ10ST-03	O-Ring	7.1x2.65mm	2
4	JTJ10ST-04	Safety Valve Spring		1
5	JTJ10ST-05	Ball Seat		1
6	SB-4MM	Steel Ball	4mm	1
7	JTJ10ST-07	Release Stem		1
8	SB-6MM	Steel Ball	6mm	1
9	JTJ10ST-09	Oil Fill Plug		1
10	SB-5MM	Steel Ball	5mm	2
11	JTJ10ST-11	Washer		1
12	JTJ10ST-12	Snap Ring		1
13	JTJ10ST-13	Snap Ring	40mm	1
14	JTJ10ST-14	Washer		1
15	JTJ10ST-15	O-Ring	46.2x5.7mm	1
16	JTJ10ST-16	Sealing Washer		1
17	JTJ10ST-17	Piston Ring		1
18	JTJ10ST-18	Ram		1
19	JTJ10ST-19	Toe		1
20	JTJ10ST-20	Snap Ring		1
21	JTJ10ST-21	Bushing		2
22	JTJ10ST-22	O-Ring	51.5x4.6mm	1
23	JTJ10ST-23	Return Spring		2
24	JTJ10ST-24	Copper Washer		2
25	JTJ10ST-25	Oil Valve Assembly		1
26	JTJ10ST-26	Nylon Gasket		1
27	JTJ10ST-27	Link Base		1
28	JTJ10ST-28	Pin		1
29	JTJ10ST-29	Pin		3
30	JTJ10ST-30	Pump Cylinder		1
31	JTJ10ST-31	O-Ring	6.6x3mm	1
32	JTJ10ST-32	Nylon Gasket		1
33	JTJ10ST-33	Dustproof Ring		1
34	JTJ10ST-34	Rod Joint		1
35	JTJ10ST-35	Pump Plunger		1
36	JTJ10ST-36	Pin		1
37	JTJ10ST-37	Pin		1
38	JTJ10ST-38	Handle Socket		1
39	JTJ10ST-39	Rear Handle		1
40	TS-2285302	Pan Head Screw	M5x30	1
41	JTJ10ST-41	Front Handle		1
42	TS-1550031	Flat Washer	M5	1
43	TS-2361051	Lock Washer	M5	1
44	TS-1540031	Hex Nut	M5	1
	JTJ10ST-ID	ID Label (not shown)		1



WMH Tool Group
2420 Vantage Drive
Elgin, Illinois 60124
Phone: 800-274-6848
www.wmhtoolgroup.com